

## ***CONTINUED FROM PART 1***

### **INTRODUCTION**

In view of the recent amendment made in the Designs (Amendment) Rules, 2008 with effect from 17/06/2008, Publication of the matter relating to Designs is being published in the Official Journal of The Patent Office. This Journal is being published on weekly basis on every Friday covering the various proceedings on Designs as required according to the provisions of under Rule 22, 25, 27 and 39 of the Design (Amendment) Rules, 2008. All the enquiries on this Official Journal and other information as required by the public should be addressed to the Controller General of Patents, Designs & Trade Marks. Suggestions and comments are requested from all quarters so that the content can be enriched.

**CANCELLATION PROCEEDINGS**  
**under Section 19 of the Designs Act, 2000**

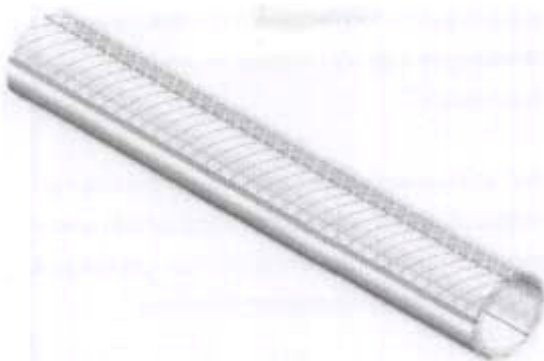

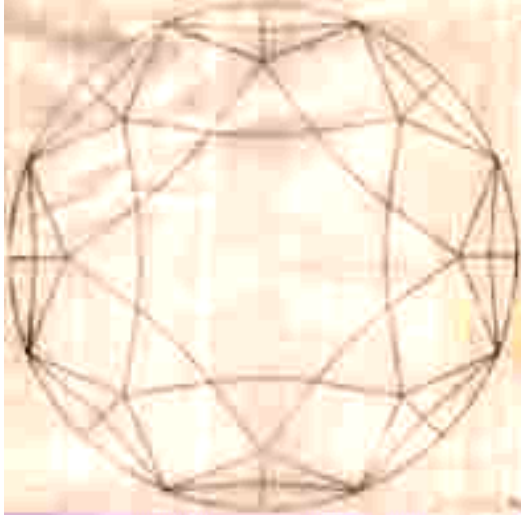
“The Asstt. Controller of Patents & Designs passed an order on 3/2/2010 to cancel the registration of registered Design No. **191774** dated 4/4/2003 under class 15-01 titled ‘Rod for Reinforcing Concrete’ in the name of **SRMB Udyog Limited**”.

**CANCELLATION PROCEEDINGS**  
**under Section 19(1) of the Designs Act, 2000 &**  
**Designs (Amendment) Rules, 2008**

“Monaa Hotels Pvt. Ltd. (Formerly known as Gasfuse India Limited) of Maneck Hall, 2 East Street, Pune-411001, Maharashtra, India has filed an application on 20/7/2009 for cancellation of registration of registered Design No. 217661 under class 23-03 titled as ‘Regulators’ in the name of Pole-Star Gasfuse Private Limited.”

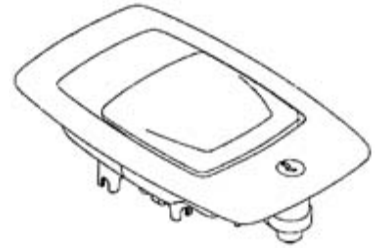
## REGISTRATION OF DESIGNS

The following designs have been registered. They are now open for public inspection. In the following each entry the Date of Registration is shown. The Priority Number, Priority Date and Priority Country are also shown.

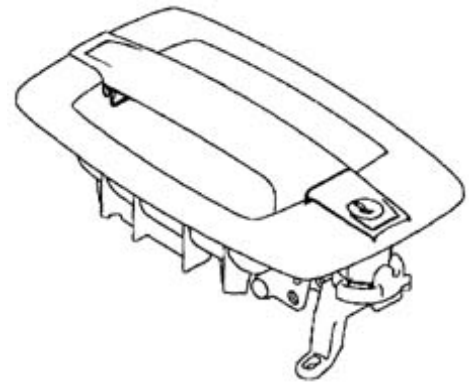
<b>Design Number</b>	214557	
<b>Class</b>	23-01	
<b>1)Toyox Co., Ltd.,</b> 4371, Maezawa, Kurobe-Shi, Toyama-Ken, Japan.		
<b>Date of Registration</b>	05/02/2008	
<b>Title</b>	Hose	
<b>Priority NA</b>		
<b>Design Number</b>	214691	
<b>Class</b>	12-16	
<b>1)VASEEM ABBAS.,</b> A-62, SECTOR-5, NOIDA-201301, UP, INDIA. <b>2)Vaseem Abbas.,</b>		
<b>Date of Registration</b>	13/02/2008	
<b>Title</b>	Vaporizer	
<b>Priority NA</b>		
<b>Design Number</b>	214695	
<b>Class</b>	12-01	
<b>1)Goenka Exports Limited</b> 1305, Panchratna, Opera House, Mumbai-400 004, Maharashtra, India.		
<b>Date of Registration</b>	13/02/2008	
<b>Title</b>	Diamond	
<b>Priority NA</b>		

<b>Design Number</b>	215956		
<b>Class</b>	23-02		
<b>1)Kohler Co.,</b> 444 Highland Drive, Kohler, Wisconsin 53044, Usa.			
<b>Date of Registration</b>	22/04/2008		
<b>Title</b>	Bathing Tub		
<b>Priority</b>			
Priority Number	Date	Country	
29/297,421	09/11/2007	U.S.A.	
<b>Design Number</b>	217984		
<b>Class</b>	23-02		
<b>1)Superflo Private Limited</b> 198/48, Ramesh Market (Garhi), East of Kailash, Near Sapna Cinema, New Delhi-110065, India			
<b>Date of Registration</b>	21/08/2008		
<b>Title</b>	Plastic Cistern		
<b>Priority NA</b>			
<b>Design Number</b>	218269		
<b>Class</b>	19-06		
<b>1)Indian Inhabitant</b> 603, Natasha Tower, Seven Bunglow, Andheri (West), Mumbai-400061			
<b>Date of Registration</b>	01/09/2008		
<b>Title</b>	Pen		
<b>Priority NA</b>			

<b>Design Number</b>	218424	
<b>Class</b>	08-06	
<b>1)Sout</b> 210N, Brinton Lake Road, P. O. Box 0116, Concordville, PA 19331-0116 United States		
<b>Date of Registration</b>	05/09/2008	
<b>Title</b>	Multi-Point Paddle Actuator	
<b>Priority</b>		
Priority Number	Date	Country
29/304,925	10/03/2008	U.S.A.



<b>Design Number</b>	218425	
<b>Class</b>	08-06	
<b>1)Southco, Inc.</b> 210N, Brinton Lake Road, P. O. Box 0116, Concordville, PA 19331-0116 United States		
<b>Date of Registration</b>	05/09/2008	
<b>Title</b>	Lever Actuator	
<b>Priority</b>		
Priority Number	Date	Country
29/304,926	10/03/2008	U.S.A.

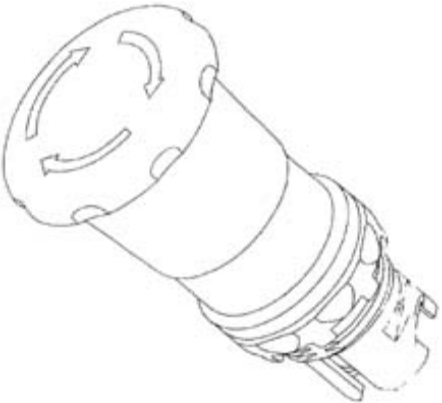


<b>Design Number</b>	218443	
<b>Class</b>	12-16	
<b>1)ADM 21 Co., Ltd.</b> 742-6, Wonsi-dong, Danwon-gu, Ansan-si, Gyeonggi-do, Korea		
<b>Date of Registration</b>	08/09/2008	
<b>Title</b>	Windshield Wiper Blade	
<b>Priority</b>		
Priority Number	Date	Country
30-2008-0032613	28/07/2008	Korea(South)




<b>Design Number</b>	218689	
<b>Class</b>	08-06	
<b>1)PMS Enterprise</b> 15/16, Samrat Industrial Area, B/H S. T. Workshop, Gondal Road, Rajkot-360004, Gujarat, India		
<b>Date of Registration</b>	23/09/2008	
<b>Title</b>	Handle	
<b>Priority NA</b>		
<b>Design Number</b>	218692	
<b>Class</b>	08-06	
<b>1)PMS Enterprise</b> 15/16, Samrat Industrial Area, B/H S. T. Workshop, Gondal Road, Rajkot-360004, Gujarat, India		
<b>Date of Registration</b>	23/09/2008	
<b>Title</b>	Handle	
<b>Priority NA</b>		
<b>Design Number</b>	218693	
<b>Class</b>	08-06	
<b>1)PMS Enterprise</b> 15/16, Samrat Industrial Area, B/H S. T. Workshop, Gondal Road, Rajkot-360004, Gujarat, India		
<b>Date of Registration</b>	23/09/2008	
<b>Title</b>	Handle	
<b>Priority NA</b>		


<b>Design Number</b>	219303	
<b>Class</b>	13-03	
<b>1)ABB AB</b> 721 83 Vasteras, Sweden		
<b>Date of Registration</b>	17/10/2008	
<b>Title</b>	Switch	
<b>Priority</b>		
Priority Number	Date	Country
000919949-0006	18/04/2008	OHIM




<b>Design Number</b>	219650	
<b>Class</b>	07-02	
<b>1)Asian Plastowares Pvt. Ltd.</b> Asian House, Plot No. D-7/1, Road No. 16, M.I.D.C., Andheri (E), Mumbai-400093 Maharashtra, India		
<b>Date of Registration</b>	12/11/2008	
<b>Title</b>	Casserole	
<b>Priority NA</b>		



<b>Design Number</b>	219746	
<b>Class</b>	09-03	
<b>1)Colgate-Pamolive Company</b> 300 Park Avenue, New York, NY 10022, USA		
<b>Date of Registration</b>	18/11/2008	
<b>Title</b>	Container	
<b>Priority</b>		
Priority Number	Date	Country
29/319,673	12/06/2008	U.S.A.




<b>Design Number</b>	219760		
<b>Class</b>	08-07		
<b>1)Deckel Maho Pfronten GmbH</b> Deckel-Maho-Strasse 1, 87459 Pfronten, Germany			
<b>Date of Registration</b>	19/11/2008		
<b>Title</b>	Smart-Key		
<b>Priority</b>			
Priority Number	Date	Country	
40 2008 002 443.5	19/05/2008	Germany	
<b>Design Number</b>	219811		
<b>Class</b>	06-06		
<b>1)M/s Nevil Interprise</b> 80 Feet Road, Behind K. Rasiklal, 5 Ramnagar, Rajkot-360 003, Gujarat State, India			
<b>Date of Registration</b>	21/11/2008		
<b>Title</b>	Sofa Leg		
<b>Priority NA</b>			
<b>Design Number</b>	219812		
<b>Class</b>	08-06		
<b>1)M/s Nevil Interprise</b> 80 Feet Road, Behind K. Rasiklal, 5 Ramnagar, Rajkot-360 003, Gujarat State, India			
<b>Date of Registration</b>	21/11/2008		
<b>Title</b>	Door Handle		
<b>Priority NA</b>			





<b>Design Number</b>	219867		
<b>Class</b>	12-15		
<b>1)Societe DE Technologie Michelin</b> 23, rue Breschet, FR-63000, Clermont-Ferrand, France <b>2)Michelin Recherche ET Technique, S. A.</b>			
<b>Date of Registration</b>	25/11/2008		
<b>Title</b>	Tyre		
<b>Priority</b>			
<b>Priority Number</b>	<b>Date</b>	<b>Country</b>	
08/2693	11/06/2008	France	
<b>Priority NA</b>			
<b>Priority</b>			
<b>Design Number</b>	219881		
<b>Class</b>	14-03		
<b>1)Nokia Corporation</b> Keilalahdentie 4, Fin-02150, Espoo Finland			
<b>Date of Registration</b>	26/11/2008		
<b>Title</b>	Handset		
<b>Priority NA</b>			
<b>Design Number</b>	220041		
<b>Class</b>	14-03		
<b>1)Motorola Inc.,</b> 1303 East Algonquin Road, Schaumburg, Illinois-60196, United States of America			
<b>Date of Registration</b>	05/12/2008		
<b>Title</b>	Communication Device		
<b>Priority NA</b>			

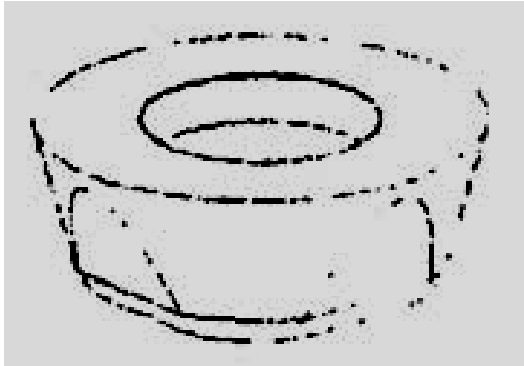
<b>Design Number</b>	220079	
<b>Class</b>	12-16	
<b>1)Clutch Auto Limited</b> 12/4 Mathura Road, Faridabad, Haryana-121003, India		
<b>Date of Registration</b>	10/12/2008	
<b>Title</b>	Clutch	
<b>Priority NA</b>		
<b>Design Number</b>	220080	
<b>Class</b>	12-16	
<b>1)Clutch Auto Limited</b> 12/4 Mathura Road, Faridabad, Haryana-121003, India		
<b>Date of Registration</b>	10/12/2008	
<b>Title</b>	Clutch	
<b>Priority NA</b>		
<b>Design Number</b>	220099	
<b>Class</b>	12-16	
<b>1)Mahindra &amp; Mahindra Ltd.</b> Gateway Building, Apollo Bunder, Mumbai 400001, Maharashtra, India		
<b>Date of Registration</b>	08/12/2008	
<b>Title</b>	Front Grille for Vehicles	
<b>Priority NA</b>		

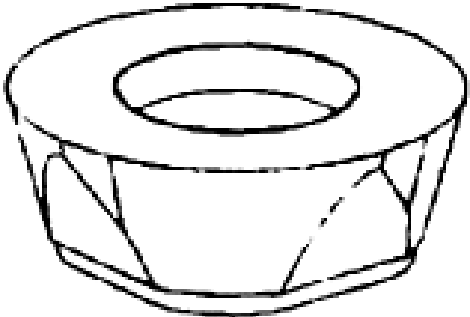
<b>Design Number</b>	220100	
<b>Class</b>	12-16	
<b>1)Mahindra &amp; Mahindra Ltd.</b> Gateway Building, Apollo Bunder, Mumbai 400001, Maharashtra, India		
<b>Date of Registration</b>	08/12/2008	
<b>Title</b>	Head Lamp for Vehicles	
<b>Priority NA</b>		

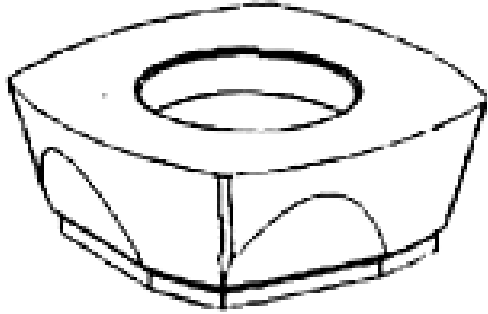
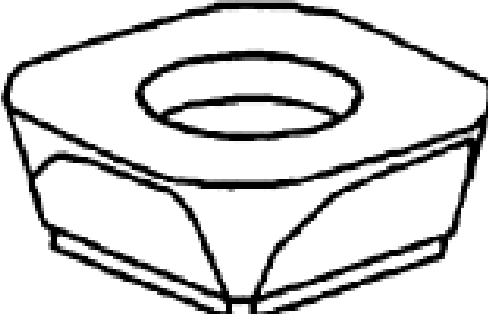

<b>Design Number</b>	220101	
<b>Class</b>	12-16	
<b>1)Mahindra &amp; Mahindra Ltd.</b> Gateway Building, Apollo Bunder, Mumbai 400001, Maharashtra, India		
<b>Date of Registration</b>	08/12/2008	
<b>Title</b>	Tail Lamp for Vehicles	
<b>Priority NA</b>		

<b>Design Number</b>	220102	
<b>Class</b>	12-16	
<b>1)Mahindra &amp; Mahindra Ltd.</b> Gateway Building, Apollo Bunder, Mumbai 400001, Maharashtra, India		
<b>Date of Registration</b>	08/12/2008	
<b>Title</b>	Door Trim for Vehicles	
<b>Priority NA</b>		

<b>Design Number</b>	220126	
<b>Class</b>	09-01	
<b>1)Parle Agro Private Limited</b> Western Express Highway, Andheri (East), Mumbai-400099, Maharashtra, India		
<b>Date of Registration</b>	10/12/2008	
<b>Title</b>	Bottle	
<b>Priority NA</b>		




<b>Design Number</b>	220211		
<b>Class</b>	08-03		
<b>1)Seco Tools AB</b> S-737 82 Fagersta, Sweden			
<b>Date of Registration</b>	15/12/2008		
<b>Title</b>	Cutting Inserts		
<b>Priority</b>			
Priority Number	Date	Country	
000958558	26/06/2008	OHIM	

<b>Design Number</b>	220213		
<b>Class</b>	08-03		
<b>1)Seco Tools AB</b> S-737 82 Fagersta, Sweden			
<b>Date of Registration</b>	15/12/2008		
<b>Title</b>	Cutting Inserts		
<b>Priority</b>			
Priority Number	Date	Country	
000958558	26/06/2008	OHIM	

<b>Design Number</b>	220214		
<b>Class</b>	08-03		
<b>1)Seco Tools AB</b> S-737 82 Fagersta, Sweden			
<b>Date of Registration</b>	15/12/2008		
<b>Title</b>	Cutting Inserts		
<b>Priority NA</b>			
<b>Design Number</b>	220216		
<b>Class</b>	08-03		
<b>1)Seco Tools AB</b> S-737 82 Fagersta, Sweden			
<b>Date of Registration</b>	15/12/2008		
<b>Title</b>	Cutting Inserts		
<b>Priority</b>			
Priority Number	Date	Country	
000958558	26/06/2008	OHIM	
<b>Design Number</b>	220217		
<b>Class</b>	08-03		
<b>1)Seco Tools AB</b> S-737 82 Fagersta, Sweden			
<b>Date of Registration</b>	15/12/2008		
<b>Title</b>	Cutting Inserts		
<b>Priority</b>			
Priority Number	Date	Country	
000958558	26/06/2008	OHIM	



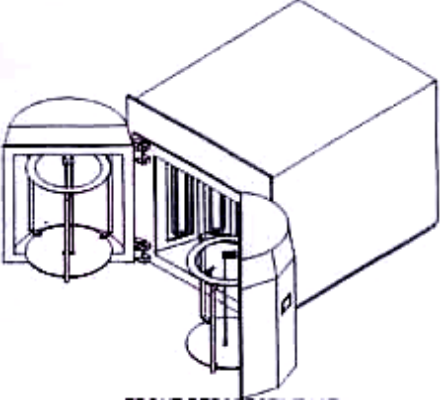
<b>Design Number</b>	220456	
<b>Class</b>	08-09	
<b>1)Prince Enterprise</b> 80 Feet Road, 5/8 Ramnagar Behind K. Rasiklal, 5 Ramnagar, Rajkot-360 003, Gujarat State, India		
<b>Date of Registration</b>	24/12/2008	
<b>Title</b>	Curtain Socket	
<b>Priority NA</b>		
<b>Design Number</b>	220457	
<b>Class</b>	08-08	
<b>1)Prince Enterprise</b> 80 Feet Road, 5/8 Ramnagar Behind K. Rasiklal, 5 Ramnagar, Rajkot-360 003, Gujarat State, India		
<b>Date of Registration</b>	24/12/2008	
<b>Title</b>	Curtain Socket	
<b>Priority NA</b>		
<b>Design Number</b>	220458	
<b>Class</b>	08-08	
<b>1)Prince Enterprise</b> 80 Feet Road, 5/8 Ramnagar Behind K. Rasiklal, 5 Ramnagar, Rajkot-360 003, Gujarat State, India		
<b>Date of Registration</b>	24/12/2008	
<b>Title</b>	Curtain Socket	
<b>Priority NA</b>		

<b>Design Number</b>	220459	
<b>Class</b>	08-06	
<b>1)Die-Cast Industries</b> Plot No. 209/210, N, Road, Aji G. I. D. C. Phase-II, Rajkot-360003, Gujarat State, India		
<b>Date of Registration</b>	24/12/2008	
<b>Title</b>	Handle	
<b>Priority NA</b>		
<b>Design Number</b>	220502	
<b>Class</b>	02-04	
<b>1)M/S M. Islam &amp;Company</b> 12/5, Ghair Kale Khan, Nai Ki Mandi, Agra (U.P.), India		
<b>Date of Registration</b>	26/12/2008	
<b>Title</b>	Sole of Footwear	
<b>Priority NA</b>		
<b>Design Number</b>	220621	
<b>Class</b>	11-01	
<b>1)Kim Krafts Pvt., Ltd.</b> 151, Ghitorni, Near M.C.D. School, Mehrauli - Gurgaon Road, New Delhi -110030, India		
<b>Date of Registration</b>	31/12/2008	
<b>Title</b>	Necklace & Ear-Rings Set	
<b>Priority NA</b>		

<b>Design Number</b>	220664	
<b>Class</b>	19-06	
<b>1)Prachi Writing Insutuments Private Limited</b> 59, Netaji Subhas Road, 3Rd Floor, Kolkata-700 001, Wb, India.		
<b>Date of Registration</b>	05/01/2009	
<b>Title</b>	Pen	
<b>Priority NA</b>		
<b>Design Number</b>	221271	
<b>Class</b>	13-03	
<b>1)Sony Enterprises</b> A-45, Nandikishore Industrial Estate, Off. Manakali Caves Road, Andheri (E) Mumbai-400093, India		
<b>Date of Registration</b>	17/02/2009	
<b>Title</b>	Extension Cord	
<b>Priority NA</b>		
<b>Design Number</b>	221272	
<b>Class</b>	13-03	
<b>1)Sony Enterprises</b> A-45, Nandikishore Industrial Estate, Off. Manakali Caves Road, Andheri (E) Mumbai-400093, India		
<b>Date of Registration</b>	17/02/2009	
<b>Title</b>	Calling Bell	
<b>Priority NA</b>		



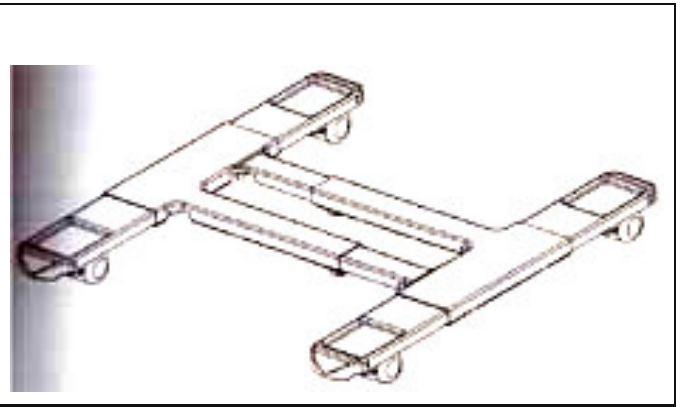
<b>Design Number</b>	222413	
<b>Class</b>	21-01	
<b>1)Gujranwala Cycle Industries</b> 39-R, Industrial Area-B, Ludhiana-141003, Punjab, India		
<b>Date of Registration</b>	16/04/2009	
<b>Title</b>	Rim For Toy Cycle	
<b>Priority NA</b>		
<b>Design Number</b>	222442	
<b>Class</b>	08-06	
<b>1)M/S. Marygo International</b> Plot No. G-1843, Kishan Gate Road, G.I.D.C. Metoda (Lodhika), Taluka-Lodhika, Dist.-Rajkot-360021, Gujarat, India		
<b>Date of Registration</b>	17/04/2009	
<b>Title</b>	Door Handle	
<b>Priority NA</b>		
<b>Design Number</b>	222473	
<b>Class</b>	06-00	
<b>1)Dhirajbhai Gordhanbhai Sagpariya</b> 80 Feet Road, 5/8 Ramnagar, Behind K. Rasiklal, Rajkot-360003, Gujarat, India		
<b>Date of Registration</b>	20/04/2009	
<b>Title</b>	Sofa Leg	
<b>Priority NA</b>		

<b>Design Number</b>	222495		
<b>Class</b>	08-06		
<b>1)M/S Die-Cast Industries</b> Plot No.209/210-C, N-Road, Aji G.I.D.C.Phase-II, Rajkot-360003 Gujarat India			
<b>Date of Registration</b>	20/04/2009		
<b>Title</b>	Handle		
<b>Priority NA</b>			
<b>Design Number</b>	222629		
<b>Class</b>	23-04		
<b>1)Daulat Ram Engineering Services (P) Ltd.</b> 7/5, Ankur Complex, Shivaji Nagar, Bhopal-562016, Madhya Pradesh, India			
<b>Date of Registration</b>	29/04/2009		
<b>Title</b>	Oil Cooling Blower		
<b>Priority NA</b>			
<b>Design Number</b>	222687		
<b>Class</b>	15-99		
<b>1)Ulvac, Inc.</b> 2500, Hagisono, Chigasaki-shi, Kanagawa 253-8543, Japan			
<b>Date of Registration</b>	30/04/2009		
<b>Title</b>	Film-Forming Apparatus		
<b>Priority</b>			
Priority Number	Date	Country	
2009-000103	06/01/2009	Japan	

<b>Design Number</b>	222786		
<b>Class</b>	07-02		
<b>1)M/s Stelco Overseas (P) Ltd.</b> R-11/B, Street No. 11, Anand Parvat Industrial Area, New Rohtak Road, New Delhi-110005			
<b>Date of Registration</b>	06/05/2009		
<b>Title</b>	Container		
<b>Priority NA</b>			
<b>Design Number</b>	222825		
<b>Class</b>	12-16		
<b>1)Perusahaan Otomobil Nasional SDN. BHD</b> Hicom Industrial Estate, Batu 3, 40000 Shah Alam, Selangor			
<b>Date of Registration</b>	08/05/2009		
<b>Title</b>	Meter Cluster For A Vehicle		
<b>Priority</b>			
<b>Priority Number</b>	<b>Date</b>	<b>Country</b>	
08-01536-0101	27/11/2008	Malaysia	
<b>Design Number</b>	222916		
<b>Class</b>	02-04		
<b>1)Hari Shankar Bahety</b> 32, Sadhna Enclave, Near MalviyaNagar, New Delhi 110017, India			
<b>Date of Registration</b>	19/05/2009		
<b>Title</b>	Footwear		
<b>Priority NA</b>			

<b>Design Number</b>	223010	
<b>Class</b>	13-03	
<b>1)Gold Medal Electrical Pvt. Ltd.</b> 22/23 Shubh Building Sagar Manthan Industrial Complex, Bhoidapada, Vasai (E), Thane -401 208		
<b>Date of Registration</b>	27/05/2009	
<b>Title</b>	Socket	
<b>Priority NA</b>		
<b>Design Number</b>	223011	
<b>Class</b>	14-03	
<b>1)Gold Medal Electrical Pvt. Ltd.</b> 22/23 Shubh Building Sagar Manthan Industrial Complex, Bhoidapada, Vasai (E), Thane -401 208		
<b>Date of Registration</b>	27/05/2009	
<b>Title</b>	Buzzer	
<b>Priority NA</b>		
<b>Design Number</b>	223034	
<b>Class</b>	13-03	
<b>1)Gold Medal Electrical Pvt. Ltd.</b> 22/23 Shubh Building Sagar Manthan Industrial Complex, Bhoidapada, Vasai (E), Thane -401 208		
<b>Date of Registration</b>	27/05/2009	
<b>Title</b>	Module Plate	
<b>Priority NA</b>		

<b>Design Number</b>	223114
<b>Class</b>	13-01
<b>1)Whirlpool of India Limited</b> Whirlpool House", Plot No.40, Gurgaon - 122 002, Haryana	
<b>Date of Registration</b>	01/06/2009
<b>Title</b>	Trolley
<b>Priority NA</b>	






<b>Design Number</b>	223145
<b>Class</b>	08-06
<b>1)Jay Time Industries</b> 6/4, Gokul Nagar, Opp. Harisharan Welding, Near Nathji Pan, 50feet Road, Rajkot -360002 Gujarat -India	
<b>Date of Registration</b>	03/06/2009
<b>Title</b>	Handle
<b>Priority NA</b>	




<b>Design Number</b>	223223
<b>Class</b>	21-01
<b>1)MA Design India Private Limited</b> C-26, Sector, 63, Noida-201301, U.P. India	
<b>Date of Registration</b>	08/06/2009
<b>Title</b>	Chess Board (Set)
<b>Priority NA</b>	



<b>Design Number</b>	223228	
<b>Class</b>	07-01	
<b>1)MA Design India Private Limited</b> C-26, Sector, 63, Noida-201301, U.P. India		
<b>Date of Registration</b>	08/06/2009	
<b>Title</b>	Bowl	
<b>Priority NA</b>		
<b>Design Number</b>	223229	
<b>Class</b>	07-01	
<b>1)MA Design India Private Limited</b> C-26, Sector, 63, Noida-201301, U.P. India		
<b>Date of Registration</b>	08/06/2009	
<b>Title</b>	Platter	
<b>Priority NA</b>		
<b>Design Number</b>	223236	
<b>Class</b>	11-02	
<b>1)MA Design India Private Limited</b> C-26, Sector, 63, Noida-201301, U.P. India		
<b>Date of Registration</b>	08/06/2009	
<b>Title</b>	Decorative Article	
<b>Priority NA</b>		

<b>Design Number</b>	223256	
<b>Class</b>	09-03	
<b>1)Emami Limited</b> Emami Tower, 687 Anandapur, EM Bypass, Kolkata 700 017, West Bengal, India		
<b>Date of Registration</b>	08/06/2009	
<b>Title</b>	Container	
<b>Priority NA</b>		
<b>Design Number</b>	223293	
<b>Class</b>	11-02	
<b>1)MA Design India Private Limited</b> C-26, Sector, 63, Noida -201301, U.P.India		
<b>Date of Registration</b>	10/06/2009	
<b>Title</b>	Decorative Article	
<b>Priority NA</b>		
<b>Design Number</b>	223344	
<b>Class</b>	13-03	
<b>1)Philips Electronics India Limited</b> 9th Floor, DLF-9B,DLF Cyber City, DLF Phase 3, Gurgaon-122 002, India		
<b>Date of Registration</b>	11/06/2009	
<b>Title</b>	Mount Grid Board Of Modular Switches	
<b>Priority NA</b>		

<b>Design Number</b>	223380	
<b>Class</b>	09-01	
<b>1)Emami Limited</b> "Emami Tower", 687 Anandapur, EM Bypass, Kolkata 700 017, West Bengal, India		
<b>Date of Registration</b>	12/06/2009	
<b>Title</b>	Bottle	
<b>Priority NA</b>		
<b>Design Number</b>	223381	
<b>Class</b>	09-03	
<b>1)Emami Limited</b> "Emami Tower", 687 Anandapur, EM Bypass, Kolkata 700 017, West Bengal, India		
<b>Date of Registration</b>	12/06/2009	
<b>Title</b>	Container	
<b>Priority NA</b>		
<b>Design Number</b>	223564	
<b>Class</b>	99-01	
<b>1)3M Innovative Properties Company</b> 3M Center, Saint Paul, Minnesota 55133-3427, U.S.A		
<b>Date of Registration</b>	26/06/2009	
<b>Title</b>	Cleaning Tool	
<b>Priority NA</b>		



<b>Design Number</b>	223714	
<b>Class</b>	07-01	
<b>1)Bluplast Industries Limited</b> 113/114, Vivek Industrial Estate, Uswala Road, Cama Estae, Goregaon (E), Mumbai-400063. (Maharashtra) India		
<b>Date of Registration</b>	09/07/2009	
<b>Title</b>	Serving Bowl	
<b>Priority NA</b>		
<b>Design Number</b>	224212	
<b>Class</b>	23-04	
<b>1)Achal Anil Bakeri</b> 415, Bodakdev, Ahmedabad 380 054 (Gujrat) India		
<b>Date of Registration</b>	06/08/2009	
<b>Title</b>	Air Cooler	
<b>Priority NA</b>		
<b>Design Number</b>	224326	
<b>Class</b>	13-03	
<b>1)Nestone Electronics Private Limited</b> 302, Ajanta Comm. Complex, Gondal Road, Rajkot-360 002. Gujrat, (India)		
<b>Date of Registration</b>	18/08/2009	
<b>Title</b>	Modular Switch Plat	
<b>Priority NA</b>		