

INTRODUCTION

In view of the recent amendment made in the Designs (Amendment) Rules, 2008 with effect from 17/06/2008, Publication of the matter relating to Designs is being published in the Official Journal of The Patent Office. This Journal is being published on weekly basis on every Friday covering the various proceedings on Designs as required according to the provisions of under Rule 22, 25, 27 and 39 of the Design (Amendment) Rules, 2008. All the enquiries on this Official Journal and other information as required by the public should be addressed to the Controller General of Patents, Designs & Trade Marks. Suggestions and comments are requested from all quarters so that the content can be enriched.

CANCELLATION PROCEEDINGS
under Section 19 of the Designs Act, 2000

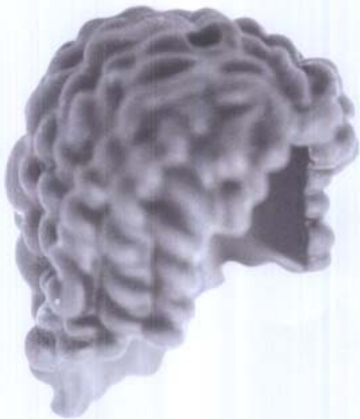
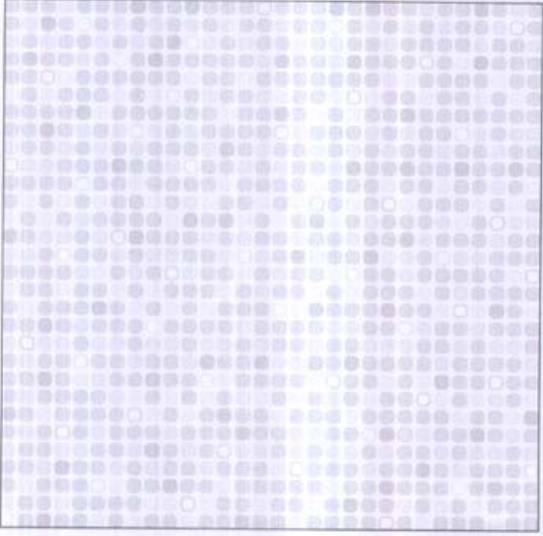

“The Asstt. Controller of Patents & Designs passed an order on 26/3/2013 to dismiss the petition for cancellation filed by Raajan Automobile (P) Limited, New No.54 (Old No.63) 2nd Street, Kamdhar Nagar, Nungambakkam, Chennai 600 034, Tamil Nadu, India, an Indian company on 22/3/2002 for cancellation of registration of registered Design No.182707 dated 23/6/2000 under Class 01 titled as ‘LPG Mini Reducer’ in the name of M/s. Officine Lovato S.P.A., Strada Casale, 175-36100 Vicenza (Italy)”


COPYRIGHT PUBLICATION

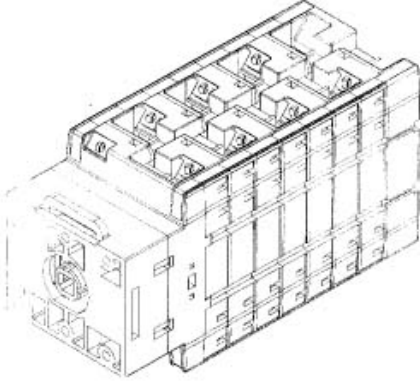
SL NO	CASE NUMBERS	RENEWED ON
1.	179918	24.01.2013
2.	190002	24.01.2013
3.	190003	24.01.2013
4.	238313	14.02.2013
5.	191249	18.02.2013
6.	191257	18.02.2013
7.	191258	18.02.2013
8.	191263	18.02.2013
9.	193602	18.02.2013
10.	193622	18.02.2013
11.	193888	18.02.2013
12.	191116	21.02.2013
13.	192472	21.02.2013
14.	192473	21.02.2013
15.	240297	21.02.2013
16.	244246	21.02.2013
17.	190642	22.02.2013
18.	191049	22.02.2013
19.	191292	22.02.2013
20.	192114	22.02.2013
21.	192236	22.02.2013
22.	192253	22.02.2013
23.	192462	22.02.2013
24.	192617	22.02.2013
25.	192643	22.02.2013
26.	192698	22.02.2013
27.	192704	22.02.2013
28.	192705	22.02.2013
29.	192706	22.02.2013
30.	193397	22.02.2013
31.	238601	22.02.2013

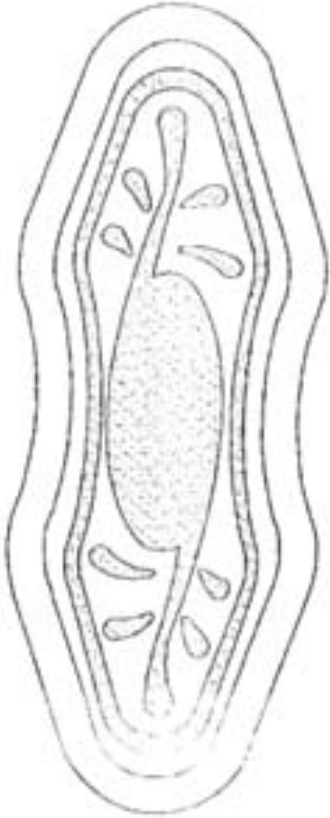
REGISTRATION OF DESIGNS

The following designs have been registered. They are now open for public inspection. In the following each entry the Date of Registration is shown. The Priority Number, Priority Date and Priority Country are also shown

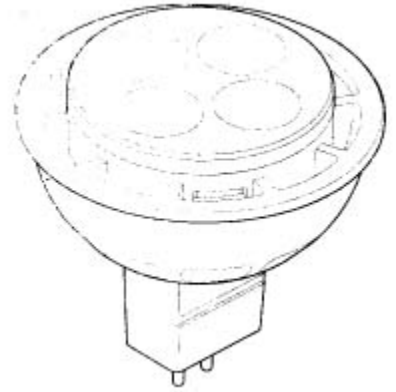
DESIGN NUMBER	241686		
CLASS	21-01		
1)LEGO A/S AASTVEJ 1, DK-7190 BILLUND, DENMARK			
DATE OF REGISTRATION	23/12/2011		
TITLE	TOY BUILDING BLOCK		
PRIORITY			
PRIORITY NUMBER	DATE	COUNTRY	
DM/076470	30/06/2011	WIPO	
DESIGN NUMBER	242506		
CLASS	05-06		
1)LG HAUSYS, LTD. 20, YEOUIDO-DONG, YEONGDEUNGPO-GU, SEOUL 150-721, REPUBLIC OF KOREA			
DATE OF REGISTRATION	25/01/2012		
TITLE	SHEET FOR VEHICLE SEATS		
PRIORITY			
PRIORITY NUMBER	DATE	COUNTRY	
KR 30-2011-0035441	25/08/2011	REPUBLIC OF KOREA	
DESIGN NUMBER	242584		
CLASS	07-03		
1)MUDITA MULL MULL BUILDINGS, 4, ASHOK MARG, LUCKNOW - 226001, INDIA			
DATE OF REGISTRATION	25/01/2012		
TITLE	SERVING SPOON		
PRIORITY NA			

DESIGN NUMBER	245279	
CLASS	24-02	
1)PHILIPS ELECTRONICS INDIA LIMITED, AN INDIAN COMPANY, INCORPORATED UNDER THE COMPANIES ACT, 1913 HAVING CORPORATE OFFICE AT DLF-9B, 9TH FLOOR, DLF CYBER CITY, DLF PHASE 3, GURGAON - 122022, INDIA		
DATE OF REGISTRATION	14/05/2012	
TITLE	CARTRIDGE FOR BILIRUBINOMETER	
PRIORITY NA		

DESIGN NUMBER	246690	
CLASS	13-03	
1)ABB OY, A COMPANY OF FINLAND OF STROMBERGINTIE 1, FI-00380 HELSINKI, FINLAND		
DATE OF REGISTRATION	24/07/2012	
TITLE	SWITCH	
PRIORITY		
PRIORITY NUMBER	DATE	COUNTRY
001990177	10/02/2012	OHIM

DESIGN NUMBER	243021	
CLASS	24-04	
1)MCNEIL-PPC, INC 199 GRANDVIEW ROAD, SKILLMAN, NJ 08558, USA		
DATE OF REGISTRATION	10/02/2012	
TITLE	SANITARY NAPKIN	
PRIORITY		
PRIORITY NUMBER	DATE	COUNTRY
29/399, 345	12/08/2011	U.S.A.

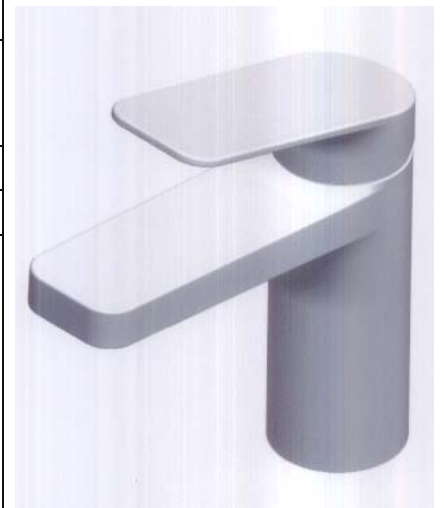
DESIGN NUMBER	244698	
CLASS	26-04	
1)KONINKLIJKE PHILIPS ELECTRONICS N.V. GROENEWOUDSEWEG 1, 5621 B A, EINDHOVEN, THE NETHERLANDS		
DATE OF REGISTRATION	19/04/2012	
TITLE	SOLID STATE SPOTLIGHT	
PRIORITY		
PRIORITY NUMBER	DATE	COUNTRY
001934936-0002	19/10/2011	OHIM



DESIGN NUMBER	244794	
CLASS	28-03	
1)KONINKLIJKE PHILIPS ELECTRONICS N.V. GROENEWOUDSEWEG 1, 5621 B A, EINDHOVEN, THE NETHERLANDS		
DATE OF REGISTRATION	25/04/2012	
TITLE	STYLER FOR SHAVER	
PRIORITY		
PRIORITY NUMBER	DATE	COUNTRY
001938283-0001	26/10/2011	OHIM



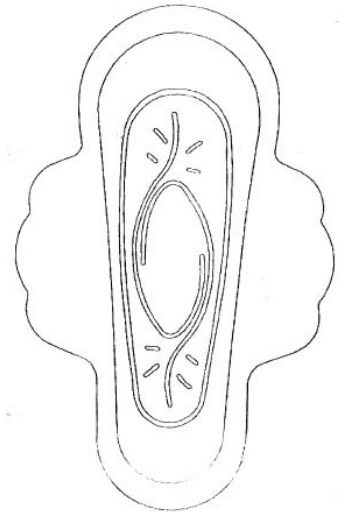
DESIGN NUMBER	241900	
CLASS	23-01	
1)TOTO LTD., 1-1, NAKASHIMA 2-CHOME, KOKURAKITA-KU, KITAKYUSHU-SHI, FUKUOKA, 802-8601, JAPAN		
DATE OF REGISTRATION	28/12/2011	
TITLE	FAUCET	
PRIORITY NA		



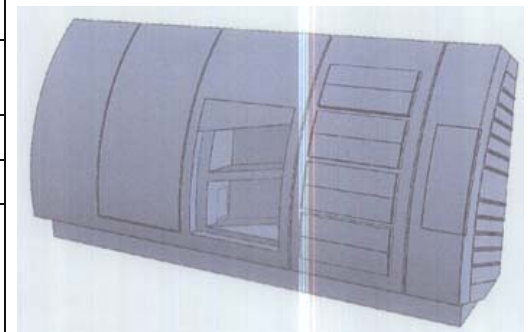
DESIGN NUMBER	240429	
CLASS	06-03	
1)LIFETIME PRODUCTS, INC., P.O. BOX 160010, FREEPORT CENTER BUILDING D-11, CLEARFIELD, UTAH 84016, USA		
DATE OF REGISTRATION	25/10/2011	
TITLE	TABLE TOP	
PRIORITY		
PRIORITY NUMBER	DATE	COUNTRY
29/390, 471	25/04/2011	U.S.A.




DESIGN NUMBER	243022	
CLASS	24-04	
1)MCNEIL-PPC, INC 199 GRANDVIEW ROAD, SKILLMAN, NJ 08558, USA		
DATE OF REGISTRATION	10/02/2012	
TITLE	SANITARY NAPKIN	
PRIORITY		
PRIORITY NUMBER	DATE	COUNTRY
29/399, 344	12/08/2011	U.S.A.

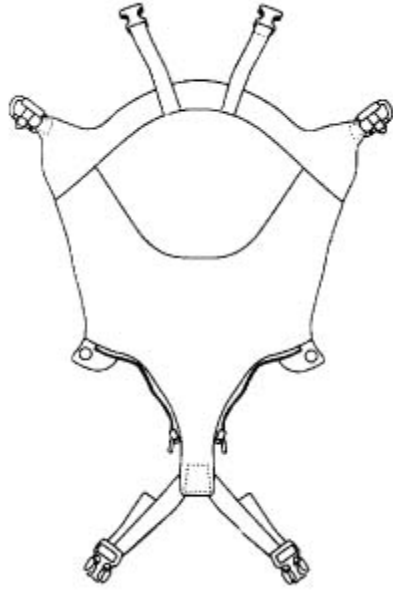


DESIGN NUMBER	246157	
CLASS	15-09	
1)GIESECKE & DEVRIENT GMBH, PRINZREGENTENSTRASSE 159, 81677 MUNICH, GERMANY		
DATE OF REGISTRATION	25/06/2012	
TITLE	BANK NOTE PROCESSING MACHINE	
PRIORITY		
PRIORITY NUMBER	DATE	COUNTRY
001307664-0004	23/12/2011	EUROPEAN UNION



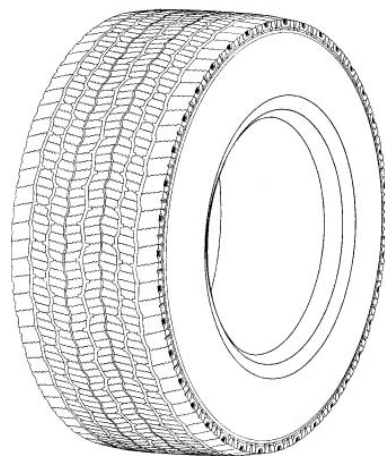
DESIGN NUMBER	242580	
CLASS	07-06	
1)MUDITA MULL MULL BUILDINGS, 4, ASHOKE MARG, LUCKNOW - 226001, INDIA		
DATE OF REGISTRATION	25/01/2012	
TITLE	OLIVE SHAPE DISH	
PRIORITY NA		

DESIGN NUMBER	246623	
CLASS	26-04	
1)PRUDENT SYSTEMS PVT. LTD., C/O. RAKESH KUMAR SINGH, 302/27, ADITYA NAGAR, INDORE, MADHYA PRADESH, PIN-452001, INDIA, AN INDIAN COMPANY		
DATE OF REGISTRATION	20/07/2012	
TITLE	LED BULB	
PRIORITY NA		

DESIGN NUMBER	246730		
CLASS	03-99		
1)STOKKE AS, A NORWEGIAN COMPANY OF HAHJEM, NO-6260, SKODGE, NORWAY			
DATE OF REGISTRATION	26/07/2012		
TITLE	REAR SEAT FOR CARRYING BABIES		
PRIORITY			
PRIORITY NUMBER	DATE	COUNTRY	
20120098	31/01/2012	NORWAY	

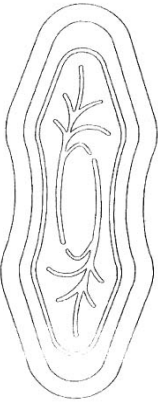
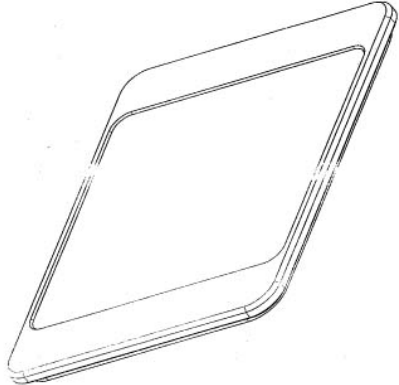
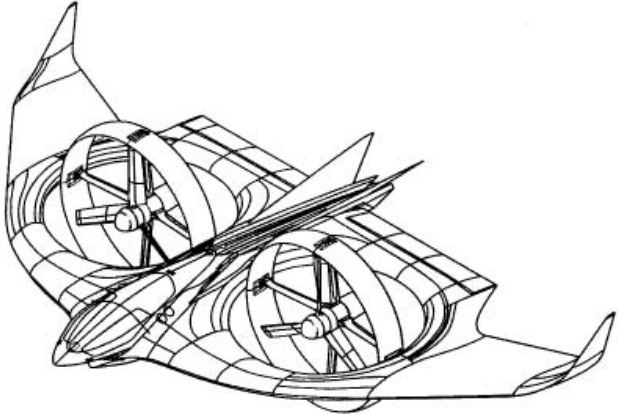
DESIGN NUMBER	244384	
CLASS	24-99	
1)DR. VINEET VASHISHTHA MISHRA 401, GHB COMPLEX, OPP. ICICI BANK, ANKUR CROSS ROAD, NARAYANPURA, AHMEDABAD-380013, GUJARAT, INDIA		
DATE OF REGISTRATION	03/04/2012	
TITLE	VITRIFICATION STICK	
PRIORITY NA		

DESIGN NUMBER	232017	
CLASS	12-15	
1)MICHELIN RECHERCHE ET TECHNIQUE, S.A., ROUTE LOUIS BRAILLE 10 ET 12, CH-1763 GRANGES-PACCOT, SWITZERLAND		
DATE OF REGISTRATION	15/10/2010	
TITLE	TIRE TREAD	
PRIORITY		
PRIORITY NUMBER	DATE	COUNTRY
29/359, 795	15/04/2010	U.S.A.

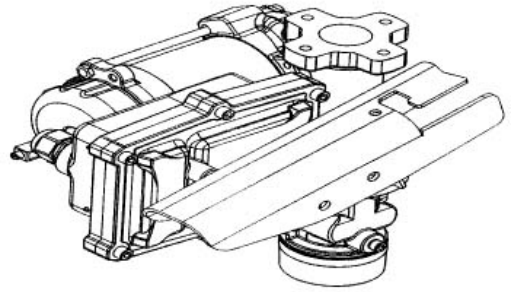


DESIGN NUMBER	242852	
CLASS	12-15	
1)BRIDGESTONE BANDAG, LLC 2000 BANDAG DRIVE, MUSCATINE, IOWA 52761, USA		
DATE OF REGISTRATION	06/02/2012	
TITLE	TIRE TREAD	
PRIORITY		
PRIORITY NUMBER	DATE	COUNTRY
29/398930	08/08/2011	U.S.A.

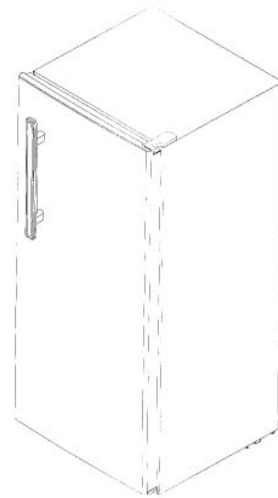


DESIGN NUMBER	243020		
CLASS	24-04		
1)MCNEIL-PPC, INC 199 GRANDVIEW ROAD, SKILLMAN, NJ 08558, USA			
DATE OF REGISTRATION	10/02/2012		
TITLE	SANITARY NAPKIN		
PRIORITY			
PRIORITY NUMBER	DATE	COUNTRY	
29/399, 346	12/08/2011	U.S.A.	
DESIGN NUMBER			
CLASS	13-03		
1)SIMON, S.A. DIPUTACION 390-392, 08013 BARCELONA, SPAIN			
DATE OF REGISTRATION	19/04/2012		
TITLE	FRAME FOR ELECTRONIC DEVICE		
PRIORITY			
PRIORITY NUMBER	DATE	COUNTRY	
1298608-0001	20/10/2011	OHIM	
DESIGN NUMBER	242660		
CLASS	12-07		
1)AGUSTAWESTLAND S.P.A. SAMARATE (ITALY) - FRAZIONE CASCINA COSTA - VIA GIOVANNI AGUSTA, 520			
DATE OF REGISTRATION	30/01/2012		
TITLE	AIRCRAFT		
PRIORITY			
PRIORITY NUMBER	DATE	COUNTRY	
1287205-0001	29/07/2011	OHIM	

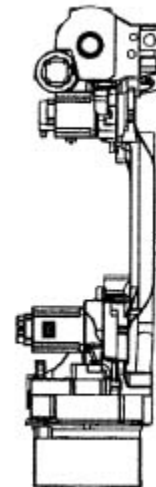
DESIGN NUMBER	244459	
CLASS	15-02	
1)PIUSI S.P.A. VIA PACINOTTI, 16/A-Z.1. RANGAVINO. 46029 SUZZARA (PROV. OF MANTOVA)-ITALY		
DATE OF REGISTRATION	04/04/2012	
TITLE	PUMP	
PRIORITY		
PRIORITY NUMBER	DATE	COUNTRY
001928433	06/10/2011	OHIM



DESIGN NUMBER	242160	
CLASS	15-07	
1)HEFEI MIDEA RONGSHIDA REFRIGERATOR CO., LTD. NO. 669, WEST CHANGJIANG ROAD, HEFEI, ANHUI, 230601, CHINA		
DATE OF REGISTRATION	09/01/2012	
TITLE	REFRIGERATOR	
PRIORITY		
PRIORITY NUMBER	DATE	COUNTRY
201130250814.8	28/07/2011	CHINA



DESIGN NUMBER	245377	
CLASS	15-99	
1)KABUSHIKI KAISHA YASKAWA DENKI A JAPANESE COMPANY OF THE ADDRESS: 2-1, KUROSAKI-SHIROISHI, YAHATANISHI-KU, KITAKYUSHU-SHI, FUKUOKA 806-0004, JAPAN		
DATE OF REGISTRATION	16/05/2012	
TITLE	ROBOT	

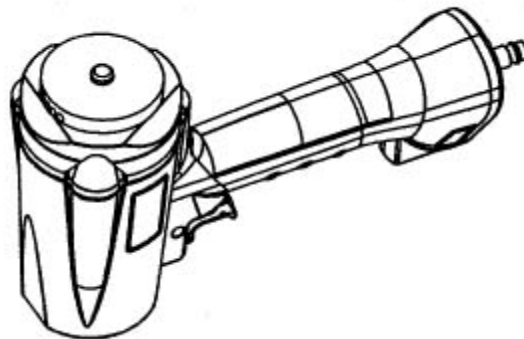


PRIORITY NA		
--------------------	--	--

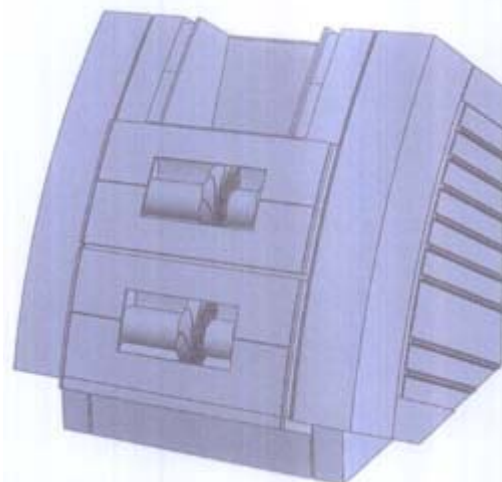
DESIGN NUMBER	247161	
CLASS	21-01	
1)FERRARI S.P.A., AN ITALIAN JOINT STOCK COMPANY OF VIA EMILIA EST 1163, I-41100, MODENA (ITALY)		
DATE OF REGISTRATION	14/08/2012	
TITLE	TOY CAR	
PRIORITY		
PRIORITY NUMBER	DATE	COUNTRY
001993254	16/02/2012	OHIM



DESIGN NUMBER	239122	
CLASS	15-99	
1)JOHN. FRIEDRICH BEHRENS AG BONGENSTRASSE 43-45 D-22926 AHRENSBURG, GERMANY		
DATE OF REGISTRATION	02/09/2011	
TITLE	COMPONENT OF A NAIL FIXING MACHINE	
PRIORITY		
PRIORITY NUMBER	DATE	COUNTRY
001830324-0003	03/03/2011	OHIM



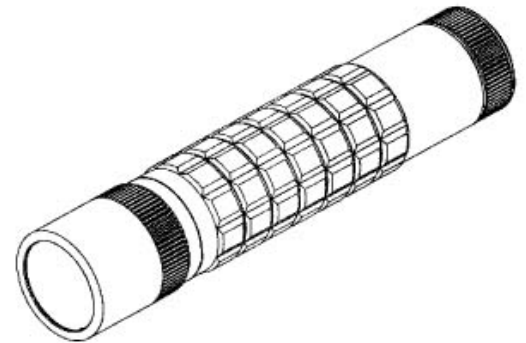
DESIGN NUMBER	246158	
CLASS	15-09	
1)GIESECKE & DEVRIENT GMBH, PRINZREGENTENSTRASSE 159, 81677 MUNICH, GERMANY		
DATE OF REGISTRATION	25/06/2012	
TITLE	BANK NOTE PROCESSING MACHINE	
PRIORITY		
PRIORITY NUMBER	DATE	COUNTRY
001307664-0005	23/12/2011	EUROPEAN UNION



DESIGN NUMBER	238408	
CLASS	09-03	
1)LYNX CONSULTING B.V.B.A., SINT-MICHELSTRAAT 13, B-3020 HERENT, BELGIUM		
DATE OF REGISTRATION	28/07/2011	
TITLE	BOX	
PRIORITY		
PRIORITY NUMBER	DATE	COUNTRY
1823352-0001	18/02/2011	OHIM



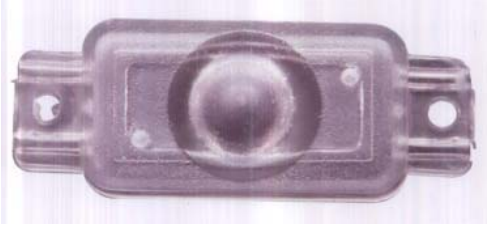
DESIGN NUMBER	244674	
CLASS	26-02	
1)MAG INSTRUMENT, INC. 2001 SOUTH HELLMAN AVENUE, ONTARIO, CALIFORNIA 91761, UNITED STATES OF AMERICA		
DATE OF REGISTRATION	18/04/2012	
TITLE	FLASHLIGHT	
PRIORITY		
PRIORITY NUMBER	DATE	COUNTRY
29/404, 369	19/10/2011	U.S.A.



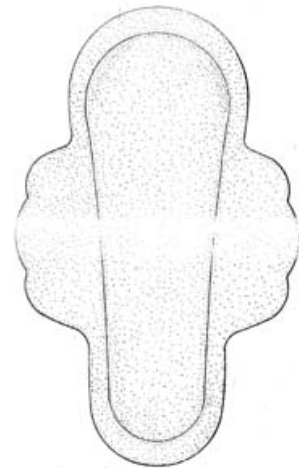
DESIGN NUMBER	226655	
CLASS	02-02	
1)COLUMBIA SPORTSWEAR NORTH AMERICA, INC 14375 NW SCIENCE PARK DRIVE, OR 97229, UNITED STATES OF AMERICA		
DATE OF REGISTRATION	04/01/2010	
TITLE	APPAREL	

PRIORITY		
PRIORITY NUMBER	DATE	COUNTRY
29/340, 641	22/07/2009	U.S.A.

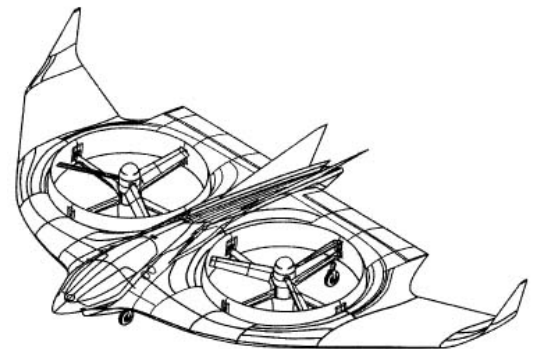


DESIGN NUMBER	246615		
CLASS	09-03		
1) ALOK SINGH & VANDANA SINGH (DIRECTOR), NATIONALITY INDIAN TRADING AS SUNRISE EMBEDDED SOLUTIONS PVT. LTD. (THIS IS A PROPRIETORSHIP FIRM) WHOSE ADDRESS IS B-30, IIND FLOOR, RAM NAGAR, OM VIHAR, UTTAM NAGAR, NEW DELHI-110059 (INDIA)			
DATE OF REGISTRATION	20/07/2012		
TITLE	LIGHT EMITTING DIODE (LED) CASING		
PRIORITY NA			
DESIGN NUMBER	238103		
CLASS	07-01		
1) BONJOUR INTERNATIONAL 15 UA JAWAHAR NAGAR, DELHI-110007, INDIA.,			
DATE OF REGISTRATION	18/07/2011		
TITLE	VACUUM FLASK SET		
PRIORITY NA			
DESIGN NUMBER	242781		
CLASS	23-02		
1) MASCO CORPORATION OF INDIANA 55 EAST 111TH STREET, INDIANAPOLIS, INDIANA 46280			
DATE OF REGISTRATION	01/02/2012		
TITLE	SOAP DISPENSER		
PRIORITY			
PRIORITY NUMBER	DATE	COUNTRY	
29/400, 519	30/08/2011	U.S.A.	

DESIGN NUMBER	243019	
CLASS	24-04	
1)MCNEIL-PPC, INC 199 GRANDVIEW ROAD, SKILLMAN, NJ 08558, USA		
DATE OF REGISTRATION	10/02/2012	
TITLE	SANITARY NAPKIN	
PRIORITY		
PRIORITY NUMBER	DATE	COUNTRY
29/399, 347	12/08/2011	U.S.A.



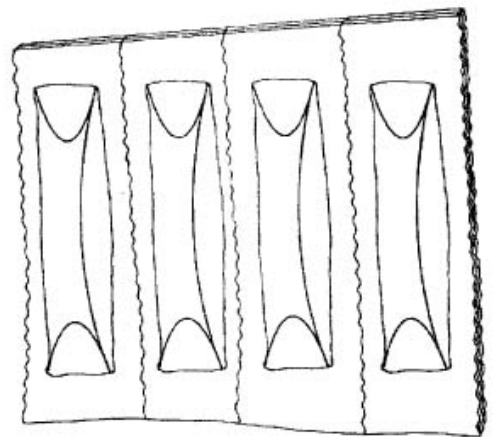
DESIGN NUMBER	242661	
CLASS	12-07	
1)AGUSTAWESTLAND S.P.A. SAMARATE (ITALY) - FRAZIONE CASCINA COSTA - VIA GIOVANNI AGUSTA, 520		
DATE OF REGISTRATION	30/01/2012	
TITLE	AIRCRAFT	
PRIORITY		
PRIORITY NUMBER	DATE	COUNTRY
1287205-0002	29/07/2011	OHIM



DESIGN NUMBER	246835	
CLASS	23-02	
1)HSIL LIMITED BAHADURGARH-124507, DT: JHAJJAR, HARYANA, INDIA, AN INDIAN COMPANY		
DATE OF REGISTRATION	31/07/2012	
TITLE	URINAL POT	
PRIORITY NA		



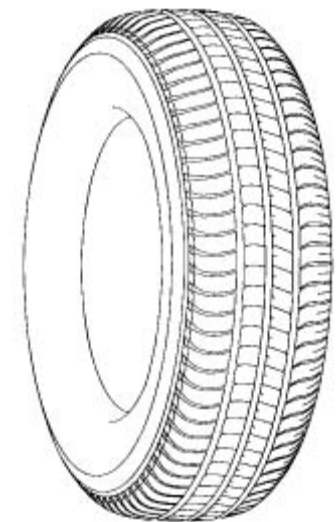
DESIGN NUMBER	240602	
CLASS	09-05	
1)TWOPAC AB., PER HAKANSSONS VAG 36, SE-241 38 ESLOV, SWEDEN		
DATE OF REGISTRATION	04/11/2011	
TITLE	PACKAGING	
PRIORITY		
PRIORITY NUMBER	DATE	COUNTRY
29/373, 679	09/05/2011	U.S.A.



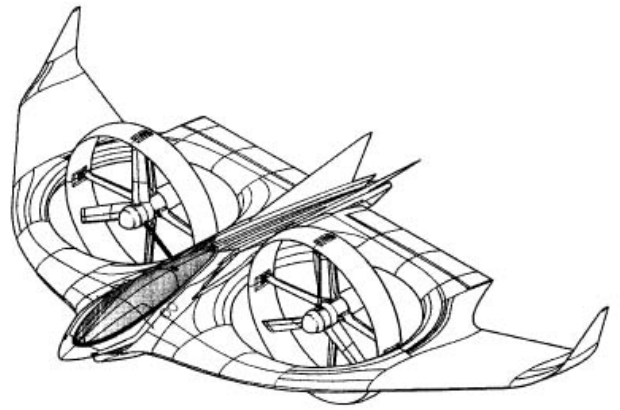
DESIGN NUMBER	244858	
CLASS	12-08	
1)HONDA MOTOR CO. LTD. 1-1, MINAMI-AOYAMA 2-CHOME, MINATO-KU, TOKYO, 107-8556, JAPAN		
DATE OF REGISTRATION	27/04/2012	
TITLE	CAR	
PRIORITY		
PRIORITY NUMBER	DATE	COUNTRY
2011-025151	31/10/2011	JAPAN



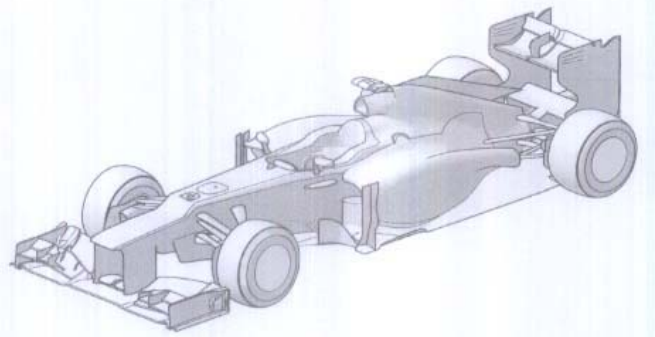
DESIGN NUMBER	245411	
CLASS	12-15	
1)BRIDGESTONE CORPORATION, A JAPANESE COMPANY ORGANIZED AND EXISTING UNDER THE LAWS OF JAPAN, MANUFACTURES AND MERCHANTS, OF 10-1, KYOBASHI 1-CHOME, CHUO-KU, TOKYO 104-8340, JAPAN		
DATE OF REGISTRATION	17/05/2012	
TITLE	TIRE TREAD	
PRIORITY		
PRIORITY NUMBER	DATE	COUNTRY
JP2011-26616	17/11/2011	JAPAN



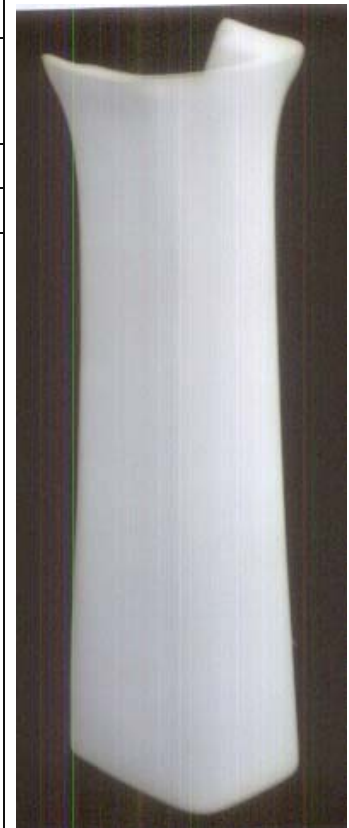
DESIGN NUMBER	242662	
CLASS	12-07	
1)AGUSTAWESTLAND S.P.A. SAMARATE (ITALY) - FRAZIONE CASCINA COSTA - VIA GIOVANNI AGUSTA, 520		
DATE OF REGISTRATION	30/01/2012	
TITLE	AIRCRAFT	
PRIORITY		
PRIORITY NUMBER	DATE	COUNTRY
1287205-0004	29/07/2011	OHIM



DESIGN NUMBER	246610	
CLASS	12-08	
1)FERRARI S.P.A., AN ITALIAN JOINT STOCK COMPANY OF VIA EMILIA EST 1163, I-41100, MODENA (ITALY)		
DATE OF REGISTRATION	19/07/2012	
TITLE	RACING CAR	
PRIORITY		
PRIORITY NUMBER	DATE	COUNTRY
001985011	02/02/2012	OHIM

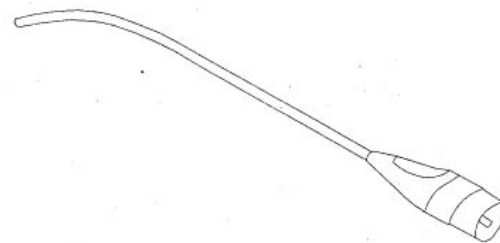


DESIGN NUMBER	246837	
CLASS	23-02	
1)HSIL LIMITED BAHADURGARH-124507, DT: JHAJJAR, HARYANA, INDIA, AN INDIAN COMPANY		
DATE OF REGISTRATION	31/07/2012	
TITLE	PEDESTAL OF WASH BASIN	

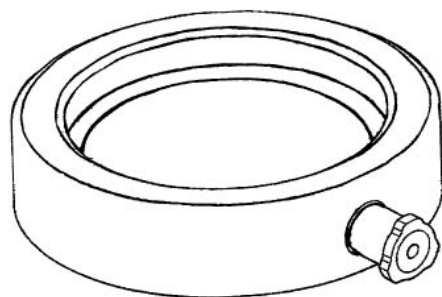


PRIORITY NA		
--------------------	--	--

DESIGN NUMBER	240223	
CLASS	24-01	
1)ETHICON ENDO-SURGERY, INC., 4545 CREEK ROAD, CINCINNATI, OH 45242, USA.,		
DATE OF REGISTRATION	13/10/2011	
TITLE	ELECTRICAL CONNECTOR FOR SURGICAL INSTRUMENT	
PRIORITY		
PRIORITY NUMBER	DATE	COUNTRY
29/392, 033	17/05/2011	U.S.A.



DESIGN NUMBER	244516	
CLASS	25-02	
1)INNOVATIVE MINING PRODUCTS (PTY) LTD. 109 ADCOCK INGRAM AVENUE, AEROTON, JOHANNESBURG, SOUTH AFRICA		
DATE OF REGISTRATION	09/04/2012	
TITLE	HYDRAULICALLY INFLATABLE PRELOAD DEVICE	
PRIORITY		
PRIORITY NUMBER	DATE	COUNTRY
A2011/01638	07/10/2011	SOUTH AFRICA



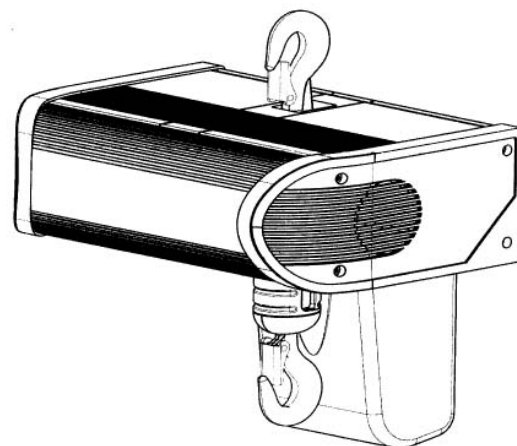
DESIGN NUMBER	244549	
CLASS	09-01	
1)SAVERGLASS 3 RUE DE LA GARE, 60960 FEUQUIERES, FRANCE		
DATE OF REGISTRATION	10/04/2012	
TITLE	BOTTLE	
PRIORITY		
PRIORITY NUMBER	DATE	COUNTRY
001297188-0001	11/10/2011	OHIM



DESIGN NUMBER	247609	
CLASS	12-11	
1)HONDA MOTOR CO., LTD., A JAPANESE CORPORATION, OF 1-1, MINAMI-AOYAMA 2-CHOME, MINATO-KU, TOKYO, JAPAN		
DATE OF REGISTRATION	04/09/2012	
TITLE	FRONT COVER FOR MOTORCYCLE	
PRIORITY		
PRIORITY NUMBER	DATE	COUNTRY
2012-005264	08/03/2012	JAPAN



DESIGN NUMBER	242779	
CLASS	12-05	
1)KONECRANES PLC KONEENKATU 8, 05830 HYVINKÄÄ, FINLAND		
DATE OF REGISTRATION	01/02/2012	
TITLE	HOIST FOR LIFTING OR LOWERING	
PRIORITY		
PRIORITY NUMBER	DATE	COUNTRY
001940537-0001	31/10/2011	EUROPEAN UNION



DESIGN NUMBER	247966	
CLASS	09-01	
1)HINDUSTAN UNILEVER LIMITED, A COMPANY INCORPORATED UNDER THE INDIAN COMPANIES ACT, 1913, HAVING ITS REGISTERED OFFICE AT UNILEVER HOUSE, B. D. SAWANT MARG, CHAKALA, ANDHERI (EAST), MUMBAI 400099, STATE OF MAHARASHTRA, INDIA		
DATE OF REGISTRATION	17/09/2012	
TITLE	CONTAINER	
PRIORITY		
PRIORITY NUMBER	DATE	COUNTRY
29/416,348	21/03/2012	U.S.A.



DESIGN NUMBER	244736
CLASS	08-07
1)M/S. KRISHNA ART & CO. LARIYA CHOWKI, JAIGANJ, ALIGARH (U.P.), INDIA	
DATE OF REGISTRATION	23/04/2012
TITLE	LOCK
PRIORITY NA	

