

INTRODUCTION

In view of the recent amendment made in the Designs (Amendment) Rules, 2008 with effect from 17/06/2008, Publication of the matter relating to Designs is being published in the Official Journal of The Patent Office. This Journal is being published on weekly basis on every Friday covering the various proceedings on Designs as required according to the provisions of under Rule 22, 25, 27 and 39 of the Design (Amendment) Rules, 2008. All the enquiries on this Official Journal and other information as required by the public should be addressed to the Controller General of Patents, Designs & Trade Marks. Suggestions and comments are requested from all quarters so that the content can be enriched.

COPYRIGHT PUBLICATION

SL NO	CASE NUMBERS	RENEWED ON
1.	181060	31.10.2013
2.	193156	12.11.2013
3.	193157	12.11.2013
4.	193158	12.11.2013
5.	193159	12.11.2013
6.	193282	31.10.2013
7.	193362	12.11.2013
8.	193363	12.11.2013
9.	193364	12.11.2013
10.	193365	12.11.2013
11.	193661	31.10.2013
12.	194849	13.11.2013
13.	194850	13.11.2013
14.	194851	13.11.2013
15.	194852	13.11.2013




THE DESIGNS ACT 2000
SECTION 30
DESIGN ASSIGNMENT


The Design stands in the name of LONZA AG registered under the Designs Act, 2000 has been assigned in the Register of Designs in the name as follows:-


Design No.	Class	Name
235382, 235383	24-01	LONZA BIOLOGICS PLC (A COMPANY INCORPORATED & EXISTING UNDER THE LAWS OF UNITED KINGDOM) OF 228-230 BATH ROAD, SLOUGH, SL 1 4DX, UNITED KINGDOM, UNITED KINGDOM COMPANY


REGISTRATION OF DESIGNS

The following designs have been registered. They are now open for public inspection. In the following each entry the Date of Registration is shown. The Priority Number, Priority Date and Priority Country are also shown

DESIGN NUMBER	253136	
CLASS	09-07	
1)NAYASA WORLD OF SURVEY NO. 655/1C NEAR SOMNANATH CO.OP.SOCIETY, DABHEL NANI DAMAN, DAMAN-396310, (UNION TERRITORIES) DAMAN, INDIA, INDIAN PARTNERSHIP FIRM, WHOSE PARTNERS ARE RUPA SACHDEV, MANASI SACHDEV & KISHOR MALIK, ALL INDIAN NATIONALS		
DATE OF REGISTRATION	12/04/2013	
TITLE	CAP FOR BOTTLE	
PRIORITY NA		
DESIGN NUMBER	250512	
CLASS	31-00	
1)M/S. V.V. ELECTRO SYSTEMS, REPRESENTED BY ITS SOLE PROPRIETRIX K.SULOCHANA, INDIAN NATIONAL, CARRYING ON BUSINESS AT G. N. T. ROAD, PEDHIKUPPAM, GUMMIDIPOONDI-601201, THIRUVALLUR DISTRICT, INDIA		
DATE OF REGISTRATION	28/12/2012	
TITLE	FRUIT RIPENING MACHINE	
PRIORITY NA		
DESIGN NUMBER	250344	
CLASS	15-99	
1)THE BEST HYDRAULIC EQUIPMENTS, 2991, GALI CHAKKI WALI, RAM NAGAR, MORI GATE, DELHI-110006, INDIA. (AN INDIAN PROPRIETORSHIP FIRM WHOSE PROPRIETOR IS :- SMT. ANURADHA MEHTA. AN INDIAN NATIONAL OF THE ABOVE ADDRESS		
DATE OF REGISTRATION	20/12/2012	
TITLE	OIL TANK FOR HYDRAULIC JACKS FOR AUTOMOBILES	
PRIORITY NA		

DESIGN NUMBER	246465		
CLASS	08-05		
1)RAJASTHAN ABRASIVES PVT. LTD. OF F-282, BHAMASHAH INDUSTRIAL AREA, RICCO, KALADWAS, UDAIPUR-313011 (RAJASTHAN), INDIA, AN INDIAN PRIVATE LIMITED COMPANY WHOSE DIRECTOR IS DHARMENDRA DAVE, INDIAN OF ABOVE ADDRESS			
DATE OF REGISTRATION	11/07/2012		
TITLE	ABRASIVE DISC		
PRIORITY NA			
DESIGN NUMBER	250884		
CLASS	23-03		
1)(1) HAIER GROUP CORPORATION, A COMPANY INCORPORATED UNDER THE LAWS OF CHINA, ADDRESS AT, HAIER INDUSTRIAL PARK, NO. 1 HAIER ROAD, HI-TECH ZONE, LAOSHAN, QINGDAO, SHANDONG 266101, CHINA., AND (2) QINGDAO ECONOMIC AND TECHNOLOGICAL DEVELOPMENT DISTRICT HAIER WATER HEATER CO., LTD., A COMPANY INCORPORATED UNDER THE LAWS OF CHINA, ADDRESS AT HAIER INDUSTRIAL PARK, NO.1 HAIER ROAD, HI-TECH ZONE, LAOSHAN, QINGDAO, SHANDONG 266101, CHINA			
DATE OF REGISTRATION	09/01/2013		
TITLE	INSTANT WATER HEATER		
PRIORITY			
PRIORITY NUMBER	DATE	COUNTRY	
201230522227.4	30/10/2012	CHINA	
DESIGN NUMBER	251528		
CLASS	12-11		
1)BAJAJ AUTO LIMITED, AN INDIAN COMPANY, INCORPORATED UNDER THE COMPANIES ACT OF 1956, HAVING ITS PRINCIPAL PLACE OF BUSINESS AT NEW 2ND & 3RD FLOOR, KHIVRAJ BUILDING, NO. 616, ANNASALAI, CHENNAI - 600006, STATE OF TAMIL NADU, INDIA, AND REGISTERED OFFICE AT AKURDI, PUNE-411035, STATE OF MAHARASHTRA, INDIA			
DATE OF REGISTRATION	08/02/2013		
TITLE	SIDE FAIRING OUTER FLAP FOR MOTORCYCLE		
PRIORITY NA			

DESIGN NUMBER	253498	
CLASS	09-01	
1)NAYASA WORLD OF SURVEY NO. 655/1C NEAR SOMNANATH CO.OP.SOCIETY, DABEL NANI DAMAN, DAMAN-396310, (UNION TERRITORIES) DAMAN, INDIA, INDIAN PARTNERSHIP FIRM, WHOSE PARTNERS ARE RUPA SACHDEV, MANASI SACHDEV & KISHOR MALIK, ALL INDIAN NATIONALS		
DATE OF REGISTRATION	29/04/2013	
TITLE	BOTTLE	
PRIORITY NA		

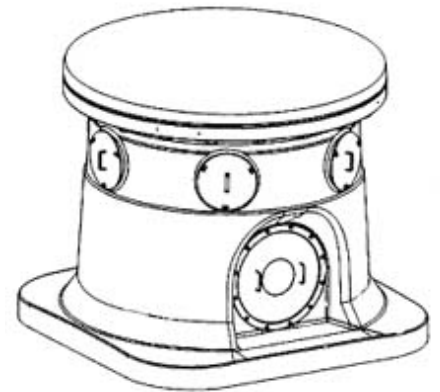
DESIGN NUMBER	253521	
CLASS	13-03	
1)GOLD MEDAL ELECTRICALS PVT. LTD. A COMPANY REGISTERED UNDER COMPANY ACT 1956 WHOSE ADDRESS IS, A/302, KEMP PLAZA, MIND SPACE, OFF LINK ROAD, CHINCHOLI BUNDER, MALAD (WEST), MUMBAI-400064, MAHARASHTRA, INDIA		
DATE OF REGISTRATION	30/04/2013	
TITLE	SWITCH COVER PLATE	
PRIORITY NA		

DESIGN NUMBER	248694	
CLASS	13-03	
1)PHOENIX CONTACT GMBH & CO. KG; OF FLACHSMARKTSTR. 8, 32825 BLOMBERG, GERMANY, A GERMAN COMPANY		
DATE OF REGISTRATION	11/10/2012	
TITLE	ELECTRONIC TIMER RELAY	
PRIORITY		
PRIORITY NUMBER	DATE	COUNTRY
002024372	12/04/2012	EUROPEAN UNION

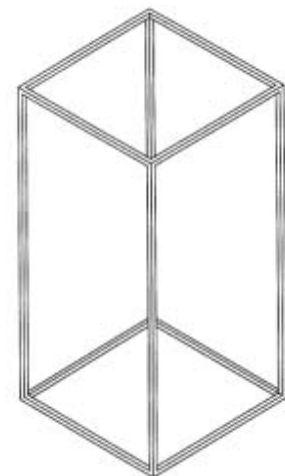
DESIGN NUMBER	250793	
CLASS	21-01	
1)MAN TRUCK & BUS AG, A GERMAN COMPANY OF DACHAUER STR. 667, 80995 MUNICH, GERMANY		
DATE OF REGISTRATION	04/01/2013	
TITLE	DRIVER'S CAB OF A TOY UTILITY VEHICLE	
PRIORITY		
PRIORITY NUMBER	DATE	COUNTRY
001335236	04/07/2012	OHIM



DESIGN NUMBER	249337	
CLASS	15-09	
1)SANDVIK INTELLECTUAL PROPERTY AB, A SWEDISH COMPANY OF SE-811 81 SANDVIKEN, SWEDEN		
DATE OF REGISTRATION	08/11/2012	
TITLE	CRUSHING APPARATUS	
PRIORITY		
PRIORITY NUMBER	DATE	COUNTRY
001325377-0002	08/05/2012	OHIM



DESIGN NUMBER	249128	
CLASS	26-05	
1)FLOS S.P.A., AN ITALIAN COMPANY, VIA A. FAINI, 2, I-25073 BOVEZZO, BRESCIA, ITALY.		
DATE OF REGISTRATION	31/10/2012	
TITLE	LAMP	
PRIORITY		
PRIORITY NUMBER	DATE	COUNTRY
BS2012O000019	14/09/2012	ITALY



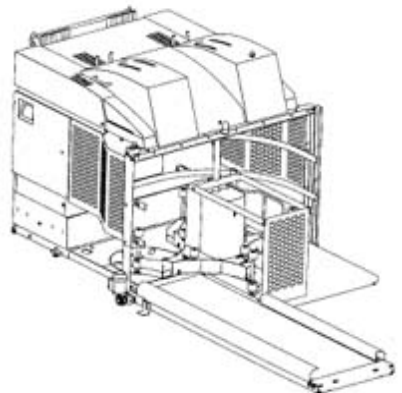
DESIGN NUMBER	249213	
CLASS	09-02	
1)DART INDUSTRIES INC., A CORPORATION FOUNDED UNDER THE LAWS OF DELAWARE, U.S.A. OF 14901 SOUTH ORANGE BLOSSOM TRAIL, ORLANDO, FLORIDA 32837, USA		
DATE OF REGISTRATION	02/11/2012	
TITLE	STORAGE CONTAINER	
PRIORITY		
PRIORITY NUMBER	DATE	COUNTRY
29/421,119	24/05/2012	U.S.A.





DESIGN NUMBER	252729	
CLASS	09-01	
1)NAYASA POLYPLAST OF G-9 UDYOG NAGAR O.I.D.C. RINGANVADA NANI DAMAN, DAMAN-396210, INDIA, INDIAN PARTNERSHIP FIRM, WHOSE PARTNERS ARE DINESH LAXMINARAYAN MALIK & MANASI SACHDEV, ALL INDIAN NATIONALS		
DATE OF REGISTRATION	01/04/2013	
TITLE	BOTTLE	
PRIORITY NA		



DESIGN NUMBER	247462	
CLASS	15-06	
1)RIETER INGOLSTADT GMBH, A GERMAN COMPANY OF FRIEDRICH-EBERT-STRASSE 84, 85055 INGOLSTADT, GERMANY		
DATE OF REGISTRATION	28/08/2012	
TITLE	DRAWING FRAME FOR DRAFTING FIBERS	
PRIORITY		
PRIORITY NUMBER	DATE	COUNTRY
40 2012 100 130.2	29/02/2012	GERMANY

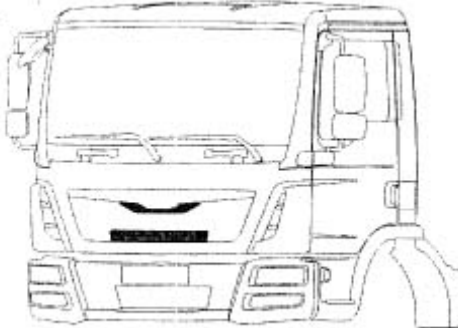



DESIGN NUMBER	251480	
CLASS	15-99	
1)KLAD ON DESIGN PVT LTD, HAVING PLACE OF BUSINESS AT- #5&6, SURVEY NO 38/2, NADAKERAPPA INDUSTRIAL ESTATE, ANDRAHALLI MAIN ROAD, NEAR PEENYA 2ND STAGE, BANGALORE-560091		
DATE OF REGISTRATION	07/02/2013	
TITLE	MACHINE ENCLOSURE FOR CENTER LESS GRINDING MACHINE	
PRIORITY NA		


DESIGN NUMBER	251524	
CLASS	12-11	
1)BAJAJ AUTO LIMITED, AN INDIAN COMPANY, INCORPORATED UNDER THE COMPANIES ACT OF 1956, HAVING ITS PRINCIPAL PLACE OF BUSINESS AT NEW 2ND & 3RD FLOOR, KHIVRAJ BUILDING, NO. 616, ANNASALAI, CHENNAI - 600006, STATE OF TAMIL NADU, INDIA, AND REGISTERED OFFICE AT AKURDI, PUNE-411035, STATE OF MAHARASHTRA, INDIA		
DATE OF REGISTRATION	08/02/2013	
TITLE	LOWER SIDE FAIRING FOR MOTORCYCLE	
PRIORITY NA		

DESIGN NUMBER	253509	
CLASS	07-04	
1)(1) BAVALAL V. LIMBASIYA (2) NIRMALABEN SURESHBHAI LIMBASIYA (3) VASHRAMBHAI CHAKABHAI LIMBASIYA ALL INDIAN NATIONAL PARTNERS OF SURYODAY INDUSTRIES AN INDIAN PARTNERSHIP FIRM HAVING ITS PRINCIPAL PLACE OF BUSINESS AT MIRA UDHYOG, PLOT NO. 120, AJI RING ROAD, RAJKOT		
DATE OF REGISTRATION	29/04/2013	
TITLE	VEGETABLE CUTTER	
PRIORITY NA		

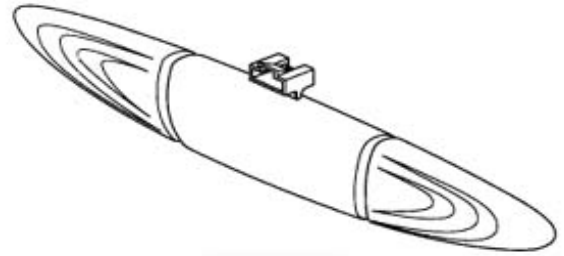
DESIGN NUMBER	253591	
CLASS	12-16	
1)DR. ING. H.C.F. PORSCHE AKTIENGESELLSCHAFT, A GERMAN COMPANY OF PORSCHEPLATZ 1, 70435 STUTTGART, GERMANY		
DATE OF REGISTRATION	01/05/2013	
TITLE	WHEEL RIM	
PRIORITY NA		

DESIGN NUMBER	250601	
CLASS	12-08	
1)MAN TRUCK & BUS AG, A GERMAN COMPANY OF DACHAUER STR. 667, 80995 MÜNICH, GERMANY		
DATE OF REGISTRATION	03/01/2013	
TITLE	DRIVERS CAB OF A UTILITY VEHICLE	
PRIORITY		
PRIORITY NUMBER	DATE	COUNTRY
001335236	04/07/2012	OHIM

DESIGN NUMBER	253856	
CLASS	13-03	
1)AJANTA LIMITED, AN INDIAN COMPANY OF ORPAT INDUSTRIAL ESTATE, RAJKOT-MORBI HIGHWAY, MORBI 363641, STATE OF GUJARAT, INDIA		
DATE OF REGISTRATION	15/05/2013	
TITLE	INDICATOR	
PRIORITY NA		

DESIGN NUMBER	254003	
CLASS	02-02	
1)SWASTIKA GARMENTS, 4, RAMKUMAR RAKSHIT LANE, KOLKATA-700007, WEST BENGAL, INDIA, AN INDIAN PROPRIETORSHIP FIRM WHOSE PROPRIETOR IS BRIJGOPAL MUNDHARA, AN INDIAN OF THE ABOVE ADDRESS		
DATE OF REGISTRATION	21/05/2013	
TITLE	GARMENT	
PRIORITY NA		
		
DESIGN NUMBER	249357	
CLASS	23-01	
1)BEIJING KOHLER LTD., A CORPORATION ORGANIZED AND EXISTING UNDER THE LAWS OF CHINA, OF NO. 27 WEST GUO YUAN ROAD, BEIJING, MIYUN COUNTY 101500, CHINA P.R.		
DATE OF REGISTRATION	09/11/2012	
TITLE	FAUCET	
PRIORITY		
PRIORITY NUMBER	DATE	COUNTRY
201230180853.X	11/05/2012	CHINA
		
DESIGN NUMBER	249403	
CLASS	19-06	
1)EUROPE BRANDS S.A.R.L., 412F, ROUTE D'ESCH, L-2086, LUXEMBOURG		
DATE OF REGISTRATION	09/11/2012	
TITLE	REFILL FOR A WRITING INSTRUMENT	
PRIORITY		
PRIORITY NUMBER	DATE	COUNTRY
001325898	11/05/2012	OHIM
		

DESIGN NUMBER	249459	
CLASS	23-02	
1)RECKITT BENCKISER LLC, A LIMITED LIABILITY COMPANY INCORPORATED IN THE STATE OF DELAWARE, U.S.A. OF MORRIS CORPORATE CENTER IV, 399 INTERPACE PARKWAY, PARSIPPANY, NEW JERSEY 07054, U.S.A.		
DATE OF REGISTRATION	14/11/2012	
TITLE	DISPENSER	
PRIORITY		
PRIORITY NUMBER	DATE	COUNTRY
002041608	15/05/2012	OHIM




DESIGN NUMBER	253052	
CLASS	05-05	
1)M/S. BIBA APPARELS PRIVATE LIMITED, AN INDIAN PRIVATE LIMITED COMPANY INCORPORATED UNDER THE PROVISION OF THE COMPANIES ACT, 1956, AND HAVING ITS'S REGISTERED OFFICE AT RELIABLE HOUSE, SITUATED AT HANUMAN SILK MILL COMPOUND, KANJURMARG (WEST), OPP. HUMA MALL, MUMBAI-400078 MAHARASHTRA, INDIA		
DATE OF REGISTRATION	11/04/2013	
TITLE	TEXTILE FABRIC	
PRIORITY NA		

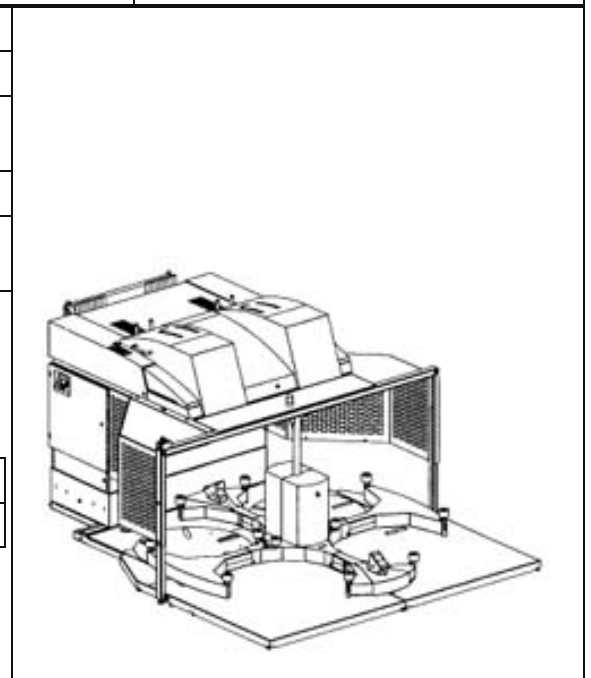


DESIGN NUMBER	248216	
CLASS	06-01	
1)NILKAMAL LIMITED OF SURVEY NO. - 354/2 & 354/3, NEAR RAKHOLI BRIDGE, SILVASSA - KHANVEL ROAD, VILLAGE VASONA, SILVASSA (D & N. H.), (U. T.), INDIA, INDIAN COMPANY		
DATE OF REGISTRATION	27/09/2012	
TITLE	CHAIR	
PRIORITY NA		



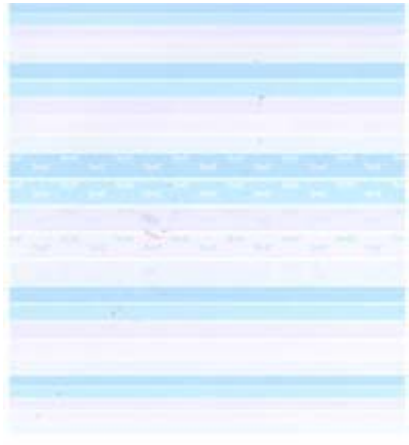
DESIGN NUMBER	253771	
CLASS	23-02	
1)JUPITER AQUALINES LIMITED, D-192, INDUSTRIAL AREA, PHASE VIII B, S.A.S. NAGAR-MOHALI-160071- PUNJAB, INDIA, NATIONALITY: INDIAN		
DATE OF REGISTRATION	09/05/2013	
TITLE	FLUSH COCK	
PRIORITY NA		


DESIGN NUMBER	247465	
CLASS	15-06	
1)RIETER INGOLSTADT GMBH, A GERMAN COMPANY OF FRIEDRICH-EBERT-STRASSE 84, 85055 INGOLSTADT, GERMANY		
DATE OF REGISTRATION	28/08/2012	
TITLE	DRAWING FRAME FOR DRAFTING FIBERS	
PRIORITY		
PRIORITY NUMBER	DATE	COUNTRY
40 2012 100 130.2	29/02/2012	GERMANY





DESIGN NUMBER	251527
CLASS	12-11
1)BAJAJ AUTO LIMITED, AN INDIAN COMPANY, INCORPORATED UNDER THE COMPANIES ACT OF 1956, HAVING ITS PRINCIPAL PLACE OF BUSINESS AT NEW 2ND & 3RD FLOOR, KHIVRAJ BUILDING, NO. 616, ANNASALAI, CHENNAI - 600006, STATE OF TAMIL NADU, INDIA, AND REGISTERED OFFICE AT AKURDI, PUNE-411035, STATE OF MAHARASHTRA, INDIA	
DATE OF REGISTRATION	08/02/2013
TITLE	FUELTANK COVER ASSEMBLY FOR MOTORCYCLE
PRIORITY NA	

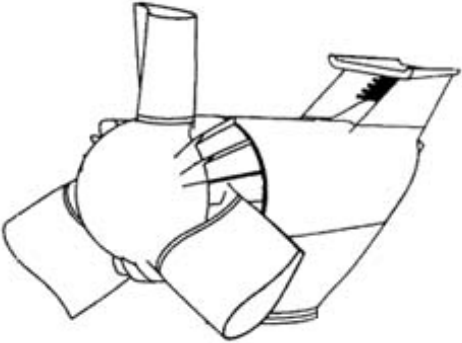



DESIGN NUMBER	227482	
CLASS	06-13	
1)GODREJ & BOYCE MFG. CO. LTD., PIROJSHANAGAR, VIKHROLI, MUMBAI-400 079, MAHARASHTRA, INDIA		
DATE OF REGISTRATION	25/02/2010	
TITLE	BEDSHEET	
PRIORITY NA		

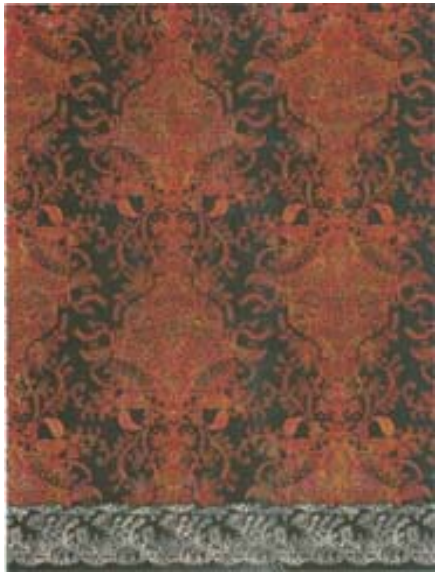


DESIGN NUMBER	248528	
CLASS	26-02	
1)LALIT JAIN PROPRIETOR OF M/S GEE LIGHTING TECHNOLOGY, WHOSE ADDRESS IS 3026/D, GALI NO.-4A, RANJEET NAGAR, NEW DELHI-110008. AND WHOSE NATIONALITY IS INDIAN		
DATE OF REGISTRATION	10/10/2012	
TITLE	SOLAR LANTERN	
PRIORITY NA		


DESIGN NUMBER	250610	
CLASS	12-08	
1)MAN TRUCK & BUS AG, A GERMAN COMPANY OF DACHAUER STR. 667, 80995 MÜNICH, GERMANY		
DATE OF REGISTRATION	03/01/2013	
TITLE	DRIVERS CAB OF A UTILITY VEHICLE	
PRIORITY		
PRIORITY NUMBER	DATE	COUNTRY
001335236	04/07/2012	OHIM


DESIGN NUMBER	251734	
CLASS	09-01	
1)NAYASA WORLD OF SURVEY NO. 655/1C NEAR SOMNANATH CO.OP.SOCIETY, DABHEL NANI DAMAN, DAMAN-396310, (UNION TERRITORIES) DAMAN, INDIA, INDIAN PARTNERSHIP FIRM, WHOSE PARTNERS ARE RUPA SACHDEV, MANASI SACHDEV & KISHOR MALIK, ALL INDIAN NATIONALS		
DATE OF REGISTRATION	18/02/2013	
TITLE	BOTTLE	
PRIORITY NA		

DESIGN NUMBER	249491	
CLASS	13-01	
1)YOUWINENERGY GMBH, A COMPANY ORGANIZED AND EXISTING UNDER THE LAWS OF GERMANY, HAVING ITS OFFICE AT RUDOLF-DIESEL-STR. 9, D-26135 OLDENBURG, ALEMANIA, GERMANY		
DATE OF REGISTRATION	15/11/2012	
TITLE	NACELLE OF WIND TURBINE	
PRIORITY		
PRIORITY NUMBER	DATE	COUNTRY
002042218-0002	15/05/2012	OHIM

DESIGN NUMBER	253287	
CLASS	06-01	
1)PARAMJEET SINGH, SOLE PROPRIETOR OF P. S. BALLOWAL ENTERPRISES, WHOSE ADDRESS IS 63/9 & 10, RAMA ROAD INDUSTRIAL AREA, NAJAFGARH ROAD, OPP. KIRTI NAGAR, METRO STATION, NEW DELHI-110015, INDIA AN INDIAN NATIONAL OF ABOVE ADDRESS		
DATE OF REGISTRATION	22/04/2013	
TITLE	CHAIR	
PRIORITY NA		

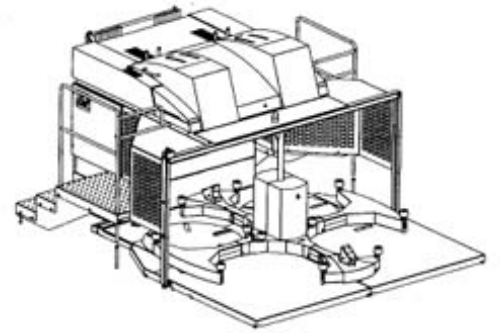
DESIGN NUMBER	253050	
CLASS	05-05	
1)M/S. BIBA APPARELS PRIVATE LIMITED, AN INDIAN PRIVATE LIMITED COMPANY INCORPORATED UNDER THE PROVISION OF THE COMPANIES ACT, 1956, AND HAVING ITS'S REGISTERED OFFICE AT RELIABLE HOUSE, SITUATED AT HANUMAN SILK MILL COMPOUND, KANJURMARG (WEST), OPP. HUMA MALL, MUMBAI-400078 MAHARASHTRA, INDIA		
DATE OF REGISTRATION	11/04/2013	
TITLE	TEXTILE FABRIC	
PRIORITY NA		
DESIGN NUMBER	248342	
CLASS	08-99	
1)VIPULBHAI PREMJBHAI RAMOLIYA AN INDIAN NATIONAL SOLE PROPRIETOR OF K. B. STEEL AN INDIAN PROPRIETORSHIP FIRM HAVING ITS PRINCIPAL PLACE OF BUSINESS AT SHIVAM INDUSTRIAL AREA, B/H. RIDHDHI-SIDHDHI SOCIETY, NEAR HARSODA FOUNDRY, NEAR SANTHIYA POOL, KOTHARIYA, RAJKOT, GUJARAT-INDIA		
DATE OF REGISTRATION	03/10/2012	
TITLE	SHOW-PIECE	
PRIORITY NA		
DESIGN NUMBER	250596	
CLASS	13-03	
1)M/S. MAHINDRA REVA ELECTRIC VEHICLES PRIVATE LIMITED, HAVING PLACE OF BUSINESS AT NO. 122 E, BOMMASANDRA INDUSTRIAL AREA, BANGALORE-560099, KARNATAKA, INDIA		
DATE OF REGISTRATION	02/01/2013	
TITLE	CHARGE PROTECTION UNIT	
PRIORITY NA		

DESIGN NUMBER	254100	
CLASS	23-04	
1)DAIKIN INDUSTRIES LTD. A JAPANESE COMPANY OF THE ADDRESS: UMEDA CENTER BUILDING, 4-12 NAKAZAKI-NISHI 2-CHOME, KITA-KU, OSAKA-SHI, OSAKA-FU, JAPAN		
DATE OF REGISTRATION	27/05/2013	
TITLE	AIR CONDITIONER	
PRIORITY NA		

DESIGN NUMBER	253796	
CLASS	06-07	
1)ROHIT JAIN (INDIAN NATIONAL) TRADING AS M/S. V.R. INTERNATIONAL, 5911/27 SHOP NO-12, SWADESHI MARKET, SADAR BAZAR, DELHI-110006		
DATE OF REGISTRATION	14/05/2013	
TITLE	FRAME	
PRIORITY NA		

DESIGN NUMBER	247216	
CLASS	24-04	
1)3M INNOVATIVE PROPERTIES COMPANY, A COMPANY INCORPORATED IN THE STATE OF DELAWARE OF 3M CENTER, SAINT PAUL, MINNESOTA 55133-3427, USA		
DATE OF REGISTRATION	17/08/2012	
TITLE	ORTHOPEDIC THUMB SUPPORT	
PRIORITY		
PRIORITY NUMBER	DATE	COUNTRY
29/413,750	20/02/2012	U.S.A.

DESIGN NUMBER	247464	
CLASS	15-06	
1)RIETER INGOLSTADT GMBH, A GERMAN COMPANY OF FRIEDRICH-EBERT-STRASSE 84, 85055 INGOLSTADT, GERMANY		
DATE OF REGISTRATION	28/08/2012	
TITLE	DRAWING FRAME FOR DRAFTING FIBERS	
PRIORITY		
PRIORITY NUMBER	DATE	COUNTRY
40 2012 100 130.2	29/02/2012	GERMANY




DESIGN NUMBER	252379	
CLASS	06-02	
1)(1) GANPAT CHAND SALECHA S/O. LATE. SH. AMI CHAND SALECHA (NATIONALITY-INDIAN), (2) UTTAM CHAND SALECHA S/O. SH. GANPAT CHAND SALECHA (NATIONALITY-INDIAN), (3) CHANDRA SHEKHAR SALECHA S/O. SH. GANPAT CHAND SALECHA (NATIONALITY-INDIAN) (4) ARVIND KUMAR SALECHA S/O. SH. GANPAT CHAND SALECHA (NATIONALITY-INDIAN) PARTNERS OF NEELKANTH ART & CRAFTS AT- M-469, E.P.I.P. BORANADA, JODHPUR (RAJASTHAN) NATIONALITY- INDIAN		
DATE OF REGISTRATION	18/03/2013	
TITLE	BED	
PRIORITY NA		



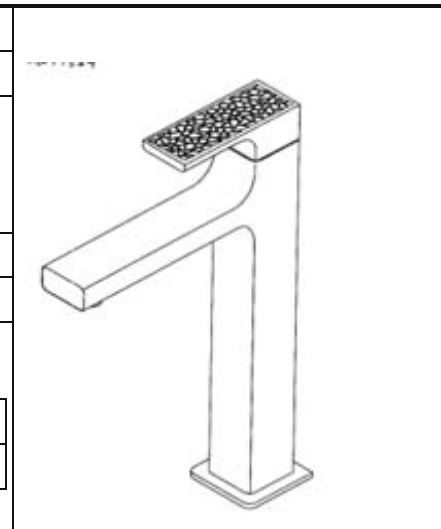
DESIGN NUMBER	251526	
CLASS	12-11	
1)BAJAJ AUTO LIMITED, AN INDIAN COMPANY, INCORPORATED UNDER THE COMPANIES ACT OF 1956, HAVING ITS PRINCIPAL PLACE OF BUSINESS AT NEW 2ND & 3RD FLOOR, KHIVRAJ BUILDING, NO. 616, ANNASALAI, CHENNAI - 600006, STATE OF TAMIL NADU, INDIA, AND REGISTERED OFFICE AT AKURDI, PUNE-411035, STATE OF MAHARASHTRA, INDIA		
DATE OF REGISTRATION	08/02/2013	
TITLE	FAIRING OUTER MASK FOR MOTORCYCLE	
PRIORITY NA		



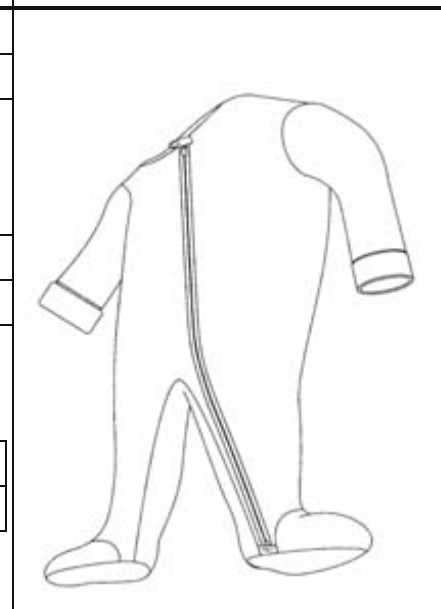
DESIGN NUMBER	253518	
CLASS	13-03	
1)GOLD MEDAL ELECTRICALS PVT. LTD. A COMPANY REGISTERED UNDER COMPANY ACT 1956 WHOSE ADDRESS IS, A/302, KEMP PLAZA, MIND SPACE, OFF LINK ROAD, CHINCHOLI BUNDER, MALAD (WEST), MUMBAI-400064, MAHARASHTRA, INDIA		
DATE OF REGISTRATION	30/04/2013	
TITLE	SWITCH COVER PLATE	
PRIORITY NA		
DESIGN NUMBER	250743	
CLASS	06-01	
1)GODREJ & BOYCE MFG. CO. LTD., AN INDIAN COMPANY INCORPORATED UNDER THE COMPANIES ACT 1913, OF GODREJ INTERIO, PLANT 4, PIROJSHANAGER, VIKHROLI (WEST), MUMBAI-400079, INDIA		
DATE OF REGISTRATION	04/01/2013	
TITLE	CHAIR	
PRIORITY NA		
DESIGN NUMBER	253859	
CLASS	13-03	
1)AJANTA LIMITED, AN INDIAN COMPANY OF ORPAT INDUSTRIAL ESTATE, RAJKOT-MORBI HIGHWAY, MORBI 363641, STATE OF GUJARAT, INDIA		
DATE OF REGISTRATION	15/05/2013	
TITLE	SOCKET	
PRIORITY NA		

DESIGN NUMBER	253922	
CLASS	08-08	
1)(1) MEHULBHAI D. CHAVDA (2) SOMESHBHAI S. MALIK AND (3) DHIRENBHAI SHAH ALL INDIAN NATIONAL PARTNER OF DMS ARCHITECTURAL PRODUCTS AN INDIAN PARTNERSHIP FIRM HAVING ITS PRINCIPAL PLACE OF BUSINESS AT ADDRESS: PLOT NO. 6, SURVEY NO. 20, EVEREST INDUSTRIAL AREA, NEAR PERFECT (TATA) SHOWROOM, NATIONAL HIGHWAY NO. 8-B, VAVDI-DIST. RAJKOT-360004, GUJARAT-INDIA		
DATE OF REGISTRATION	17/05/2013	
TITLE	CURTAIN BRACKET	
PRIORITY NA		

DESIGN NUMBER	249359	
CLASS	23-01	
1)BEIJING KOHLER LTD., A CORPORATION ORGANIZED AND EXISTING UNDER THE LAWS OF CHINA, OF NO. 27 WEST GUO YUAN ROAD, BEIJING, MIYUN COUNTY 101500, CHINA P.R.		
DATE OF REGISTRATION	09/11/2012	
TITLE	FAUCET	
PRIORITY		
PRIORITY NUMBER	DATE	COUNTRY
201230180853.X	11/05/2012	CHINA



DESIGN NUMBER	249420	
CLASS	02-07	
1)DISNEY ENTERPRISES, INC., A CORPORATION ORGANIZED AND EXISTING UNDER THE LAWS OF THE STATE OF DELAWARE, U.S.A., OF 500 SOUTH BUENA VISTA STREET, BURBANK, CALIFORNIA 91521-0165, UNITED STATES OF AMERICA		
DATE OF REGISTRATION	09/11/2012	
TITLE	INFANT GARMENT	
PRIORITY		
PRIORITY NUMBER	DATE	COUNTRY
29/420,543	10/05/2012	U.S.A.



DESIGN NUMBER	249490	
CLASS	13-01	
1)YOUWINENERGY GMBH, A COMPANY ORGANIZED AND EXISTING UNDER THE LAWS OF GERMANY, HAVING ITS OFFICE AT RUDOLF-DIESEL-STR. 9, D-26135 OLDENBURG, ALEMANIA, GERMANY		
DATE OF REGISTRATION	15/11/2012	
TITLE	NACELLE OF WIND TURBINE	
PRIORITY		
PRIORITY NUMBER	DATE	COUNTRY
002042218	15/05/2012	OHIM





DESIGN NUMBER	249515	
CLASS	23-02	
1)MADISON SANITARY FITTINGS CO., LTD., A COMPANY EXISTING UNDER THE LAWS OF CHINA, SHUIKOU INDUSTRIES ZONE, SHUIKOU TOWN, KAIPING CITY, GUANGDONG 529321, CHINA		
DATE OF REGISTRATION	16/11/2012	
TITLE	SPRAY HEADS FOR SHOWERS	
PRIORITY		
PRIORITY NUMBER	DATE	COUNTRY
201230271758.0	25/06/2012	CHINA

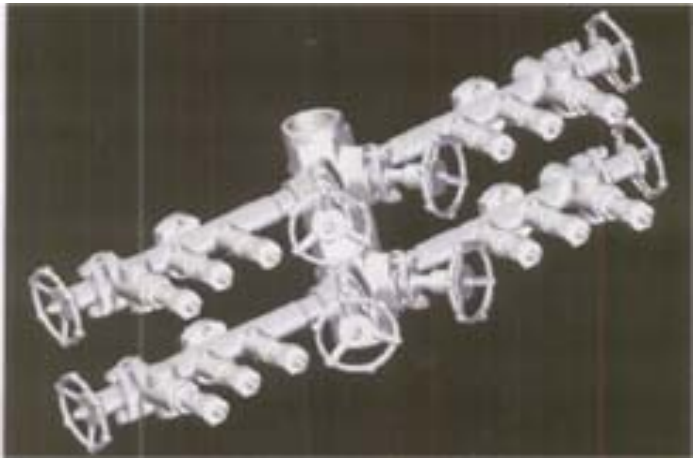





DESIGN NUMBER	249040	
CLASS	28-03	
1)(1)MANOJKUMAR CHANDULAL RANPARA OF (2)TUSHARBHAI MANOJKUMAR RANPARA (3)DEVANGBHAI MANOJKUMAR RANPARA (ALL PARTNERS ARE ADULT AND INDIAN NATIONAL) PARTNER OF NEW RANPARA INDUSTRIES (INDIAN PARTNERSHIP FIRM) HAVING PLACE OF BUSINESS AT -PANASARA ROAD, B/H. GEETA OIL MILL, MORBI-363641 DIST:RAJKOT-GUJARAT (INDIA)		
DATE OF REGISTRATION	29/10/2012	
TITLE	TONGUE CLEANER	
PRIORITY NA		



DESIGN NUMBER	252953	
CLASS	09-03	
1)ARYA METAL CANS. E-12, SECTOR-63, NOIDA, GAUTAM BUDH NAGAR-201301, UTTAR PRADESH, INDIA. (AN INDIAN PROPRIETORSHIP FIRM WHOSE PROPRIETOR IS :- SHREE UJJWAL ARYA. AN INDIAN NATIONAL OF THE ABOVE ADDRESS		
DATE OF REGISTRATION	08/04/2013	
TITLE	CAN	
PRIORITY NA		

DESIGN NUMBER	253001	
CLASS	04-02	
1)S. PRABAKARAN, AT NO. 3, SRI LAKSHMI FLATS, 5TH STREET, AVVAITHIRUNAGAR, KOYAMBEDU-600092, INDIA, INDIAN-NATIONAL OF ABOVE ADDRESS		
DATE OF REGISTRATION	10/04/2013	
TITLE	TOOTH BRUSH	
PRIORITY NA		

DESIGN NUMBER	235067	
CLASS	99-00	
1)SPIRAX MARSHALL PVT. LTD., MUMBAI-PUNE ROAD, KASARWADI, PUNE-411034, MAHARASHTRA, INDIA		
DATE OF REGISTRATION	09/03/2011	
TITLE	PIPELINE CONNECTOR	
PRIORITY NA		

DESIGN NUMBER	251991	
CLASS	12-11	
1)BAJAJ AUTO LIMITED, AN INDIAN COMPANY, INCORPORATED UNDER THE COMPANIES ACT OF 1956, HAVING ITS PRINCIPAL PLACE OF BUSINESS AT NEW 2ND & 3RD FLOOR, KHIVRAJ BUILDING, NO. 616, ANNASALAI, CHENNAI - 600006, STATE OF TAMIL NADU, INDIA, AND REGISTERED OFFICE AT AKURDI, PUNE-411035, STATE OF MAHARASHTRA, INDIA		
DATE OF REGISTRATION	01/03/2013	
TITLE	SEAT COWL ASSEMBLY FOR VEHICLE	
PRIORITY NA		
DESIGN NUMBER	250849	
CLASS	13-03	
1)GREAT WHITE ELECTRICALS PVT. LTD., C-101, INNOVA MARATHON NEXT GEN. OFF G. K. MARG, OPP. PENINSULA CORPORATE PARK, LOWER PAREL (W), MUMBAI-400013. STATE OF MAHARASHTRA INDIA, / A PRIVATE LIMITED COMPANY INCORPORATED UNDER INDIAN COMPANIES ACT., ABOVE ADDRESS		
DATE OF REGISTRATION	08/01/2013	
TITLE	ELECTRICAL COVER PLATE	
PRIORITY NA		
DESIGN NUMBER	252727	
CLASS	09-01	
1)NAYASA POLYPLAST OF G-9 UDYOG NAGAR O.I.D.C. RINGANVADA NANI DAMAN, DAMAN-396210, INDIA, INDIAN PARTNERSHIP FIRM, WHOSE PARTNERS ARE DINESH LAXMINARAYAN MALIK & MANASI SACHDEV, ALL INDIAN NATIONALS		
DATE OF REGISTRATION	01/04/2013	
TITLE	BOTTLE	
PRIORITY NA		

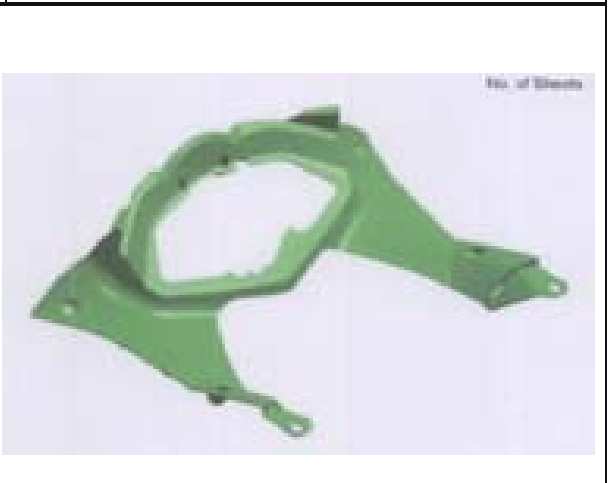
DESIGN NUMBER	252857
CLASS	10-01
1)AJANTA LIMITED, AN INDIAN COMPANY OF ORPAT INDUSTRIAL ESTATE, RAJKOT-MORBI HIGHWAY, MORBI 363641, STATE OF GUJARAT, INDIA	
DATE OF REGISTRATION	03/04/2013
TITLE	CLOCK
PRIORITY NA	




DESIGN NUMBER	249872
CLASS	08-06
1)(1) RAMESHBHAI PANCHABHAI PAMBHAR (2) MAGANBHAI PANCHABHAI PAMBHAR (3) TRIBHOVANBHAI PANCHABHAI PAMBHAR (ALL PARTNERS ARE INDIAN NATIONALS) PARTNERS OF SHREE KHODIYAR INDUSTRIES (REGISTERED UNDER THE INDIAN PARTNERSHIP ACT-1932) HAVING PLACE OF BUSINESS AT : 2/8, GOKULNAGAR, 50 FEET ROAD, RAJKOT-360002 GUJARAT (INDIA)	
DATE OF REGISTRATION	04/12/2012
TITLE	HANDLE
PRIORITY NA	

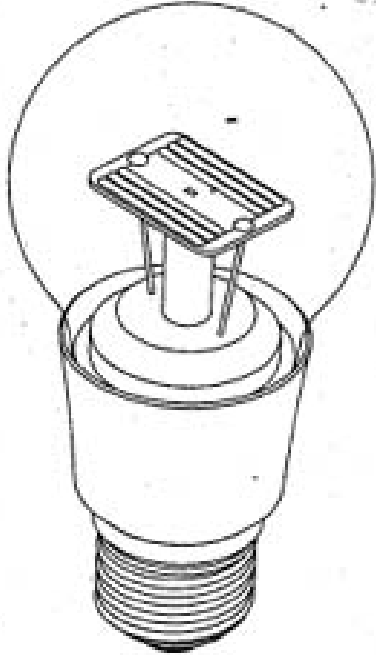


DESIGN NUMBER	251523
CLASS	12-11
1)BAJAJ AUTO LIMITED, AN INDIAN COMPANY, INCORPORATED UNDER THE COMPANIES ACT OF 1956, HAVING ITS PRINCIPAL PLACE OF BUSINESS AT NEW 2ND & 3RD FLOOR, KHIVRAJ BUILDING, NO. 616, ANNASALAI, CHENNAI - 600006, STATE OF TAMIL NADU, INDIA, AND REGISTERED OFFICE AT AKURDI, PUNE-411035, STATE OF MAHARASHTRA, INDIA	
DATE OF REGISTRATION	08/02/2013
TITLE	SPEEDOMETER FLAP FOR MOTORCYCLE
PRIORITY NA	






DESIGN NUMBER	251532	
CLASS	12-11	
1)BAJAJ AUTO LIMITED, AN INDIAN COMPANY, INCORPORATED UNDER THE COMPANIES ACT OF 1956, HAVING ITS PRINCIPAL PLACE OF BUSINESS AT NEW 2ND & 3RD FLOOR, KHIVRAJ BUILDING, NO. 616, ANNASALAI, CHENNAI - 600006, STATE OF TAMIL NADU, INDIA, AND REGISTERED OFFICE AT AKURDI, PUNE-411035, STATE OF MAHARASHTRA, INDIA		
DATE OF REGISTRATION	08/02/2013	
TITLE	LAMP FOR MOTORCYCLE	
PRIORITY NA		

DESIGN NUMBER	253590	
CLASS	12-16	
1)DR. ING. H.C.F. PORSCHE AKTIENGESELLSCHAFT, A GERMAN COMPANY OF PORSCHEPLATZ 1, 70435 STUTTGART, GERMANY		
DATE OF REGISTRATION	01/05/2013	
TITLE	WHEEL RIM	
PRIORITY NA		

DESIGN NUMBER	250721	
CLASS	26-04	
1)PANASONIC CORPORATION, A JAPANESE COMPANY ORGANIZED AND EXISTING UNDER THE LAWS OF JAPAN, OF 1006, OAZA KADOMA, KADOMA-SHI, OSAKA 571-8501, JAPAN		
DATE OF REGISTRATION	04/01/2013	
TITLE	LIGHT-EMITTING DIODE LAMP	
PRIORITY NA		

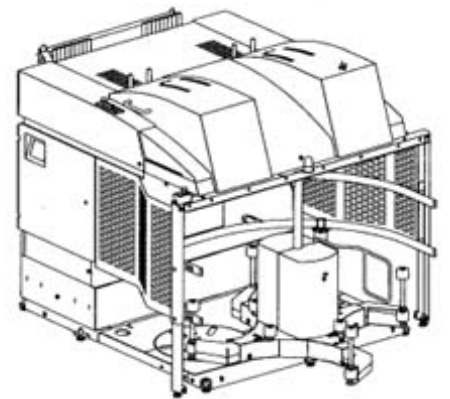
DESIGN NUMBER	254000	
CLASS	05-05	
1)PARRY MURRAY & CO. LTD., COMPANY REGISTERED UNDER THE LAWS OF ENGLAND AND WALES, HAVING ITS PRINCIPAL PLACE OF BUSINESS AT 3RD FLOOR, SIMPSON HOUSE, 6 CHERRY ORCHARD ROAD, CROYDON, CRO 6BA, UNITED KINGDOM		
DATE OF REGISTRATION	21/05/2013	
TITLE	TEXTILE FABRIC	
PRIORITY NA		
DESIGN NUMBER	249398	
CLASS	01-01	
1)M/S. SWEETON FOODS PVT. LTD., (A COMPANY DULY INCORPORATED UNDER THE INDIAN COMPANIES ACT, 1956), E-3, SECTOR-1, BAWANA, DELHI-110039		
DATE OF REGISTRATION	09/11/2012	
TITLE	CHOCOLATE	
PRIORITY NA		
DESIGN NUMBER	235069	
CLASS	99-00	
1)SPIRAX MARSHALL PVT. LTD., MUMBAI-PUNE ROAD, KASARWADI, PUNE-411034, MAHARASHTRA, INDIA.		
DATE OF REGISTRATION	09/03/2011	
TITLE	PIPELINE CONNECTOR	
PRIORITY NA		

DESIGN NUMBER	249129		
CLASS	26-05		
1)FLOS S.P.A., AN ITALIAN COMPANY, VIA A. FAINI, 2, I-25073 BOVEZZO, BRESCIA, ITALY			
DATE OF REGISTRATION	31/10/2012		
TITLE	FLOOR LAMP		
PRIORITY			
PRIORITY NUMBER	DATE	COUNTRY	
BS2012O000020	06/07/2012	ITALY	
DESIGN NUMBER	253017		
CLASS	05-05		
1)M/S. BIBA APPARELS PRIVATE LIMITED, AN INDIAN PRIVATE LIMITED COMPANY INCORPORATED UNDER THE PROVISION OF THE COMPANIES ACT, 1956, AND HAVING ITS'S REGISTERED OFFICE AT RELIABLE HOUSE, SITUATED AT HANUMAN SILK MILL COMPOUND, KANJURMARG (WEST), OPP. HUMA MALL, MUMBAI-400 078 MAHARASHTRA, INDIA.			
DATE OF REGISTRATION	11/04/2013		
TITLE	TEXTILE FABRIC		
PRIORITY NA			
DESIGN NUMBER	250915		
CLASS	06-08		
1)NATIONAL INSTITUTE OF DESIGN LOCATED AT PALDI, AHMEDABAD-380007, GUJARAT, HAVING NATIONALITY AS INDIAN			
DATE OF REGISTRATION	10/01/2013		
TITLE	HANGER		
PRIORITY NA			

DESIGN NUMBER	252871
CLASS	10-01
1)AJANTA LIMITED, AN INDIAN COMPANY OF ORPAT INDUSTRIAL ESTATE, RAJKOT-MORBI HIGHWAY, MORBI 363641, STATE OF GUJARAT, INDIA	
DATE OF REGISTRATION	03/04/2013
TITLE	CLOCK
PRIORITY NA	





DESIGN NUMBER	247463	
CLASS	15-06	
1)RIETER INGOLSTADT GMBH, A GERMAN COMPANY OF FRIEDRICH-EBERT-STRASSE 84, 85055 INGOLSTADT, GERMANY		
DATE OF REGISTRATION	28/08/2012	
TITLE	DRAWING FRAME FOR DRAFTING FIBERS	
PRIORITY		
PRIORITY NUMBER	DATE	COUNTRY
40 2012 100 130.2	29/02/2012	GERMANY



DESIGN NUMBER	252294
CLASS	09-03
1)NAYASA WORLD OF SURVEY NO. 655/1C NEAR SOMNANATH CO.OP.SOCIETY, DABHEL NANI DAMAN, DAMAN-396310, (UNION TERRITORIES) DAMAN, INDIA, INDIAN PARTNERSHIP FIRM, WHOSE PARTNERS ARE RUPA SACHDEV, MANASI SACHDEV & KISHOR MALIK, ALL INDIAN NATIONALS	
DATE OF REGISTRATION	13/03/2013
TITLE	STORAGE CONTAINER
PRIORITY NA	



DESIGN NUMBER	249956	
CLASS	09-01	
1)PIRAMAL GLASS LIMITED, 6TH FLOOR, PIRAMAL TOWER ANNEXE, PENINSULA CORPORATE PARK, G. K. MARG, LOWER PAREL (WEST), MUMBAI, MAHARASHTRA 400013, INDIA, AN INDIAN COMPANY		
DATE OF REGISTRATION	06/12/2012	
TITLE	BOTTLE	
PRIORITY NA		

DESIGN NUMBER	251636	
CLASS	15-03	
1)RAVANDS CONTROLS INCORPORATION, AN INDIAN COMPANY OF MALAIAH PALLI ROAD, CHANDRAGIRI-517101, TIRUPATI, ANDRHA PRADESH, INDIA		
DATE OF REGISTRATION	14/02/2013	
TITLE	INJECTOR FOR MICROIRRIGATION	
PRIORITY NA		

DESIGN NUMBER	253592	
CLASS	12-16	
1)DR. ING. H.C.F. PORSCHE AKTIENGESELLSCHAFT, A GERMAN COMPANY OF PORSCHEPLATZ 1, 70435 STUTTGART, GERMANY		
DATE OF REGISTRATION	01/05/2013	
TITLE	WHEEL RIM	
PRIORITY NA		

DESIGN NUMBER	250608	
CLASS	12-08	
1)MAN TRUCK & BUS AG, A GERMAN COMPANY OF DACHAUER STR. 667, 80995 MÜNICH, GERMANY		
DATE OF REGISTRATION	03/01/2013	
TITLE	DRIVERS CAB OF A UTILITY VEHICLE	
PRIORITY		
PRIORITY NUMBER	DATE	COUNTRY
001335236	04/07/2012	OHIM



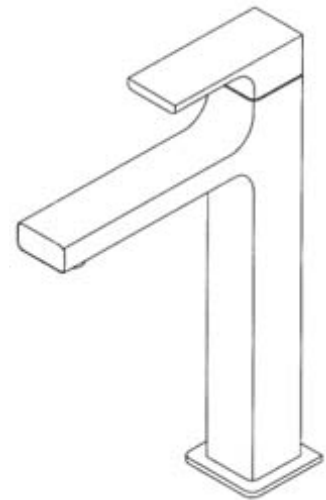
DESIGN NUMBER	251776	
CLASS	31-01	
1)M/S. UNOVA APPLIANCES PVT. LTD, HAVING THEIR OFFICE AT 1, LAND MARK, OFF. J. P. ROAD, DAWOOD BAUG, 1ST X LANE, ANDHERI (W), MUMBAI-400058, MAHARASHTRA, INDIA		
DATE OF REGISTRATION	19/02/2013	
TITLE	JUICER JAR OF MIXER GRINDER (FOR PREPARING FOOD AND DRINK)	
PRIORITY NA		



DESIGN NUMBER	253857	
CLASS	13-03	
1)AJANTA LIMITED, AN INDIAN COMPANY OF ORPAT INDUSTRIAL ESTATE, RAJKOT-MORBI HIGHWAY, MORBI 363 641, STATE OF GUJARAT, INDIA		
DATE OF REGISTRATION	15/05/2013	
TITLE	FUSE	
PRIORITY NA		

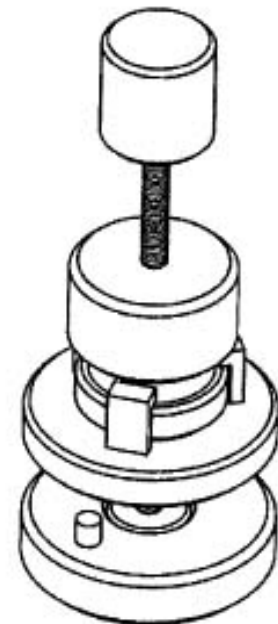


DESIGN NUMBER	249358
CLASS	23-01
1)BEIJING KOHLER LTD., A CORPORATION ORGANIZED AND EXISTING UNDER THE LAWS OF CHINA, OF NO. 27 WEST GUO YUAN ROAD, BEIJING, MIYUN COUNTY 101500, CHINA P.R.	
DATE OF REGISTRATION	09/11/2012
TITLE	FAUCET



PRIORITY		
PRIORITY NUMBER	DATE	COUNTRY
201230180853.X	11/05/2012	CHINA

DESIGN NUMBER	251382
CLASS	08-08
1)OOPARTS, INC., NATIONALITY: JAPAN ADDRESS AT 1643-28, SHUKU, SOJA-SHI, OKAYAMA 719-1161 JAPAN	
DATE OF REGISTRATION	04/02/2013
TITLE	FASTENING DEVICE




PRIORITY NA


DESIGN NUMBER	251446
CLASS	08-08
1)DAVINDER BHASIN, C-128, PHASE-V, FOCAL POINT, LUDHIANA-141010 (PUNJAB) INDIA BEING INDIAN NATIONALS OF THE ABOVE ADDRESS	
DATE OF REGISTRATION	06/02/2013
TITLE	CLAMP SET FOR SCAFFOLDING





(PERSPECTIVE VIEW)

PRIORITY NA

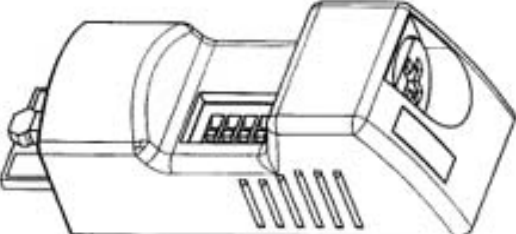
DESIGN NUMBER	248240	
CLASS	09-01	
1)AGUAS DE SOLAN DE CABRAS, S.A. COMPANY ORGANIZED AND EXISTING IN SPAIN HAVING REGISTERED OFFICE AT 16870, BETETA, PARAJE DE SOLAN DE CABRAS, CUENCA, SPAIN		
DATE OF REGISTRATION	27/09/2012	
TITLE	BOTTLES	
PRIORITY NA		



DESIGN NUMBER	250834	
CLASS	08-08	
1)(1). BANKIMBHAI VELJIBHAI MANVAR, (2) ALPESHBHAI HASMUKHBHAI PARIKH (3) VINESHBHAI RATILAL DADHANIYA (4). MITKUMAR KISHORBHAI DEPANI., ALL INDIAN NATIONAL PARTNERS OF M/S. BARRY CREATION., AN INDIAN PARTNERSHIP FIRM., HAVING ITS PRINCIPLE PLACE OF BUSINESS AT, 901, RAVI TOWER, OPP. PARIMAL SCHOOL, KALAWAD ROAD, RAJKOT-360004. GUJARAT-INDIA		
DATE OF REGISTRATION	07/01/2013	
TITLE	CURTAIN FITTING	
PRIORITY NA		

DESIGN NUMBER	244815	
CLASS	08-06	
1)RAJ TECHNOCAST 7, PARSANA SOCIETY, 50 FOOT ROAD, NEAR SORATHIYAWADI CIRCLE, RAJKOT, GUJARAT, INDIA		
DATE OF REGISTRATION	26/04/2012	
TITLE	HANDLE	
PRIORITY NA		

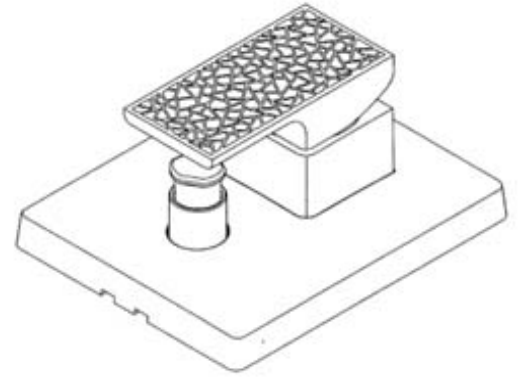
DESIGN NUMBER	251514	
CLASS	12-11	
1)BAJAJ AUTO LIMITED, AN INDIAN COMPANY, INCORPORATED UNDER THE COMPANIES ACT OF 1956, HAVING ITS PRINCIPAL PLACE OF BUSINESS AT NEW 2ND & 3RD FLOOR, KHIVRAJ BUILDING, NO. 616, ANNASALAI, CHENNAI - 600006, STATE OF TAMIL NADU, INDIA, AND REGISTERED OFFICE AT AKURDI, PUNE-411035, STATE OF MAHARASHTRA, INDIA		
DATE OF REGISTRATION	08/02/2013	
TITLE	CENTRAL BOTTOM SEAT COWL FOR MOTORCYCLE	
PRIORITY NA		

DESIGN NUMBER	251529	
CLASS	12-11	
1)BAJAJ AUTO LIMITED, AN INDIAN COMPANY, INCORPORATED UNDER THE COMPANIES ACT OF 1956, HAVING ITS PRINCIPAL PLACE OF BUSINESS AT NEW 2ND & 3RD FLOOR, KHIVRAJ BUILDING, NO. 616, ANNASALAI, CHENNAI - 600006, STATE OF TAMIL NADU, INDIA, AND REGISTERED OFFICE AT AKURDI, PUNE-411035, STATE OF MAHARASHTRA, INDIA		
DATE OF REGISTRATION	08/02/2013	
TITLE	PILLION FOOT STEP FOR MOTORCYCLE	
PRIORITY NA		

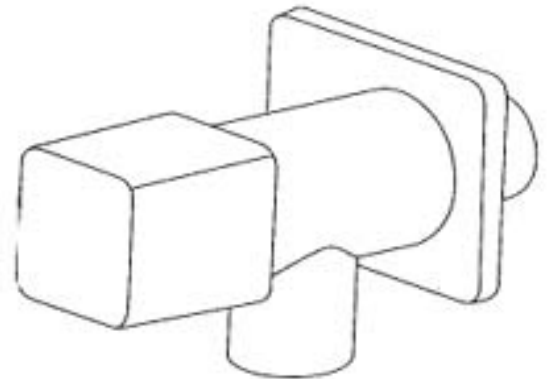
DESIGN NUMBER	248695	
CLASS	13-03	
1)PHOENIX CONTACT GMBH & CO. KG; OF FLACHSMARKTSTR. 8, 32825 BLOMBERG, GERMANY, A GERMAN COMPANY		
DATE OF REGISTRATION	11/10/2012	
TITLE	ELECTRONIC TIMER RELAY	
PRIORITY		
PRIORITY NUMBER	DATE	COUNTRY
002024372.0002	12/04/2012	EUROPEAN UNION

DESIGN NUMBER	251836		
CLASS	07-02		
1)KONINKLIJKE PHILIPS ELECTRONICS N.V., A COMPANY ORGANIZED AND EXISTING UNDER THE LAWS OF THE KINGDOM OF THE NETHERLANDS, RESIDING AT EINDHOVEN, WHOSE POST-OFFICE ADDRESS IS HIGH TECH CAMPUS 5, 5656 AE EINDHOVEN, THE NETHERLANDS			
DATE OF REGISTRATION	22/02/2013		
TITLE	TOASTER		
PRIORITY			
PRIORITY NUMBER	DATE	COUNTRY	
002093070-0001	27/08/2012	OHIM	
DESIGN NUMBER	253866		
CLASS	13-03		
1)AJANTA LIMITED, AN INDIAN COMPANY OF ORPAT INDUSTRIAL ESTATE, RAJKOT-MORBI HIGHWAY, MORBI 363641, STATE OF GUJARAT, INDIA			
DATE OF REGISTRATION	15/05/2013		
TITLE	FAN REGULATOR		
PRIORITY NA			
DESIGN NUMBER	253998		
CLASS	05-05		
1)PARRY MURRAY & CO. LTD., COMPANY REGISTERED UNDER THE LAWS OF ENGLAND AND WALES, HAVING ITS PRINCIPAL PLACE OF BUSINESS AT 3RD FLOOR, SIMPSON HOUSE, 6 CHERRY ORCHARD ROAD, CROYDON, CRO 6BA, UNITED KINGDOM			
DATE OF REGISTRATION	21/05/2013		
TITLE	TEXTILE FABRIC		
PRIORITY NA			

DESIGN NUMBER	249363	
CLASS	23-01	
1)BEIJING KOHLER LTD., A CORPORATION ORGANIZED AND EXISTING UNDER THE LAWS OF CHINA, OF NO. 27 WEST GUO YUAN ROAD, BEIJING, MIYUN COUNTY 101500, CHINA P.R.		
DATE OF REGISTRATION	09/11/2012	
TITLE	FAUCET	
PRIORITY		
PRIORITY NUMBER	DATE	COUNTRY
201230180853.X	11/05/2012	CHINA



DESIGN NUMBER	249379	
CLASS	23-01	
1)BEIJING KOHLER LTD., A CORPORATION ORGANIZED AND EXISTING UNDER THE LAWS OF CHINA, OF NO. 27 WEST GUO YUAN ROAD, BEIJING, MIYUN COUNTY 101500, CHINA P.R.		
DATE OF REGISTRATION	09/11/2012	
TITLE	WATER VALVE	
PRIORITY		
PRIORITY NUMBER	DATE	COUNTRY
201230180878.X	11/05/2012	CHINA



DESIGN NUMBER	251290	
CLASS	08-06	
1)JALPESHBHAI S. GOSWAMI AND NILESHBHAI S. GOSWAMI BOTH INDIAN NATIONAL PARTNERS OF RUSHIV TECHNOCAST AN INDIAN PARTNERSHIP FIRM HAVING ITS PRINCIPAL PLACE OF BUSINESS AT 80 FEET ROAD, NEAR ACCURATE WEIGH BRIDGE, NEAR AJI VASAHAHAT, RAJKOT, GUJARAT - INDIA		
DATE OF REGISTRATION	29/01/2013	
TITLE	HANDLE	
PRIORITY NA		



DESIGN NUMBER	251990	
CLASS	12-11	
1)BAJAJ AUTO LIMITED, AN INDIAN COMPANY, INCORPORATED UNDER THE COMPANIES ACT OF 1956, HAVING ITS PRINCIPAL PLACE OF BUSINESS AT NEW 2ND & 3RD FLOOR, KHIVRAJ BUILDING, NO. 616, ANNASALAI, CHENNAI - 600006, STATE OF TAMIL NADU, INDIA, AND REGISTERED OFFICE AT AKURDI, PUNE-411035, STATE OF MAHARASHTRA, INDIA		
DATE OF REGISTRATION	01/03/2013	
TITLE	REAR FENDER FOR VEHICLE	
PRIORITY NA		
DESIGN NUMBER	252174	
CLASS	09-01	
1)NAYASA WORLD OF SURVEY NO. 655/1C NEAR SOMNANATH CO.OP.SOCIETY, DABHEL NANI DAMAN, DAMAN-396310, (UNION TERRITORIES) DAMAN, INDIA, INDIAN PARTNERSHIP FIRM, WHOSE PARTNERS ARE RUPA SACHDEV, MANASI SACHDEV & KISHOR MALIK, ALL INDIAN NATIONALS		
DATE OF REGISTRATION	07/03/2013	
TITLE	BOTTLE	
PRIORITY NA		
DESIGN NUMBER	253755	
CLASS	10-06	
1)3M INNOVATIVE PROPERTIES COMPANY, A COMPANY INCORPORATED IN THE STATE OF DELAWARE OF 3M CENTER, SAINT PAUL, MINNESOTA 55133-3427, USA		
DATE OF REGISTRATION	07/05/2013	
TITLE	PAVEMENT MARKER	
PRIORITY NA		

DESIGN NUMBER	250846
CLASS	09-07
1) NATIONAL PLASTICS, 91 BASANT AVENUE, AMRITSAR-143011, INDIA, AN INDIAN COMPANY	
DATE OF REGISTRATION	08/01/2013
TITLE	DISPENSER FOR BOTTLE
PRIORITY NA	




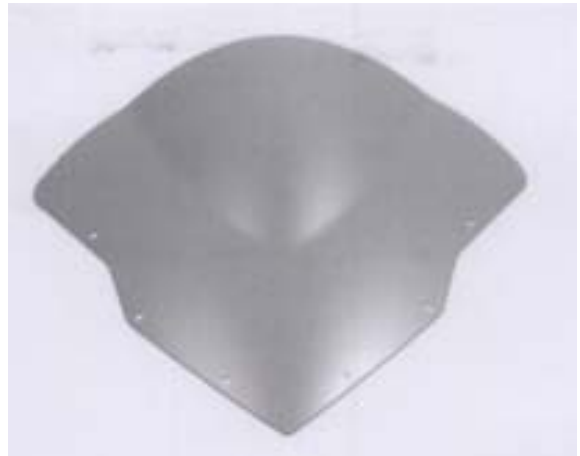
DESIGN NUMBER	252739
CLASS	12-11
1) MANOJ KUMAR JAIN, SOLE PROPRIETOR, TRADING AS, SANA IMPEX, HAVING OFFICE AT 15-09-466/4, AFZALGUNJ, HYDERABAD-500012, ANDHRA PRADESH STATE, INDIA	
DATE OF REGISTRATION	01/04/2013
TITLE	BICYCLE
PRIORITY NA	




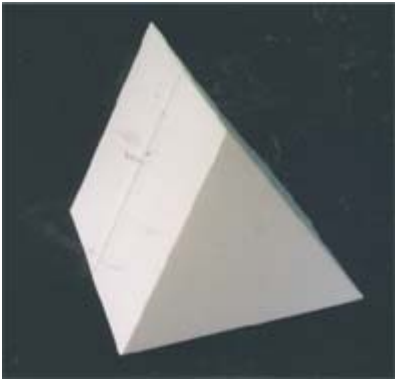
DESIGN NUMBER	252754
CLASS	01-01
1) MR. DHRUV KUMAR RIJHWANI, TRADING AS M/S. NICE CONFECTIONERY, WHOSE ADDRESS IS E-28, S.M.A. CO-OPERATIVE INDUSTRIAL ESTATE, G. T. KARNAL ROAD, DELHI-110033, (INDIAN), AN INDIAN NATIONAL OF THE ABOVE ADDRESS	
DATE OF REGISTRATION	02/04/2013
TITLE	CANDY
PRIORITY NA	



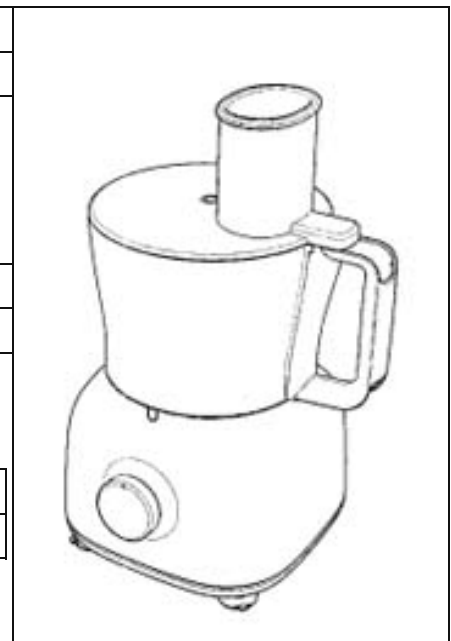
DESIGN NUMBER	252248	
CLASS	06-04	
1)M/S GAUTAM ENTERPRISES, 8347, NEW ANAJ MANDI, FILMISTAN, DELHI-110006, AN INDIAN PROPRIETORSHIP FIRM, WHOSE PROPRIETOR IS GAURAV JAIN, OF ABOVE ADDRESS, AN INDIAN NATIONAL		
DATE OF REGISTRATION	11/03/2013	
TITLE	KITCHEN RACK	
PRIORITY NA		

DESIGN NUMBER	251522	
CLASS	12-11	
1)BAJAJ AUTO LIMITED, AN INDIAN COMPANY, INCORPORATED UNDER THE COMPANIES ACT OF 1956, HAVING ITS PRINCIPAL PLACE OF BUSINESS AT NEW 2ND & 3RD FLOOR, KHIVRAJ BUILDING, NO. 616, ANNASALAI, CHENNAI - 600006, STATE OF TAMIL NADU, INDIA, AND REGISTERED OFFICE AT AKURDI, PUNE-411035, STATE OF MAHARASHTRA, INDIA		
DATE OF REGISTRATION	08/02/2013	
TITLE	VISOR FOR MOTORCYCLE	
PRIORITY NA		

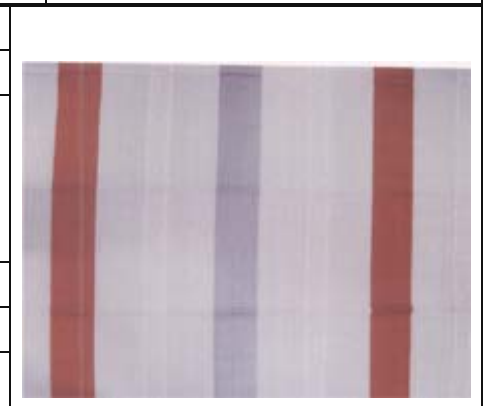
DESIGN NUMBER	251531	
CLASS	12-11	
1)BAJAJ AUTO LIMITED, AN INDIAN COMPANY, INCORPORATED UNDER THE COMPANIES ACT OF 1956, HAVING ITS PRINCIPAL PLACE OF BUSINESS AT NEW 2ND & 3RD FLOOR, KHIVRAJ BUILDING, NO. 616, ANNASALAI, CHENNAI - 600006, STATE OF TAMIL NADU, INDIA, AND REGISTERED OFFICE AT AKURDI, PUNE-411035, STATE OF MAHARASHTRA, INDIA		
DATE OF REGISTRATION	08/02/2013	
TITLE	BLINKER FOR MOTORCYCLE	
PRIORITY NA		

DESIGN NUMBER	251561	
CLASS	09-01	
1)PRAKASH MAGILALJI BORANA AN INDIAN PROPRIETOR FIRM OF SKY INDUSTRIES, 112-A TIRUPATI UDYOG NAGAR, SATIVALI ROAD, VASAI (E), DIST. THANE, MAHARASHTRA, INDIA OF ABOVE ADDRESS		
DATE OF REGISTRATION	11/02/2013	
TITLE	BOTTLE	
PRIORITY NA		
DESIGN NUMBER	227691	
CLASS	09-07	
1)PARKSONS PACKAGING LIMITED 41/B, LALBAUG INDUSTRIAL ESTATE, DR.AMBEDKAR ROAD, LALBAUG, MUMBAI-400012, MAHARASHTRA, INDIA		
DATE OF REGISTRATION	08/03/2010	
TITLE	CARTON	
PRIORITY NA		
DESIGN NUMBER	245988	
CLASS	23-03	
1)SPIRAX MARSHALL PVT. LTD., A COMPANY INCORPORATED UNDER THE INDIAN COMPANIES ACT, AT MUMBAI-PUNE ROAD, KASARWADI, PUNE-411034, MAHARASHTRA, INDIA.		
DATE OF REGISTRATION	15/06/2012	
TITLE	HIGH PRESSURE STEAM TRAP	
PRIORITY NA		

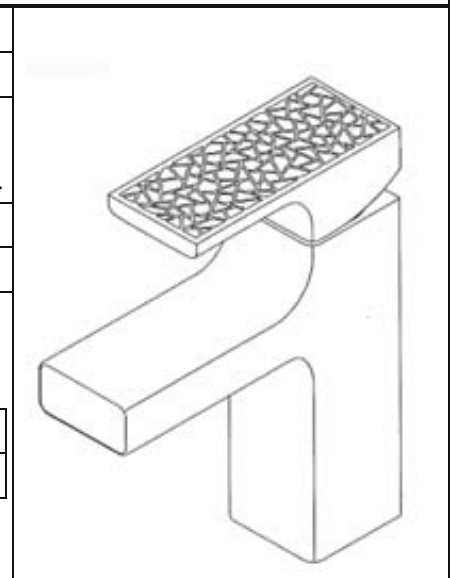
DESIGN NUMBER	251837	
CLASS	31-00	
1)KONINKLIJKE PHILIPS ELECTRONICS N.V., A COMPANY ORGANIZED AND EXISTING UNDER THE LAWS OF THE KINGDOM OF THE NETHERLANDS, RESIDING AT EINDHOVEN, WHOSE POST-OFFICE ADDRESS IS HIGH TECH CAMPUS 5, 5656 AE EINDHOVEN, THE NETHERLANDS		
DATE OF REGISTRATION	22/02/2013	
TITLE	FOOD PROCESSOR	
PRIORITY		
PRIORITY NUMBER	DATE	COUNTRY
002093062-0001	27/08/2012	OHIM




DESIGN NUMBER	253999	
CLASS	05-05	
1)PARRY MURRAY & CO. LTD., COMPANY REGISTERED UNDER THE LAWS OF ENGLAND AND WALES, HAVING ITS PRINCIPAL PLACE OF BUSINESS AT 3RD FLOOR, SIMPSON HOUSE, 6 CHERRY ORCHARD ROAD, CROYDON, CRO 6BA, UNITED KINGDOM		
DATE OF REGISTRATION	21/05/2013	
TITLE	TEXTILE FABRIC	
PRIORITY NA		



DESIGN NUMBER	249355	
CLASS	23-01	
1)BEIJING KOHLER LTD., A CORPORATION ORGANIZED AND EXISTING UNDER THE LAWS OF CHINA, OF NO. 27 WEST GUO YUAN ROAD, BEIJING, MIYUN COUNTY 101500, CHINA P.R.		
DATE OF REGISTRATION	09/11/2012	
TITLE	FAUCET	
PRIORITY		
PRIORITY NUMBER	DATE	COUNTRY
201230180853.X	11/05/2012	CHINA



DESIGN NUMBER	253314	
CLASS	19-06	
1)FLAIR PENS AND STATIONERY INDUSTRIES, AN INDIAN PARTNERSHIP FIRM OF 63, B/C, GOVT. INDUSTRIAL ESTATE, CHARKOP, KANDIVALI (W), MUMBAI - 400067, [MAHARASHTRA], INDIA; WHOSE PARTNERS ARE KHUBILAL J. RATHOD, RAJESH K. RATHOD, VIMALCHAND J. RATHOD, MOHIT K. RATHOD AND SUMIT V. RATHOD; ALL INDIANS OF THE ABOVE ADDRESS		
DATE OF REGISTRATION	23/04/2013	
TITLE	PEN	
PRIORITY NA		