

INTRODUCTION

In view of the recent amendment made in the Designs (Amendment) Rules, 2008 with effect from 17/06/2008, Publication of the matter relating to Designs is being published in the Official Journal of The Patent Office. This Journal is being published on weekly basis on every Friday covering the various proceedings on Designs as required according to the provisions of under Rule 22, 25, 27 and 39 of the Design (Amendment) Rules, 2008. All the enquiries on this Official Journal and other information as required by the public should be addressed to the Controller General of Patents, Designs & Trade Marks. Suggestions and comments are requested from all quarters so that the content can be enriched.

COPYRIGHT PUBLICATION

SL NO	CASE NUMBERS	RENEWED ON
1.	188226	18.11.2013
2.	188926	18.11.2013
3.	189327	18.11.2013
4.	190004	18.11.2013
5.	190882	18.11.2013
6.	191750	18.11.2013
7.	191942	18.11.2013
8.	191997	18.11.2013
9.	192001	14.11.2013
10.	192003	14.11.2013
11.	192004	14.11.2013
12.	192005	14.11.2013
13.	192036	18.11.2013
14.	192037	18.11.2013
15.	192054	18.11.2013
16.	192255	31.10.2013
17.	192256	31.10.2013
18.	192312	18.11.2013
19.	192313	18.11.2013
20.	192314	18.11.2013



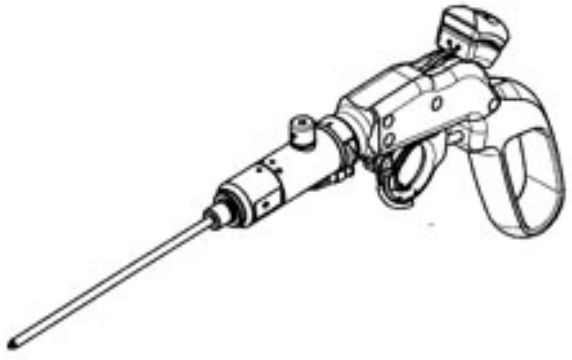
THE DESIGNS ACT 2000
SECTION 30
DESIGN ASSIGNMENT

The Design stands in the name of ALLTRADE VERTRIEBS GMBH & CO. KG. registered under the Designs Act, 2000 has been assigned in the Register of Designs in the name as follows:-

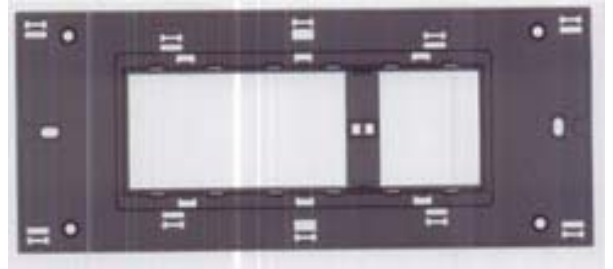
Design No.	Class	Name
243788	24-02	PENDIQ GMBH OF BAERLER STR. 100, D- 47441 MOERS, GERMANY, A GERMAN COMPANY

REGISTRATION OF DESIGNS

The following designs have been registered. They are now open for public inspection. In the following each entry the Date of Registration is shown. The Priority Number, Priority Date and Priority Country are also shown

DESIGN NUMBER	252562	
CLASS	30-02	
1)MUDITA MULL, OF MULL BUILDINGS, 4, ASHOK MARG, LUCKNOW-226001, INDIA, AN INDIAN CITIZEN		
DATE OF REGISTRATION	20/03/2013	
TITLE	BASE FOR BIRDCAGE	
PRIORITY NA		
DESIGN NUMBER	252714	
CLASS	12-16	
1)HYVA HOLDING B.V. OF THE ADDRESS ONDERNEMINGSWEG 1, NL-2404 HM ALPHEN AAN DEN RIJN, THE NETHERLANDS		
DATE OF REGISTRATION	28/03/2013	
TITLE	OIL TANK	
PRIORITY		
PRIORITY NUMBER	DATE	COUNTRY
002209940	27/03/2013	OHIM
DESIGN NUMBER	249978	
CLASS	24-02	
1)KARL STORZ GMBH & CO. KG, A GERMAN COMPANY OF MITTELSTRASSE 8, D-78532 TUTTLINGEN, GERMANY		
DATE OF REGISTRATION	06/12/2012	
TITLE	HANDLE WITH SHAFT FOR NATURAL ORIFICE TRANSLUMINAL ENDOSCOPIC SURGERY	
PRIORITY		
PRIORITY NUMBER	DATE	COUNTRY
002055913	12/06/2012	OHIM

DESIGN NUMBER	253534
CLASS	13-03
1)GOLD MEDAL ELECTRICALS PVT. LTD. A COMPANY REGISTERED UNDER COMPANY ACT 1956 WHOSE ADDRESS IS, A/302, KEMP PLAZA, MIND SPACE, OFF LINK ROAD, CHINCHOLI BUNDER, MALAD (WEST), MUMBAI-400064, MAHARASHTRA, INDIA	
DATE OF REGISTRATION	30/04/2013
TITLE	MOUNTING PLATE
PRIORITY NA	

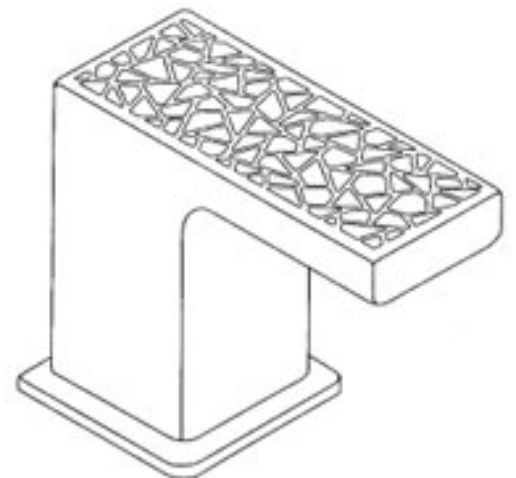


DESIGN NUMBER	253546
CLASS	13-03
1)GOLD MEDAL ELECTRICALS PVT. LTD. A COMPANY REGISTERED UNDER COMPANY ACT 1956 WHOSE ADDRESS IS, A/302, KEMP PLAZA, MIND SPACE, OFF LINK ROAD, CHINCHOLI BUNDER, MALAD (WEST), MUMBAI-400064, MAHARASHTRA, INDIA	
DATE OF REGISTRATION	30/04/2013
TITLE	COVER PLATE



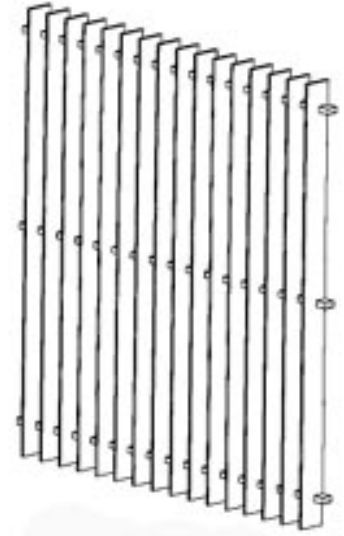
PRIORITY NA	
--------------------	--

DESIGN NUMBER	249377
CLASS	23-01
1)BEIJING KOHLER LTD., A CORPORATION ORGANIZED AND EXISTING UNDER THE LAWS OF CHINA, OF NO. 27 WEST GUO YUAN ROAD, BEIJING, MIYUN COUNTY 101500, CHINA P.R.	
DATE OF REGISTRATION	09/11/2012
TITLE	FAUCET

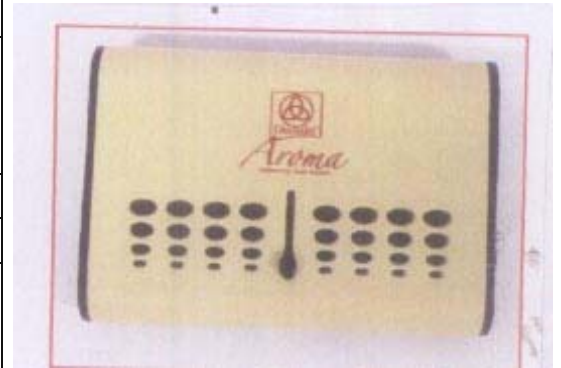


PRIORITY		
PRIORITY NUMBER	DATE	COUNTRY
201230180880.7	11/05/2012	CHINA

DESIGN NUMBER	246746	
CLASS	25-01	
1)HUNTER DOUGLAS INDUSTRIES SWITZERLAND GMBH, OF ADLIGENSWILERSTRASSE 27 6006 LUZEN SWITZERLAND, NATIONALITY : SWITZERLAND		
DATE OF REGISTRATION	26/07/2012	
TITLE	ARCHITECTURAL PANEL	
PRIORITY		
PRIORITY NUMBER	DATE	COUNTRY
29/411,794	26/01/2012	U.S.A.





DESIGN NUMBER	248419	
CLASS	09-03	
1)SHREEM SWARNAM DESIGN CONCEPTS PVT. LTD OF ADIDAS BUILDING, 1ST FLOOR, (REAR PORTION), KHASRA NO. 361/3, VILLAGE SULTANPUR, (BEHIND M. G. ROAD, , NEW DELHI, INDIA, AN INDIAN COMPANY		
DATE OF REGISTRATION	03/10/2012	
TITLE	PACKAGING FOR AIR FRESHENER	
PRIORITY NA		

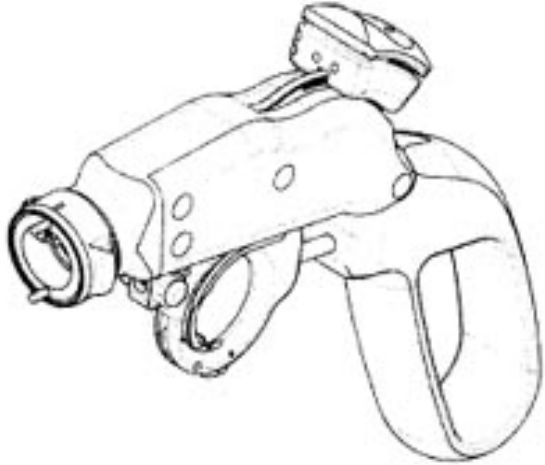


DESIGN NUMBER	251777	
CLASS	31-00	
1)M/S. UNOVA APPLIANCES PVT. LTD, HAVING THEIR OFFICE AT 1, LAND MARK, OFF. J. P. ROAD, DAWOOD BAUG, 1ST X LANE, ANDHERI (W), MUMBAI-400058, MAHARASHTRA, INDIA		
DATE OF REGISTRATION	19/02/2013	
TITLE	MIXER GRINDER MACHINE (FOR PREPARING FOOD AND DRINK)	
PRIORITY NA		



DESIGN NUMBER	254721	
CLASS	11-02	
1)MA DESIGN INDIA PRIVATE LIMITED, A COMPANY INCORPORATED IN INDIA HAVING ITS PRINCIPAL PLACE OF BUSINESS AT A-41, SECTOR-80, PHASE-II, NOIDA-201305, U.P. INDIA		
DATE OF REGISTRATION	25/06/2013	
TITLE	TABLE CENTREPIECE	
PRIORITY NA		

DESIGN NUMBER	252614	
CLASS	02-04	
1)RISHI MAHAJAN AN INDIAN NATIONAL, TRADING AS M/S. SMASH SHOE (INDIA), G-9, DSIDC INDUSTRIAL COMPLEX, ROHTAK ROAD, NANGLOI, DELHI-110041		
DATE OF REGISTRATION	22/03/2013	
TITLE	SHOE	
PRIORITY NA		

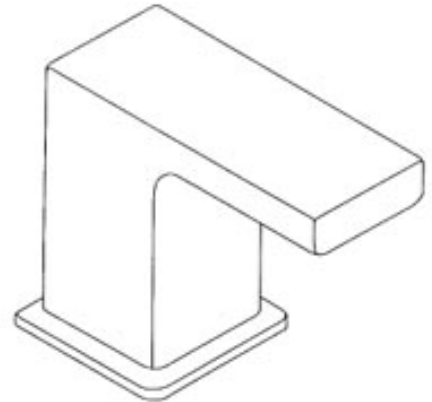
DESIGN NUMBER	249979		
CLASS	24-02		
1)KARL STORZ GMBH & CO. KG, A GERMAN COMPANY OF MITTELSTRASSE 8, D-78532 TUTTLINGEN, GERMANY			
DATE OF REGISTRATION	06/12/2012		
TITLE	HANDLE WITH SHAFT FOR NATURAL ORIFICE TRANSLUMINAL ENDOSCOPIC SURGERY		
PRIORITY			
PRIORITY NUMBER	DATE	COUNTRY	
002055913	12/06/2012	OHIM	

DESIGN NUMBER	251479	
CLASS	15-99	
1)KLAD ON DESIGN PVT LTD, HAVING PLACE OF BUSINESS AT- #5&6, SURVEY NO 38/2, NADAKERAPPA INDUSTRIAL ESTATE, ANDRAHALLI MAIN ROAD, NEAR PEENYA 2ND STAGE, BANGALORE- 560091		
DATE OF REGISTRATION	07/02/2013	
TITLE	MACHINE ENCLOSURE FOR DEBURRING MACHINE	
PRIORITY NA		
DESIGN NUMBER	253535	
CLASS	13-03	
1)GOLD MEDAL ELECTRICALS PVT. LTD. A COMPANY REGISTERED UNDER COMPANY ACT 1956 WHOSE ADDRESS IS, A/302, KEMP PLAZA, MIND SPACE, OFF LINK ROAD, CHINCHOLI BUNDER, MALAD (WEST), MUMBAI-400064, MAHARASHTRA, INDIA		
DATE OF REGISTRATION	30/04/2013	
TITLE	COVER PLATE	
PRIORITY NA		
DESIGN NUMBER	253553	
CLASS	26-04	
1)GOLD MEDAL ELECTRICALS PVT. LTD. A COMPANY REGISTERED UNDER COMPANY ACT 1956 WHOSE ADDRESS IS, A/302, KEMP PLAZA, MIND SPACE, OFF LINK ROAD, CHINCHOLI BUNDER, MALAD (WEST), MUMBAI-400064, MAHARASHTRA, INDIA		
DATE OF REGISTRATION	30/04/2013	
TITLE	NIGHT LAMP	
PRIORITY NA		

DESIGN NUMBER	253177	
CLASS	13-02	
1)SUNDAYA NORDIC AB, A SWEDISH COMPANY, OF FLÖJELBERGSGATAN 12, SE-431 37 MÖLNDAL, SWEDEN		
DATE OF REGISTRATION	16/04/2013	
TITLE	ELECTRICAL ENERGY STORAGE DEVICE FOR CHARGING PORTABLE ELECTRONIC DEVICES	
PRIORITY		
PRIORITY NUMBER	DATE	COUNTRY
699494301	24/10/2012	WIPO



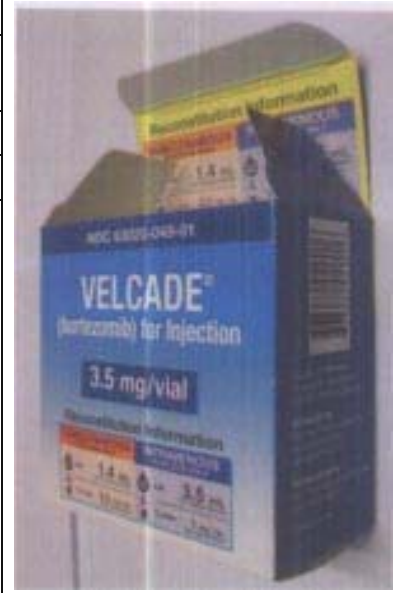
DESIGN NUMBER	249378	
CLASS	23-01	
1)BEIJING KOHLER LTD., A CORPORATION ORGANIZED AND EXISTING UNDER THE LAWS OF CHINA, OF NO. 27 WEST GUO YUAN ROAD, BEIJING, MIYUN COUNTY 101500, CHINA P.R.		
DATE OF REGISTRATION	09/11/2012	
TITLE	FAUCET	
PRIORITY		
PRIORITY NUMBER	DATE	COUNTRY
201230180880.7	11/05/2012	CHINA



DESIGN NUMBER	252000	
CLASS	15-05	
1)MIRC ELECTRONICS LIMITED, G-1, ONIDA HOUSE, MIDC, MAHAKALI CAVES ROAD, ANDHERI (EAST), MUMBAI-400093, MAHARASHTRA, INDIA		
DATE OF REGISTRATION	01/03/2013	
TITLE	WASHING MACHINE	
PRIORITY NA		



DESIGN NUMBER	246754
CLASS	09-03
1)MILLENNIUM PHARMACEUTICALS, INC. OF 40 LANDSDOWNE STREET, CAMBRIDGE MA 02139, UNITED STATES	
DATE OF REGISTRATION	27/07/2012
TITLE	CARTON



PRIORITY

PRIORITY NUMBER	DATE	COUNTRY
US 29/412,007	27/01/2012	U.S.A.

DESIGN NUMBER	251203
CLASS	12-11
1)MR. SANTHOSH, AN INDIAN NATIONAL OF NO. 903, "PADMANAMBA", 3RD MAIN, 8TH CROSS, SARASWATHIPURAM, MYSORE-570009, STATE OF KARNATAKA, INDIA	
DATE OF REGISTRATION	24/01/2013
TITLE	MOTORCYCLE



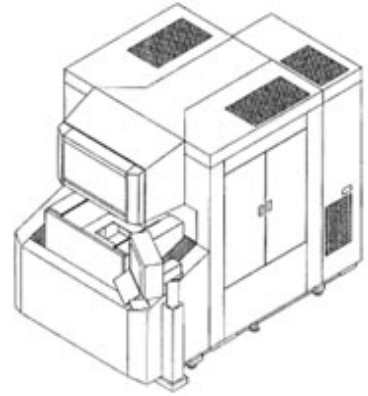
PRIORITY NA

DESIGN NUMBER	252218
CLASS	08-06
1)(1) RAMESHBHAI PANCHABHAI PAMBHAR (2) MAGANBHAI PANCHABHAI PAMBHAR (3) TRIBHOVANBHAI PANCHABHAI PAMBHAR (ALL PARTNERS ARE INDIAN NATIONALS) PARTNERS OF SHREE KHODIYAR INDUSTRIES (REGISTERED UNDER THE INDIAN PARTNERSHIP ACT-1932) HAVING PLACE OF BUSINESS AT : 2/8, GOKULNAGAR, 50 FEET ROAD, RAJKOT-360002 GUJARAT (INDIA)	
DATE OF REGISTRATION	08/03/2013
TITLE	HANDLE



PRIORITY NA

DESIGN NUMBER	252356	
CLASS	15-09	
1)MITSUBISHI ELECTRIC CORPORATION, A JAPANESE COMPANY ORGANIZED AND EXISTING UNDER THE LAWS OF JAPAN, MANUFACTURERS AND MERCHANTS, OF THE ADDRESS 7-3, MARUNOUCHI 2-CHOME, CHIYODA-KU, TOKYO 100-8310, JAPAN		
DATE OF REGISTRATION	15/03/2013	
TITLE	ELECTRIC DISCHARGE MACHINE	
PRIORITY		
PRIORITY NUMBER	DATE	COUNTRY
2012-024583	10/10/2012	JAPAN



DESIGN NUMBER	251779	
CLASS	31-00	
1)M/S. UNOVA APPLIANCES PVT. LTD, HAVING THEIR OFFICE AT 1, LAND MARK, OFF. J. P. ROAD, DAWOOD BAUG, 1ST X LANE, ANDHERI (W), MUMBAI-400058, MAHARASHTRA, INDIA		
DATE OF REGISTRATION	19/02/2013	
TITLE	MIXER WITH GRINDER JAR (FOR PREPARING FOOD AND DRINK)	
PRIORITY NA		



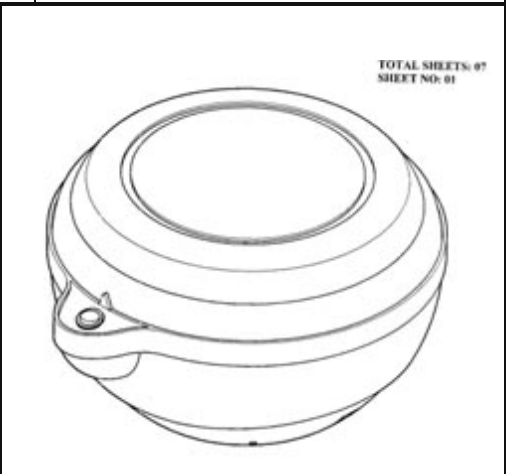
DESIGN NUMBER	251901	
CLASS	08-06	
1)AMITBHAI M. CHOVIYA AND ASHISHBHAI G. GADHIYA BOTH INDIAN NATIONAL PARTNERS OF FORAM SALES CORPORATION AN INDIAN PARTNERSHIP FIRM HAVING ITS PRINCIPAL PLACE OF BUSINESS AT PLOT NO. 7, PATEL IND. AREA, OPP. RIDDHI SIDDHI PARK, NEAR SANDHIYA POOL, (KOTHARIYA), RAJKOT, GUJARAT-INDIA		
DATE OF REGISTRATION	27/02/2013	
TITLE	HANDLE	
PRIORITY NA		



DESIGN NUMBER	253611
CLASS	31-00
1)D. KUMAR JAIN AN INDIAN PROPRIETOR FIRM AT SUMEET ENGINEERING WORKS, A, PINTO APTS., NEAR STATE BANK OF INDIA, VASCO DA GAMA, GOA: 403 802. (INDIA) OF ABOVE ADDRESS	
DATE OF REGISTRATION	01/05/2013
TITLE	JUICER
PRIORITY NA	

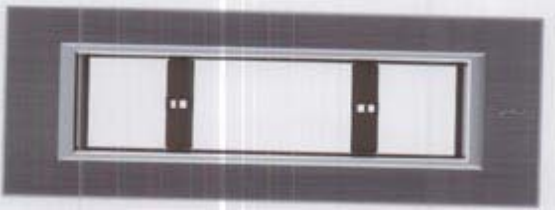


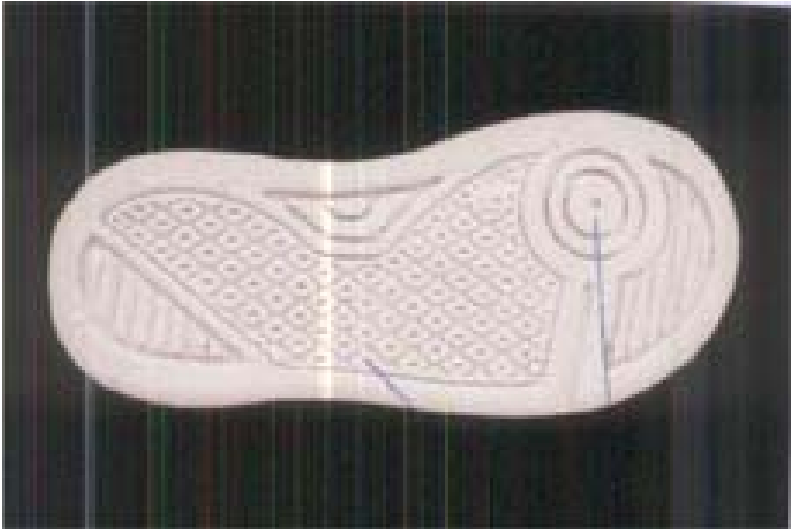
DESIGN NUMBER	252662
CLASS	31-00
1)SEWON KIM, NATIONALITY: REPUBLIC OF KOREA ADDRESS AT 107-1401, HYUNJIN EVERVILLE, MOJEON-RI 755, JEONGGWAN-MYEON, GIJANG-GUN, BUSAN 619-734, REPUBLIC OF KOREA	
DATE OF REGISTRATION	26/03/2013
TITLE	ELECTRIC FERMENTOR
PRIORITY NA	




DESIGN NUMBER	254713
CLASS	07-99
1)MA DESIGN INDIA PRIVATE LIMITED, A COMPANY INCORPORATED IN INDIA HAVING ITS PRINCIPAL PLACE OF BUSINESS AT A-41, SECTOR-80, PHASE-II, NOIDA-201305, U.P. INDIA	
DATE OF REGISTRATION	25/06/2013
TITLE	SHOE HORN
PRIORITY NA	

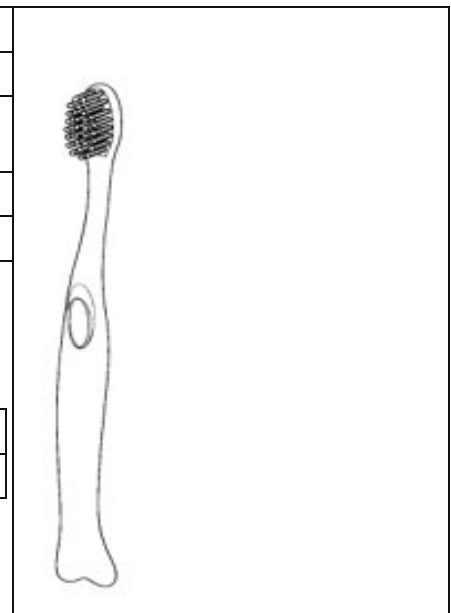


DESIGN NUMBER	253542	
CLASS	13-03	
1)M/S. GOLD MEDAL ELECTRICALS PVT. LTD. AN INDIVIDUAL - INDIAN RESIDENT WHOSE ADDRESS IS, A/302, KEMP PLAZA, MIND SPACE, OFF LINK ROAD, CHINCHOLI BUNDER, MALAD (WEST), MUMBAI-400064, MAHARASHTRA, INDIA		
DATE OF REGISTRATION	30/04/2013	
TITLE	COVER PLATE	
PRIORITY NA		

DESIGN NUMBER	253199	
CLASS	02-04	
1)DHEERAJ FOOT CRAFT INDIA PVT. LTD (DULY INCORPORATED UNDER THE PROVISION OF THE COMPANY ACT, 1956) AT 103, SECTOR-3, HSIIDC, KARNAL-132001 (HARYANA), WHOSE DIRECTOR IS MANISH BHANDARI, OF THE ABOVE ADDRESS		
DATE OF REGISTRATION	17/04/2013	
TITLE	SOLE OF FOOTWEAR	
PRIORITY NA		

DESIGN NUMBER	253368	
CLASS	23-03	
1)ELICA PB INDIA PRIVATE LIMITED, A COMPANY REGISTERED UNDER THE PROVISION OF INDIAN COMPANIES ACT, 1956, HAVING OFFICE ADDRESS AT 37/1/1, KONDHWA PISOLI ROAD, PISOLI, PUNE-411028, MAHARASHTRA, INDIA		
DATE OF REGISTRATION	23/04/2013	
TITLE	BURNER FOR COOKING STOVE	
PRIORITY NA		

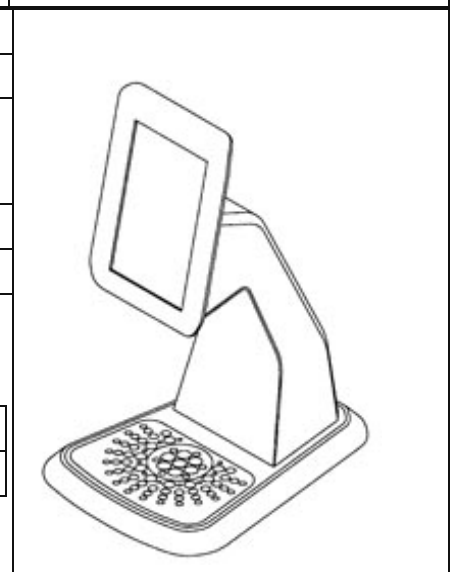
DESIGN NUMBER	251983	
CLASS	04-02	
1)COLGATE-PALMOLIVE COMPANY, A DELAWARE CORPORATION, 300 PARK AVENUE, NEW YORK, NEW YORK 10022, USA		
DATE OF REGISTRATION	01/03/2013	
TITLE	TOOTHBRUSH	
PRIORITY		
PRIORITY NUMBER	DATE	COUNTRY
29/433,360	28/09/2012	U.S.A.



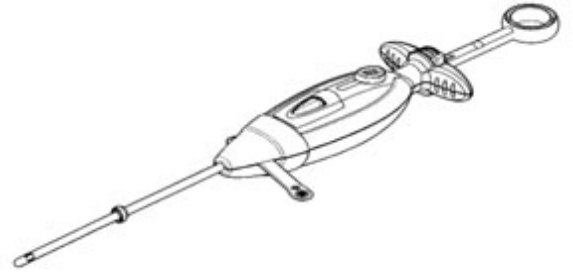
DESIGN NUMBER	252085	
CLASS	15-99	
1)ANIRUDDHA KAMALAKAR NALAVADE PROPRIETOR OF SEPRO-TECH ENGINEERS, PLOT NO: E-17, M.I.D.C. GOKUL SHIRGAON DIST-KOLHAPUR, 416234 MAHARASHTRA, INDIA		
DATE OF REGISTRATION	05/03/2013	
TITLE	DENSITY SEPARATOR EQUIPMENT	
PRIORITY NA		



DESIGN NUMBER	246743	
CLASS	09-01	
1)PEPSICO, INC., INCORPORATED IN NORTH CAROLINA OF 700 ANDERSON HILL ROAD, PURCHASE, NEW YORK 10577, UNITED STATES OF AMERICA		
DATE OF REGISTRATION	26/07/2012	
TITLE	BEVERAGE DISPENSER TOWER	
PRIORITY		
PRIORITY NUMBER	DATE	COUNTRY
29/411, 887	27/01/2012	U.S.A.



DESIGN NUMBER	249013	
CLASS	24-01	
1)FEMASYS INC., A DELAWARE CORPORATION, OF 5000 RESEARCH COURT, SUITE 100, SUWANEE, GEORGIA 30024, U.S.A.		
DATE OF REGISTRATION	25/10/2012	
TITLE	DEVICE FOR DELIVERY OF MEDICAL SOLUTIONS	
PRIORITY		
PRIORITY NUMBER	DATE	COUNTRY
29/418, 946	24/04/2012	U.S.A.

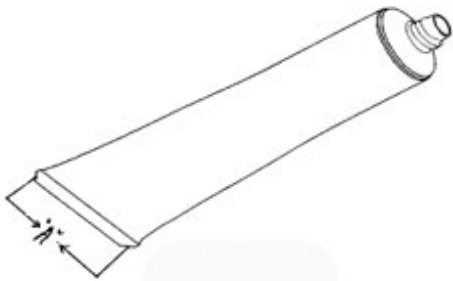



DESIGN NUMBER	252921	
CLASS	09-01	
1)PEARL POLYMERS LIMITED, 204, ROHIT HOUSE, 3, TOLSTOY MARG, NEW DELHI-110001, INDIA, A COMPANY INCORPORATED UNDER THE COMPANIES ACT, 1956, OF THE ABOVE ADDRESS		
DATE OF REGISTRATION	05/04/2013	
TITLE	BOTTLE	
PRIORITY NA		

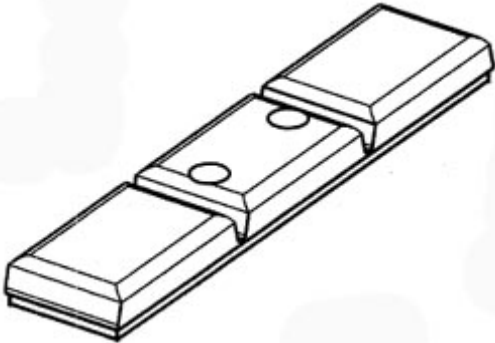


DESIGN NUMBER	247782	
CLASS	12-12	
1)STOKKE AS, A NORWEGIAN COMPANY OF HAAHJEM, 6260 SKODGE, NORWAY		
DATE OF REGISTRATION	10/09/2012	
TITLE	PERAMBULATOR	
PRIORITY		
PRIORITY NUMBER	DATE	COUNTRY
20120232	13/03/2012	NORWAY



DESIGN NUMBER	248365	
CLASS	09-05	
1)RAJENDRA KRISHNA PATIL, OF RAMAKRISHNA MISSION VIVEKANANDA UNIVERSITY, P.O.: BELUR MATH, HOWRAH-711202, WEST BENGAL, INDIA, OF THE ABOVE ADDRESS		
DATE OF REGISTRATION	28/09/2012	
TITLE	TUBE	
PRIORITY NA		

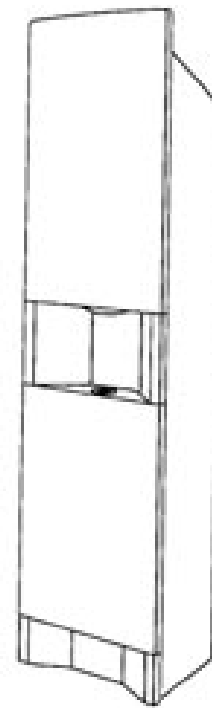
DESIGN NUMBER	251831	
CLASS	08-99	
1)EBCO PVT. LTD., A COMPANY INCORPORATED UNDER THE INDIAN COMPANIES ACT, AT 402-3, HYDE PARK, SAKI VIHAR ROAD, MUMBAI-400072, MAHARASHTRA, INDIA		
DATE OF REGISTRATION	22/02/2013	
TITLE	TABLE PARTITION CLAMP	
PRIORITY NA		

DESIGN NUMBER	251918	
CLASS	12-16	
1)WEGMANN AUTOMOTIVE GMBH & CO. KG, RUDOLF-DIESEL-STRAÙE 6, 97209 VEITSHÖCHHEIM, GERMANY, NATIONALITY: GERMANY		
DATE OF REGISTRATION	27/02/2013	
TITLE	TYRE WEIGHT BALANCING DEVICE	
PRIORITY		
PRIORITY NUMBER	DATE	COUNTRY
002092924-0001	27/08/2012	OHIM

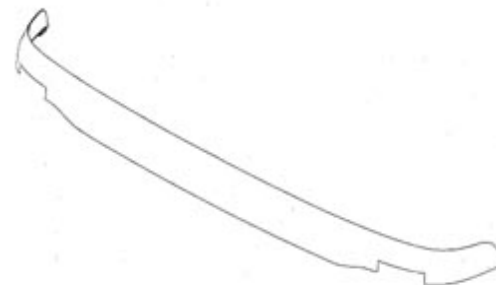
DESIGN NUMBER	253650	
CLASS	24-04	
1)THE PROCTER & GAMBLE COMPANY, A BODY CORPORATE INCORPORATED UNDER THE LAWS OF UNITED STATES OF AMERICA, HAVING ITS REGISTERED OFFICE AT ONE PROCTER & GAMBLE PLAZA, CINCINNATI, OHIO - 45202, UNITED STATES OF AMERICA		
DATE OF REGISTRATION	03/05/2013	
TITLE	SANITARY NAPKIN	
PRIORITY		
PRIORITY NUMBER	DATE	COUNTRY
29/436,514	06/11/2012	U.S.A.

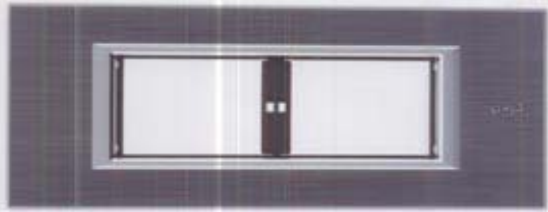



DESIGN NUMBER	246521	
CLASS	09-01	
1)PEPSICO, INC., INCORPORATED IN NORTH CAROLINA OF 700 ANDERSON HILL ROAD, PURCHASE, NEW YORK 10577, UNITED STATES OF AMERICA		
DATE OF REGISTRATION	16/07/2012	
TITLE	BEVERAGE DISPENSER	
PRIORITY		
PRIORITY NUMBER	DATE	COUNTRY
29/411, 037	16/01/2012	U.S.A.




DESIGN NUMBER	252796	
CLASS	12-16	
1)SCANIA CV AB, SE-151 87, SÖDERTÄLJE, SWEDEN		
DATE OF REGISTRATION	03/04/2013	
TITLE	SUN VISOR	
PRIORITY		
PRIORITY NUMBER	DATE	COUNTRY
2012/0436	04/10/2012	SWEDEN

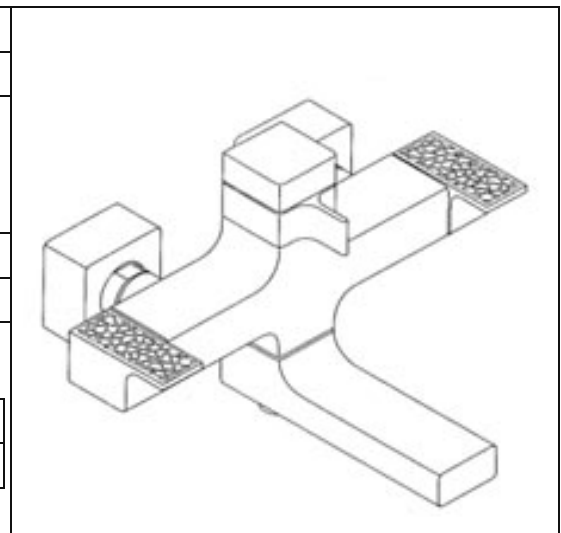


DESIGN NUMBER	253540	
CLASS	13-03	
1)GOLD MEDAL ELECTRICALS PVT. LTD. AN INDIVIDUAL - INDIAN RESIDENT WHOSE ADDRESS IS, A/302, KEMP PLAZA, MIND SPACE, OFF LINK ROAD, CHINCHOLI BUNDER, MALAD (WEST), MUMBAI-400064, MAHARASHTRA, INDIA		
DATE OF REGISTRATION	30/04/2013	
TITLE	COVER PLATE	
PRIORITY NA		

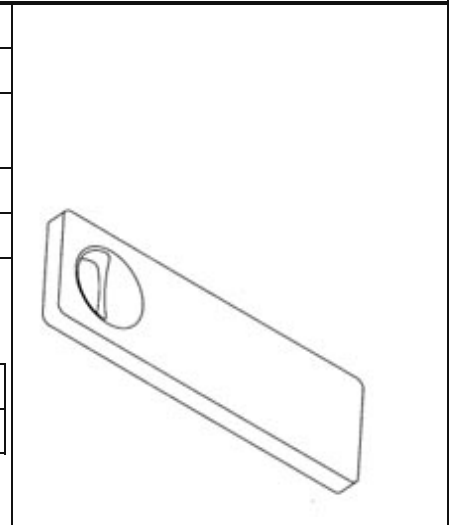
DESIGN NUMBER	253218	
CLASS	09-09	
1)LEELA DHAR EVENT ORGANISERS, 339-R, 2ND FLOOR, MODEL TOWN, LUDHIANA-141002 (PB) INDIA AN INDIAN PROPRIETORSHIP FIRM WHOSE PROPRIETOR IS:- SMT. SATINDER KAUR BEING INDIAN NATIONALS OF THE ABOVE ADDRESS		
DATE OF REGISTRATION	18/04/2013	
TITLE	DUSTBIN	
PRIORITY NA		

DESIGN NUMBER	253245	
CLASS	08-05	
1)VENUS INDUSTRIAL CORPORATION, 424, INDL. AREA-A, LUDHIANA-141003 (PUNJAB) INDIA AN INDIAN PARTNERSHIP FIRM WHOSE PARTNERS ARE:- BIPIN GUPTA, ASHOK GUPTA BEING INDIAN NATIONALS OF THE ABOVE ADDRESS		
DATE OF REGISTRATION	19/04/2013	
TITLE	PIPEWRENCH	
PRIORITY NA		

DESIGN NUMBER	249365	
CLASS	23-01	
1)BEIJING KOHLER LTD., A CORPORATION ORGANIZED AND EXISTING UNDER THE LAWS OF CHINA, OF NO. 27 WEST GUO YUAN ROAD, BEIJING, MIYUN COUNTY 101500, CHINA P.R.		
DATE OF REGISTRATION	09/11/2012	
TITLE	FAUCET	
PRIORITY		
PRIORITY NUMBER	DATE	COUNTRY
201230180849.3	11/05/2012	CHINA




DESIGN NUMBER	251981	
CLASS	14-02	
1)KABUSHIKI KAISHA TOSHIBA, A JAPANESE CORPORATION, OF 1-1, SHIBAURA 1-CHOME, MINATO-KU, TOKYO, JAPAN		
DATE OF REGISTRATION	01/03/2013	
TITLE	RECORDING MEDIUM	
PRIORITY		
PRIORITY NUMBER	DATE	COUNTRY
2012-028870	27/11/2012	JAPAN




DESIGN NUMBER	253957	
CLASS	09-07	
1)PEARL POLYMERS LIMITED, OF 204, ROHIT HOUSE, 3, TOLSTOY MARG, NEW DELHI-110001, INDIA, A COMPANY INCORPORATED UNDER THE COMPANIES ACT, 1956, OF THE ABOVE ADDRESS		
DATE OF REGISTRATION	17/05/2013	
TITLE	CAP OF BOTTLE	
PRIORITY NA		



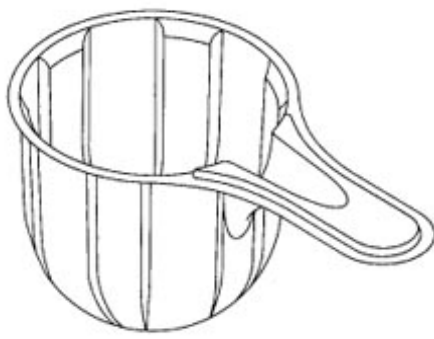



DESIGN NUMBER	252226		
CLASS	12-16		
1)1. NHK SPRING CO., LTD, HAVING REGISTERED OFFICE AT 10, FUKUURA 3-CHOME, KANAZAWA-KU, YOKOHAMA-CITY, KANAGAWA 236-0004, JAPAN AND, 2. NHK SPRING PRODUCTION COMPANY HAVING REGISTERED OFFICE AT 56, SUZUKAWA, ISEHARA-CITY, KANAGAWA 259-1146 JAPAN			
DATE OF REGISTRATION	08/03/2013		
TITLE	CLINCH FOR AUTOMOBILE STABILIZER		
PRIORITY			
PRIORITY NUMBER	DATE	COUNTRY	
201230434402.4	11/09/2012	CHINA	
DESIGN NUMBER			
CLASS	09-07		
1)SH. MANISH GOYAL, 133, KAPIL VIHAR, PITAM PURA, DELHI-110034, (INDIA) AN INDIAN NATIONAL OF THE ABOVE ADDRESS			
DATE OF REGISTRATION	18/02/2013		
TITLE	BOTTLE CAP		
PRIORITY NA			
DESIGN NUMBER			
CLASS	23-02		
1)EURO-ANCHOR SANITARYWARE INDUSTRIES PVT LTD, A COMPANY INCORPORATED UNDER THE INDIAN COMPANIES ACT, HAVING ITS REGISTERED OFFICE AT OPP. JAMVALI BUS STOP, CHOTILA ROAD, THANGADH 363530, DIST: SURENDRANAGAR, GUJARAT, INDIA			
DATE OF REGISTRATION	22/02/2013		
TITLE	WATER CLOSET		
PRIORITY NA			

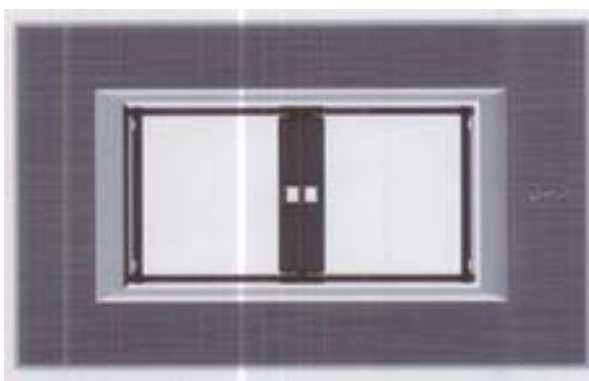
DESIGN NUMBER	253614	
CLASS	31-00	
1)D. KUMAR JAIN AN INDIAN PROPRIETOR FIRM AT SUMEET ENGINEERING WORKS, A, PINTO APTS., NEAR STATE BANK OF INDIA, VASCO DA GAMA, GOA: 403 802. (INDIA) OF ABOVE ADDRESS		
DATE OF REGISTRATION	01/05/2013	
TITLE	MIXER GRINDER	
PRIORITY NA		

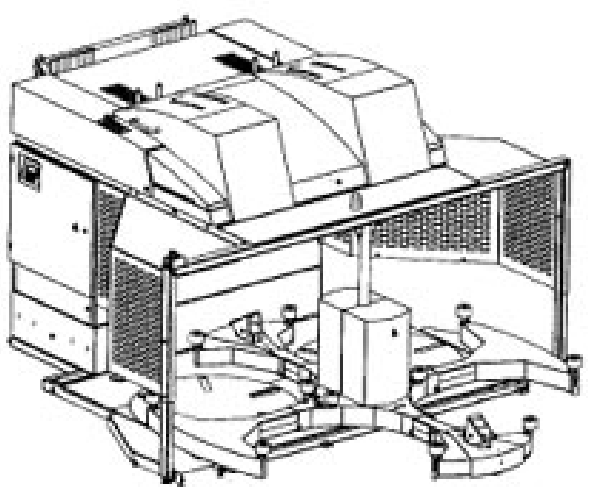
DESIGN NUMBER	252795	
CLASS	12-16	
1)SCANIA CV AB, SE-151 87, SÖDERTÄLJE, SWEDEN		
DATE OF REGISTRATION	03/04/2013	
TITLE	SUN VISOR	
PRIORITY		
PRIORITY NUMBER	DATE	COUNTRY
2012/0436	04/10/2012	SWEDEN


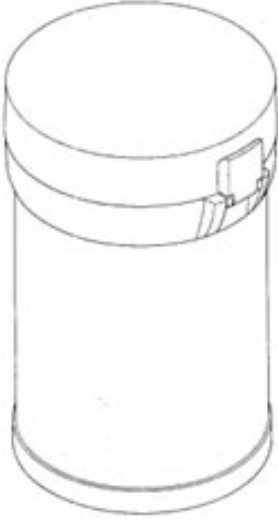

DESIGN NUMBER	252843	
CLASS	11-01	
1)CLEAN WRAP CO., LTD., 101-39, SEOBU-RO 1499BEON-GIL, JUCHON-MYEON, GIMHAE-SI, GYEOGSANGNAM-DO, REPUBLIC OF KOREA, A KOREAN CORPORATION		
DATE OF REGISTRATION	03/04/2013	
TITLE	PENDANT	
PRIORITY NA		

DESIGN NUMBER	252628		
CLASS	07-05		
1)KONINKLIJKE PHILIPS ELECTRONICS N.V., A COMPANY ORGANIZED AND EXISTING UNDER THE LAWS OF THE KINGDOM OF THE NETHERLANDS, RESIDING AT EINDHOVEN, WHOSE POST-OFFICE ADDRESS IS HIGH TECH CAMPUS 5, 5656 AE EINDHOVEN, THE NETHERLANDS			
DATE OF REGISTRATION	22/03/2013		
TITLE	GARMENT STEAMER		
PRIORITY			
PRIORITY NUMBER	DATE	COUNTRY	
002107953-0001	24/09/2012	OHIM	
DESIGN NUMBER	253471		
CLASS	08-07		
1)SAFCON SEALS PRIVATE LIMITED, OF 3-B, CAMAC STREET, KOLKATA-700016, INDIA, A COMPANY INCORPORATED UNDER THE COMPANIES ACT, 1956, OF THE ABOVE ADDRESS			
DATE OF REGISTRATION	26/04/2013		
TITLE	SEALING DEVICE		
PRIORITY NA			
DESIGN NUMBER	253482		
CLASS	07-05		
1)RECKITT BENCKISER N. V., A DUTCH COMPANY OF SIRIUSDREEF 14, 2132 WT HOOFDORP, NETHERLANDS			
DATE OF REGISTRATION	29/04/2013		
TITLE	DOSAGE CONTAINER		
PRIORITY			
PRIORITY NUMBER	DATE	COUNTRY	
002126797-0002	29/10/2012	OHIM	

DESIGN NUMBER	253500	
CLASS	09-03	
1)VIKRAM MOHANLAL NAHAR TRADING UNDER THE NAME AND STYLE OF VARDHAMAN HOUSEWARE A SOLE PROPRIETORSHIP CONCERN HAVING ADDRESS AT 144/B, CHIMLI PHATA, VILLAGE KURULI, PUNE NASHIK HIGHWAY, NEAR CHAKAN, PUNE 410501, MAHARASHTRA, INDIA		
DATE OF REGISTRATION	29/04/2013	
TITLE	CONTAINER	
PRIORITY NA		

DESIGN NUMBER	253539	
CLASS	13-03	
1)GOLD MEDAL ELECTRICALS PVT. LTD. A COMPANY REGISTERED UNDER COMPANY ACT 1956 WHOSE ADDRESS IS, A/302, KEMP PLAZA, MIND SPACE, OFF LINK ROAD, CHINCHOLI BUNDER, MALAD (WEST), MUMBAI-400064, MAHARASHTRA, INDIA		
DATE OF REGISTRATION	30/04/2013	
TITLE	COVER PLATE	
PRIORITY NA		

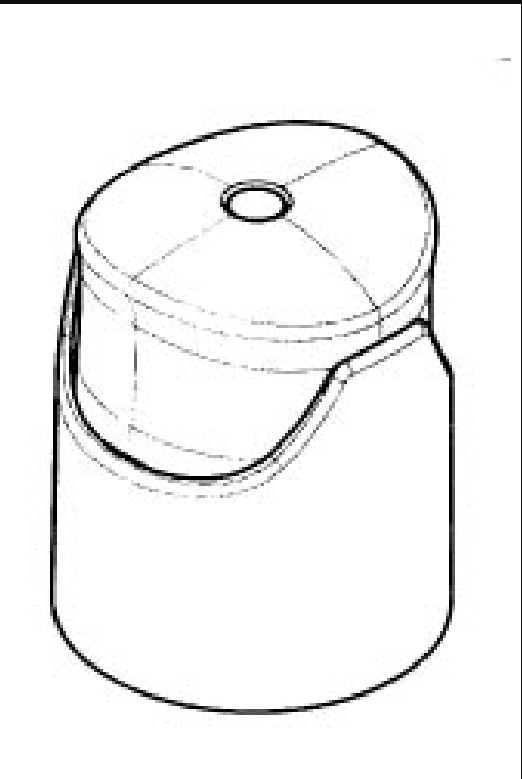
DESIGN NUMBER	247466	
CLASS	15-06	
1)RIETER INGOLSTADT GMBH, A GERMAN COMPANY OF FRIEDRICH-EBERT-STRASSE 84, 85055 INGOLSTADT, GERMANY		
DATE OF REGISTRATION	28/08/2012	
TITLE	DRAWING FRAME FOR DRAFTING FIBERS	
PRIORITY		
PRIORITY NUMBER	DATE	COUNTRY
40 2012 100 130.2	29/02/2012	GERMANY

DESIGN NUMBER	253217	
CLASS	09-01	
1)HERBAL TRENDS, BADDI-NALAGARH ROAD, NEAR PANCHAYAT GHAR, P.O. KISHANPURA, DISTT. SOLAN (H.P.)-174101 INDIA AN INDIAN PROPRIETORSHIP FIRM WHOSE PROPRIETOR IS:- SMT. ASHA GARG BEING INDIAN NATIONALS OF THE ABOVE ADDRESS		
DATE OF REGISTRATION	18/04/2013	
TITLE	BOTTLE	
PRIORITY NA		
DESIGN NUMBER	247141	
CLASS	07-01	
1)ZOJIRUSHI CORPORATION, 20-5, TENMA 1-CHOME, KITA-KU, OSAKA-SHI, OSAKA 530-8511, JAPAN, A CORPORATION OF JAPAN		
DATE OF REGISTRATION	13/08/2012	
TITLE	THERMAL FOOD JAR	
PRIORITY NA		
DESIGN NUMBER	251979	
CLASS	18-01	
1)BASHEER AHAMED NAINA MOHAMED, AN INDIAN NATIONAL OF A1-1857, 13TH MAIN ROAD, 6TH AVENUE, ANNA NAGAR WEST, CHENNAI-600040, TAMIL NADU, INDIA		
DATE OF REGISTRATION	01/03/2013	
TITLE	ABACUS	
PRIORITY NA		

DESIGN NUMBER	253996
CLASS	05-05
1)PARRY MURRAY & CO. LTD., COMPANY REGISTERED UNDER THE LAWS OF ENGLAND AND WALES, HAVING ITS PRINCIPAL PLACE OF BUSINESS AT 3RD FLOOR, SIMPSON HOUSE, 6 CHERRY ORCHARD ROAD, CROYDON, CRO 6BA, UNITED KINGDOM	
DATE OF REGISTRATION	21/05/2013
TITLE	TEXTILE FABRIC
PRIORITY NA	

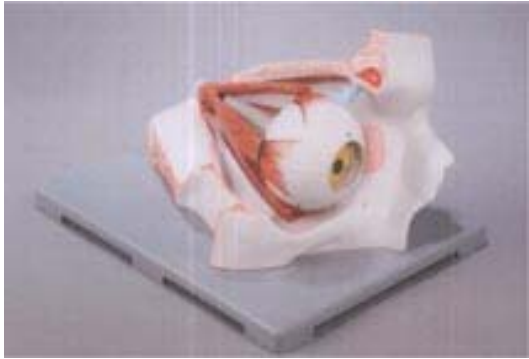



DESIGN NUMBER	249303	
CLASS	09-07	
1)MBF EMBALAGENS LTDA, A LIMITED LIABILITY COMPANY INCORPORATED UNDER THE LAWS OF BRAZIL, HAVING ITS ADDRESS AT RUA PIONEIRA MARIA CAVALCANTE RUY, 1449 LOTE 350C, 87065-090, MARINGA/PR, BRAZIL		
DATE OF REGISTRATION	07/11/2012	
TITLE	DISPENSING CLOSURE	
PRIORITY		
PRIORITY NUMBER	DATE	COUNTRY
29/436,118	01/11/2012	U.S.A.





DESIGN NUMBER	252310
CLASS	26-05
1)VIBHOR SOGANI, AN INDIAN NATIONAL, OF THE ADDRESS A-47/10, G.F. D.L.F. PHASE-I, GURGAON-122001, HARYANA, INDIA	
DATE OF REGISTRATION	14/03/2013
TITLE	LAMPSHADE
PRIORITY NA	



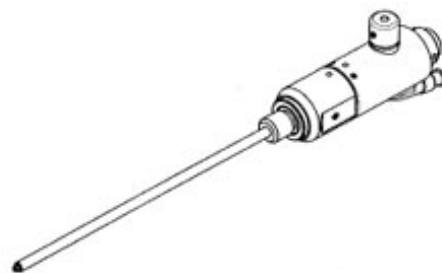
DESIGN NUMBER	252364	
CLASS	19-07	
1)SUNIT JAIN A CITIZEN OF INDIA OF ARIHANT INDUSTRIES, 40 HSIDC INDUSTRIAL ESTATE, AMBALA CANTT. 133001		
DATE OF REGISTRATION	15/03/2013	
TITLE	TEACHING AID	
PRIORITY NA		

DESIGN NUMBER	248608	
CLASS	24-02	
1)BECTON, DICKINSON AND COMPANY, A CORPORATION ORGANISED UNDER THE LAWS OF THE UNITED STATES OF AMERICA, OF 1 BECTON DRIVE, MC 110, FRANKLIN LAKES, NJ 07417-1880, THE UNITED STATES OF AMERICA		
DATE OF REGISTRATION	12/10/2012	
TITLE	VESSEL FOR A VESSEL ASSEMBLY	
PRIORITY		
PRIORITY NUMBER	DATE	COUNTRY
29/418,181	12/04/2012	U.S.A.

DESIGN NUMBER	254714	
CLASS	07-99	
1)MA DESIGN INDIA PRIVATE LIMITED, A COMPANY INCORPORATED IN INDIA HAVING ITS PRINCIPAL PLACE OF BUSINESS AT A-41, SECTOR-80, PHASE-II, NOIDA-201305, U.P. INDIA		
DATE OF REGISTRATION	25/06/2013	
TITLE	SHOE HORN	
PRIORITY NA		

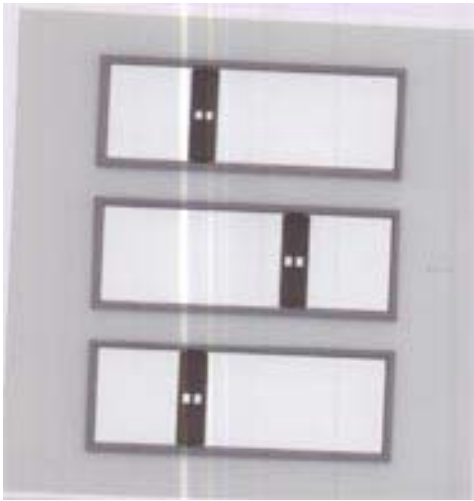

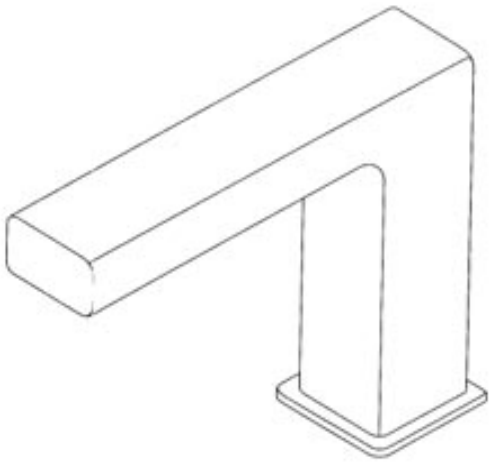
DESIGN NUMBER	252561	
CLASS	30-02	
1)MUDITA MULL, OF MULL BUILDINGS, 4, ASHOK MARG, LUCKNOW-226001, INDIA, AN INDIAN CITIZEN		
DATE OF REGISTRATION	20/03/2013	
TITLE	BIRDCAGE	
PRIORITY NA		

DESIGN NUMBER	249977	
CLASS	24-02	
1)KARL STORZ GMBH & CO. KG, A GERMAN COMPANY OF MITTELSTRASSE 8, D-78532 TUTTLINGEN, GERMANY		
DATE OF REGISTRATION	06/12/2012	
TITLE	HANDLE WITHSHAFT FOR NATURAL ORIFICE TRANSLUMINAL ENDOSCOPIC SURGERY	
PRIORITY		
PRIORITY NUMBER	DATE	COUNTRY
002055913	12/06/2012	OHIM



DESIGN NUMBER	253447	
CLASS	23-02	
1)EURO-ANCHOR SANITARYWARE INDUSTRIES PVT LTD, A COMPANY INCORPORATED UNDER THE INDIAN COMPANIES ACT, HAVING ITS REGISTERED OFFICE AT OPP. JAMVALI BUS STOP, CHOTILA ROAD, THANGADH 363530, DIST: SURENDRANAGAR, GUJARAT, INDIA		
DATE OF REGISTRATION	26/04/2013	
TITLE	WATER CLOSET	
PRIORITY NA		

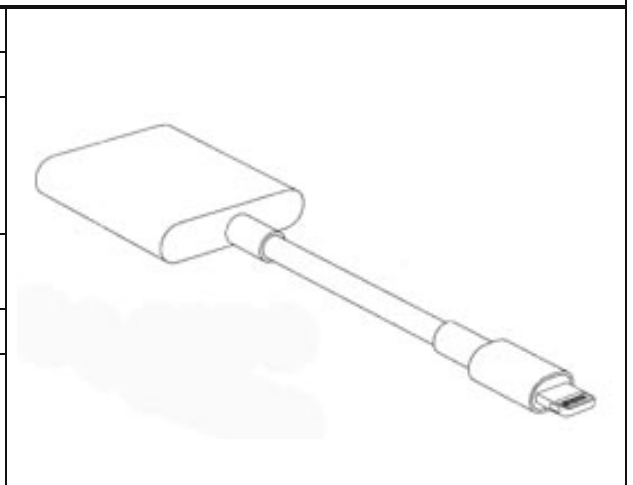


DESIGN NUMBER	253533		
CLASS	13-03		
1)GOLD MEDAL ELECTRICALS PVT. LTD. A COMPANY REGISTERED UNDER COMPANY ACT 1956 WHOSE ADDRESS IS, A/302, KEMP PLAZA, MIND SPACE, OFF LINK ROAD, CHINCHOLI BUNDER, MALAD (WEST), MUMBAI-400064, MAHARASHTRA, INDIA			
DATE OF REGISTRATION	30/04/2013		
TITLE	COVER PLATE		
PRIORITY NA			
DESIGN NUMBER	253543		
CLASS	13-03		
1)GOLD MEDAL ELECTRICALS PVT. LTD. A COMPANY REGISTERED UNDER COMPANY ACT 1956 WHOSE ADDRESS IS, A/302, KEMP PLAZA, MIND SPACE, OFF LINK ROAD, CHINCHOLI BUNDER, MALAD (WEST), MUMBAI-400064, MAHARASHTRA, INDIA			
DATE OF REGISTRATION	30/04/2013		
TITLE	COVER PLATE		
PRIORITY NA			
DESIGN NUMBER	249376		
CLASS	23-01		
1)BEIJING KOHLER LTD., A CORPORATION ORGANIZED AND EXISTING UNDER THE LAWS OF CHINA, OF NO. 27 WEST GUO YUAN ROAD, BEIJING, MIYUN COUNTY 101500, CHINA P.R.			
DATE OF REGISTRATION	09/11/2012		
TITLE	FAUCET		
PRIORITY			
PRIORITY NUMBER	DATE	COUNTRY	
201230180880.7	11/05/2012	CHINA	

DESIGN NUMBER	252133
CLASS	01-01
1)M/S. SWEETON FOODS PVT. LTD., (A COMPANY DULY INCORPORATED UNDER THE INDIAN COMPANIES ACT, 1956), E-3, SECTOR-1, BAWANA, DELHI-110039	
DATE OF REGISTRATION	06/03/2013
TITLE	CHOCOLATE
PRIORITY NA	




DESIGN NUMBER	252193	
CLASS	14-02	
1)APPLE INC., 1 INFINITE LOOP, CUPERTINO, CALIFORNIA 95014, UNITED STATES OF AMERICA, A CORPORATION INCORPORATED IN THE STATE OF CALIFORNIA		
DATE OF REGISTRATION	07/03/2013	
TITLE	ADAPTER FOR ELECTRONIC DEVICE	
PRIORITY		
PRIORITY NUMBER	DATE	COUNTRY
29/431,841	11/09/2012	U.S.A.



DESIGN NUMBER	253917
CLASS	23-02
1)HALLMARK CREATIONS PRIVATE LIMITED (A COMPANY INCORPORATED UNDER THE COMPANIES ACT, 1956) HAVING ITS PRINCIPAL PLACE OF BUSINESS AT PLOT NO. 7/8, SURVEY NO. 20, EVEREST INDUSTRIAL AREA, NEAR PERFECT (TATA) SHOWROOM, NATIONAL HIGHWAY NO. 8, VAVDI-DIST. RAJKOT-360001, GUJARAT-INDIA	
DATE OF REGISTRATION	17/05/2013
TITLE	TOWEL RACK
PRIORITY NA	

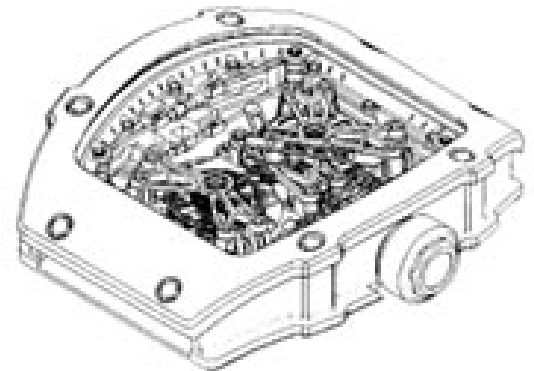


DESIGN NUMBER	251019	
CLASS	15-03	
1)SIRAJ FATIMA (PROPRIETOR), NATIONALITY INDIAN TRADING AS HI-TECH AGRO INDUSTRIES. (THIS IS PROPRIETORSHIP FIRM) NATIONALITY INDIAN. WHOSE ADDRESS IS ACROSS BOTH CANALS, GABA CHOWK, STREET NO-3, SHONDAPUR, JATAL ROAD, PANIPAT-132103, HARYANA		
DATE OF REGISTRATION	17/01/2013	
TITLE	AGRICULTURAL MACHINERY	
PRIORITY NA		
DESIGN NUMBER	252922	
CLASS	09-01	
1)PEARL POLYMERS LIMITED, OF 204, ROHIT HOUSE, 3, TOLSTOY MARG, NEW DELHI-110001, INDIA, A COMPANY INCORPORATED UNDER THE COMPANIES ACT, 1956, OF THE ABOVE ADDRESS		
DATE OF REGISTRATION	05/04/2013	
TITLE	JAR	
PRIORITY NA		
DESIGN NUMBER	251832	
CLASS	08-99	
1)EBCO PVT. LTD., A COMPANY INCORPORATED UNDER THE INDIAN COMPANIES ACT, AT 402-3, HYDE PARK, SAKI VIHAR ROAD, MUMBAI-400072, MAHARASHTRA, INDIA		
DATE OF REGISTRATION	22/02/2013	
TITLE	TABLE PARTITION CLAMP	
PRIORITY NA		

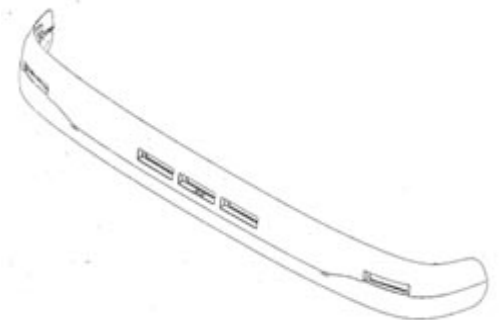
DESIGN NUMBER	251919	
CLASS	12-16	
1)WEGMANN AUTOMOTIVE GMBH & CO. KG, RUDOLF-DIESEL-STRAÙE 6, 97209 VEITSHÖCHHEIM, GERMANY, NATIONALITY: GERMANY		
DATE OF REGISTRATION	27/02/2013	
TITLE	TYRE WEIGHT BALANCING DEVICE	
PRIORITY		
PRIORITY NUMBER	DATE	COUNTRY
002092924-0003	27/08/2012	OHIM




DESIGN NUMBER	253758	
CLASS	10-02	
1)TURLEN HOLDING SA, A SWISS COMPANY, C/O SIPO S.A., CHEMIN DU CHÂTEAU 26A, 2805 SOYHIÈRES, SWITZERLAND		
DATE OF REGISTRATION	08/05/2013	
TITLE	WATCH	
PRIORITY		
PRIORITY NUMBER	DATE	COUNTRY
710429101	21/12/2012	WIPO




DESIGN NUMBER	252794	
CLASS	12-16	
1)SCANIA CV AB, SE-151 87, SÖDERTÄLJE, SWEDEN		
DATE OF REGISTRATION	03/04/2013	
TITLE	SUN VISOR	
PRIORITY		
PRIORITY NUMBER	DATE	COUNTRY
2012/0436	04/10/2012	SWEDEN



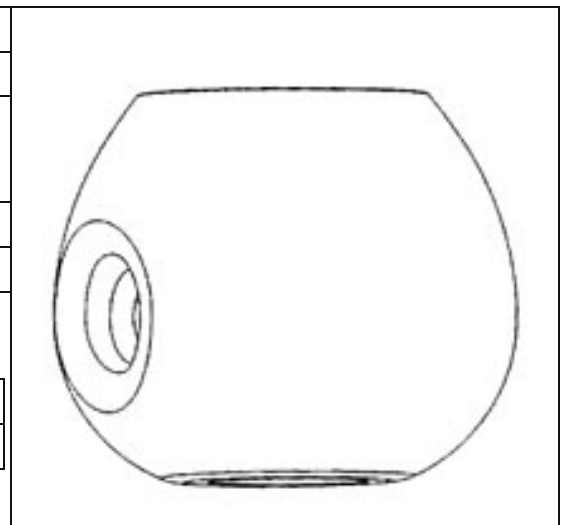
DESIGN NUMBER	252842		
CLASS	11-01		
1)CLEAN WRAP CO., LTD., 101-39, SEOBU-RO 1499BEON-GIL, JUCHON-MYEON, GIMHAE-SI, GYEOGSANGNAM-DO, REPUBLIC OF KOREA, A KOREAN CORPORATION			
DATE OF REGISTRATION	03/04/2013		
TITLE	PENDANT		
PRIORITY NA			
DESIGN NUMBER	252627		
CLASS	26-04		
1)KONINKLIJKE PHILIPS ELECTRONICS N.V., A COMPANY ORGANIZED AND EXISTING UNDER THE LAWS OF THE KINGDOM OF THE NETHERLANDS, RESIDING AT EINDHOVEN, WHOSE POST-OFFICE ADDRESS IS HIGH TECH CAMPUS 5, 5656 AE EINDHOVEN, THE NETHERLANDS			
DATE OF REGISTRATION	22/03/2013		
TITLE	SOLID STATE LIGHTING SPOT		
PRIORITY			
PRIORITY NUMBER	DATE	COUNTRY	
002107995-0001	24/09/2012	OHIM	
DESIGN NUMBER	249980		
CLASS	24-02		
1)KARL STORZ GMBH & CO. KG, A GERMAN COMPANY OF MITTELSTRASSE 8, D-78532 TUTTLINGEN, GERMANY			
DATE OF REGISTRATION	06/12/2012		
TITLE	VIDEO OTOSCOPE		
PRIORITY			
PRIORITY NUMBER	DATE	COUNTRY	
002055913	12/06/2012	OHIM	

DESIGN NUMBER	253537	
CLASS	13-03	
1)GOLD MEDAL ELECTRICALS PVT. LTD. A COMPANY REGISTERED UNDER COMPANY ACT 1956 WHOSE ADDRESS IS, A/302, KEMP PLAZA, MIND SPACE, OFF LINK ROAD, CHINCHOLI BUNDER, MALAD (WEST), MUMBAI-400064, MAHARASHTRA, INDIA		
DATE OF REGISTRATION	30/04/2013	
TITLE	COVER PLATE	
PRIORITY NA		

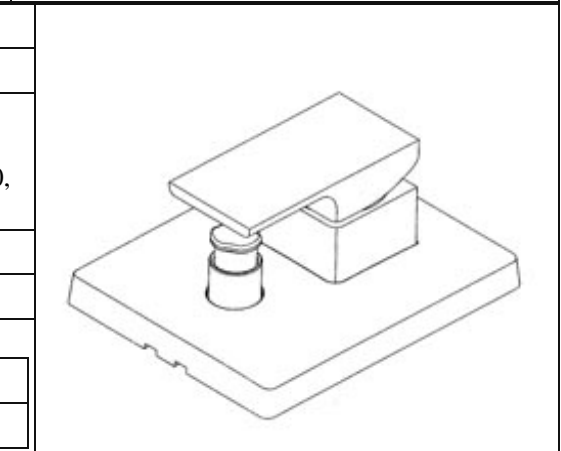
DESIGN NUMBER	253156	
CLASS	09-07	
1)K. KASI KANNAN, SOLE PROPRIETOR, TRADING AS MANDAGINI AGENCIES, 126, RAMANAICKEN STREET, ROYAPURAM, CHENNAI-600013, TAMIL NADU, INDIA, WHICH IS AN INDIAN CONCERN OF ABOVE ADDRESS		
DATE OF REGISTRATION	15/04/2013	
TITLE	CONTAINER SEALER	
PRIORITY NA		

DESIGN NUMBER	253179	
CLASS	09-09	
1)NAYASA WORLD OF SURVEY NO. 655/1C NEAR SOMNANATH CO.OP.SOCIETY, DABHEL NANI DAMAN, DAMAN-396310, (UNION TERRITORIES) DAMAN, INDIA, INDIAN PARTNERSHIP FIRM, WHOSE PARTNERS ARE RUPA SACHDEV, MANASI SACHDEV & KISHOR MALIK, ALL INDIAN NATIONALS		
DATE OF REGISTRATION	16/04/2013	
TITLE	BASKET	
PRIORITY NA		

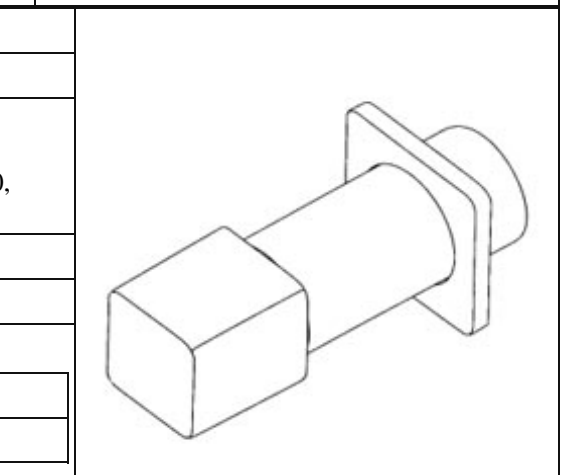
DESIGN NUMBER	237862	
CLASS	07-01	
1)TPRESSO SA ROUTE DU VILLAGE 76 CH-1040 SAINT-BARTHELEMY SWITZERLAND		
DATE OF REGISTRATION	06/07/2011	
TITLE	TEA GLASS	
PRIORITY		
PRIORITY NUMBER	DATE	COUNTRY
580957001	07/01/2011	WIPO





DESIGN NUMBER	249362	
CLASS	23-01	
1)BEIJING KOHLER LTD., A CORPORATION ORGANIZED AND EXISTING UNDER THE LAWS OF CHINA, OF NO. 27 WEST GUO YUAN ROAD, BEIJING, MIYUN COUNTY 101500, CHINA P.R.		
DATE OF REGISTRATION	09/11/2012	
TITLE	FAUCET	
PRIORITY		
PRIORITY NUMBER	DATE	COUNTRY
201230180853.X	11/05/2012	CHINA





DESIGN NUMBER	249380	
CLASS	23-01	
1)BEIJING KOHLER LTD., A CORPORATION ORGANIZED AND EXISTING UNDER THE LAWS OF CHINA, OF NO. 27 WEST GUO YUAN ROAD, BEIJING, MIYUN COUNTY 101500, CHINA P.R.		
DATE OF REGISTRATION	09/11/2012	
TITLE	WATER VALVE	
PRIORITY		
PRIORITY NUMBER	DATE	COUNTRY
201230180878.X	11/05/2012	CHINA

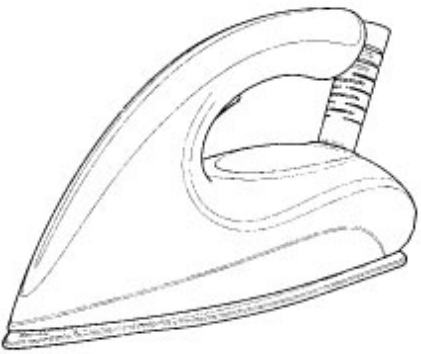



DESIGN NUMBER	251978	
CLASS	18-01	
1)BASHEER AHAMED NAINA MOHAMED, AN INDIAN NATIONAL OF A1-1857, 13TH MAIN ROAD, 6TH AVENUE, ANNA NAGAR WEST, CHENNAI-600040, TAMIL NADU, INDIA		
DATE OF REGISTRATION	01/03/2013	
TITLE	ABACUS	
PRIORITY NA		

DESIGN NUMBER	252002	
CLASS	30-99	
1)INDIAN COUNCIL OF AGRICULTURAL RESEARCH, KRISHI BHAVAN, DR. RAJENDRA PRASAD ROAD, NEW DELHI-110001, INDIAN		
DATE OF REGISTRATION	04/03/2013	
TITLE	URINARY CATHETER USED FOR ANIMALS	
PRIORITY NA		

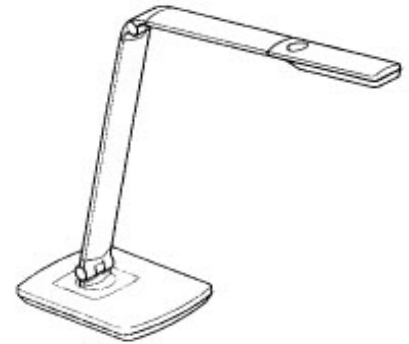
DESIGN NUMBER	252121	
CLASS	08-09	
1)MONGA BROTHERS LIMITED, B-16, PHASE-II, FOCAL POINT, LUDHIANA-141010 (PUNJAB) (INDIA) (AN INDIAN COMPANY DULY REGISTERED UNDER THE COMPANIES ACT, 1956) OF THE ABOVE ADDRESS		
DATE OF REGISTRATION	06/03/2013	
TITLE	HEADS FOR GATES AND GRILLS	
PRIORITY NA		

DESIGN NUMBER	253910	
CLASS	02-02	
1)X & O CLOTHING PVT. LTD., (AN INDIAN PRIVATE LIMITED COMPANY REGISTERED UNDER THE INDIAN COMPANIES ACT, 1956), OF 3, THAKUR COMPOUND, 1ST FLOOR, NEXT TO ABB, USV LTD., LANE, OFF. B.S. DEVSHI MARG, GOVANDI(EAST), MUMBAI-400088, MAHARASHTRA, INDIA		
DATE OF REGISTRATION	17/05/2013	
TITLE	GARMENT (SET)	
PRIORITY NA		

DESIGN NUMBER	252994	
CLASS	07-05	
1)KONINKLIJKE PHILIPS ELECTRONICS N.V., A COMPANY ORGANIZED AND EXISTING UNDER THE LAWS OF THE KINGDOM OF THE NETHERLANDS, RESIDING AT EINDHOVEN, WHOSE POST-OFFICE ADDRESS IS HIGH TECH CAMPUS 5, 5656 AE EINDHOVEN, THE NETHERLANDS		
DATE OF REGISTRATION	10/04/2013	
TITLE	ELECTRIC STEAM IRON	
PRIORITY		
PRIORITY NUMBER	DATE	COUNTRY
002117341-0001	11/10/2012	OHIM

DESIGN NUMBER	252219	
CLASS	08-06	
1)SHOBHNABEN R BARASIYA (INDIAN NATIONALS) AND SOLE PROPRIETOR OF SURAJ METAL (INDIAN PROPRIETARY CONCERN) HAVING PLACE OF BUSINESS AT- 4, PARSANA SOCIETY, NR. 73, SCHOOL RAJKOT-GUJARAT (INDIA)		
DATE OF REGISTRATION	08/03/2013	
TITLE	HANDLE	
PRIORITY NA		

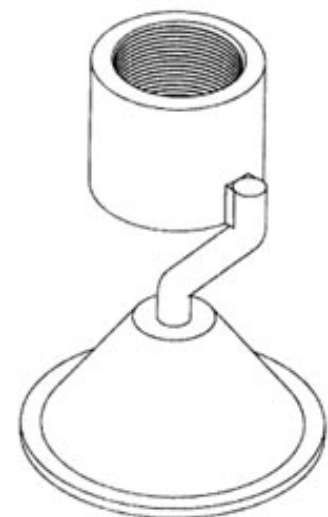
DESIGN NUMBER	252308	
CLASS	26-05	
1)KONINKLIJKE PHILIPS ELECTRONICS N.V., A COMPANY ORGANIZED AND EXISTING UNDER THE LAWS OF THE KINGDOM OF THE NETHERLANDS, RESIDING AT EINDHOVEN, WHOSE POST-OFFICE ADDRESS IS HIGH TECH CAMPUS 5, 5656 AE EINDHOVEN, THE NETHERLANDS		
DATE OF REGISTRATION	14/03/2013	
TITLE	DESK LAMP	
PRIORITY		
PRIORITY NUMBER	DATE	COUNTRY
002105874-0001	19/09/2012	OHIM



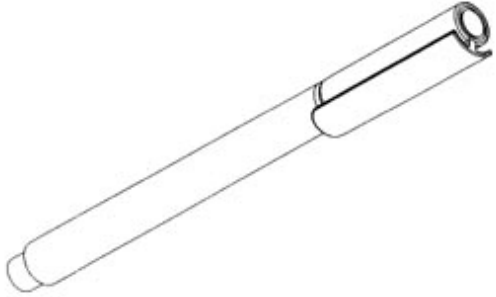



DESIGN NUMBER	252361	
CLASS	19-07	
1)SUNIT JAIN A CITIZEN OF INDIA OF ARIHANT INDUSTRIES, 40 HSIDC INDUSTRIAL ESTATE, AMBALA CANTT. 133001		
DATE OF REGISTRATION	15/03/2013	
TITLE	TEACHING AID	
PRIORITY NA		





DESIGN NUMBER	251952	
CLASS	23-02	
1)TWENTY YEARS BST PTY LTD, NATIONALITY: AUSTRALIA ADDRESS AT PO BOX 179, WURTULLA, QLD 4574, AUSTRALIA STREET ADDRESS: 109 ENTERPRISE STREET, KUNDA PARK QLD 4575 AUSTRALIA		
DATE OF REGISTRATION	01/03/2013	
TITLE	SEWAGE INFLUENT DEFLECTOR FOR CLEANING A SEWAGE PUMPING STATION	
PRIORITY		
PRIORITY NUMBER	DATE	COUNTRY
201214445	06/09/2012	AUSTRALIA



DESIGN NUMBER	253612		
CLASS	31-00		
1)D. KUMAR JAIN AN INDIAN PROPRIETOR FIRM AT SUMEET ENGINEERING WORKS, A, PINTO APTS., NEAR STATE BANK OF INDIA, VASCO DA GAMA, GOA: 403 802. (INDIA) OF ABOVE ADDRESS			
DATE OF REGISTRATION	01/05/2013		
TITLE	MIXER JAR		
PRIORITY NA			
DESIGN NUMBER	252558		
CLASS	07-06		
1)MUDITA MULL, OF MULL BUILDINGS, 4, ASHOK MARG, LUCKNOW-226001, INDIA, AN INDIAN CITIZEN			
DATE OF REGISTRATION	20/03/2013		
TITLE	KEY SET		
PRIORITY NA			
DESIGN NUMBER	252642		
CLASS	19-06		
1)PREMEC S.A., A CORPORATION ORGANIZED AND EXISTING UNDER THE LAWS OF SWITZERLAND, OF VIA INDUSTRIA, 6814 CADEMPINO, SWITZERLAND			
DATE OF REGISTRATION	25/03/2013		
TITLE	PEN		
PRIORITY			
PRIORITY NUMBER	DATE	COUNTRY	
139270	25/09/2012	SWITZERLAND	

DESIGN NUMBER	234930	
CLASS	11-01	
1)YASH AGARWAL 9, LAXMI COMPLEX, M.I. ROAD, JAIPUR (RAJ) NATIONALITY-INDIAN.		
DATE OF REGISTRATION	03/03/2011	
TITLE	JEWELLERY (EARRINGS)	
PRIORITY NA		

DESIGN NUMBER	253541	
CLASS	13-03	
1)GOLD MEDAL ELECTRICALS PVT. LTD. A COMPANY REGISTERED UNDER COMPANY ACT 1956 WHOSE ADDRESS IS, A/302, KEMP PLAZA, MIND SPACE, OFF LINK ROAD, CHINCHOLI BUNDER, MALAD (WEST), MUMBAI-400064, MAHARASHTRA, INDIA		
DATE OF REGISTRATION	30/04/2013	
TITLE	COVER PLATE	
PRIORITY NA		

DESIGN NUMBER	253198	
CLASS	25-01	
1)GUJARAT BOROSIL LIMITED AN INDIAN COMPANY INCORPORATED UNDER THE PROVISIONS OF THE COMPANIES ACT, HAVING OFFICE AT VILLAGE-GOVALI, TALUKA-JHAGADIA DIST-BHARUCH-393001, INDIA		
DATE OF REGISTRATION	17/04/2013	
TITLE	FIGURED GLASS SHEET	
PRIORITY NA		

DESIGN NUMBER	249325		
CLASS	09-07		
1)GE INTELLIGENT PLATFORMS, INC, A DELAWARE CORPORATION ORGANIZED UNDER THE LAWS OF UNITED STATES OF AMERICA HAVING ITS OFFICE AT 2500, AUSTIN DRIVE, CHARLOTTESVILLE VA 22911, UNITED STATES OF AMERICA			
DATE OF REGISTRATION	08/11/2012		
TITLE	ELECTRONICS ENCLOSURE		
PRIORITY			
PRIORITY NUMBER	DATE	COUNTRY	
29/422,060	16/05/2012	U.S.A.	
DESIGN NUMBER	251982		
CLASS	04-02		
1)COLGATE-PALMOLIVE COMPANY, A DELAWARE CORPORATION, 300 PARK AVENUE, NEW YORK, NEW YORK 10022, USA			
DATE OF REGISTRATION	01/03/2013		
TITLE	TOOTHBRUSH		
PRIORITY			
PRIORITY NUMBER	DATE	COUNTRY	
29/433,357	28/09/2012	U.S.A.	
DESIGN NUMBER	252052		
CLASS	21-02		
1)SPORTING SYNDICATE PVT. LTD., 3, NEW VIJAY NAGAR, BASTI ROAD, JALANDHAR-144001 (PUNJAB) INDIA (AN INDIAN COMPANY DULY REGISTERED UNDER THE COMPANIES ACT, 1956) OF THE ABOVE ADDRESS			
DATE OF REGISTRATION	05/03/2013		
TITLE	TRAINING EQUIPMENT FOR BOXING PRACTISE		
PRIORITY NA			

DESIGN NUMBER	253958		
CLASS	09-07		
1)PEARL POLYMERS LIMITED, OF 204, ROHIT HOUSE, 3, TOLSTOY MARG, NEW DELHI-110001, INDIA, A COMPANY INCORPORATED UNDER THE COMPANIES ACT, 1956, OF THE ABOVE ADDRESS			
DATE OF REGISTRATION	17/05/2013		
TITLE	CAP OF BOTTLE		
PRIORITY NA			
DESIGN NUMBER	251910		
CLASS	23-04		
1)RECKITT & COLMAN (OVERSEAS) LIMITED, A BRITISH COMPANY OF 103-105 BATH ROAD, SLOUGH BERKSHIRE, SL1 3UH, UNITED KINGDOM			
DATE OF REGISTRATION	27/02/2013		
TITLE	INSECT REPELLENT DEVICE WITHOUT REFILL		
PRIORITY			
PRIORITY NUMBER	DATE	COUNTRY	
002093369-0002	28/08/2012	OHIM	