

INTRODUCTION

In view of the recent amendment made in the Designs (Amendment) Rules, 2008 with effect from 17/06/2008, Publication of the matter relating to Designs is being published in the Official Journal of The Patent Office. This Journal is being published on weekly basis on every Friday covering the various proceedings on Designs as required according to the provisions of under Rule 22, 25, 27 and 39 of the Design (Amendment) Rules, 2008. All the enquiries on this Official Journal and other information as required by the public should be addressed to the Controller General of Patents, Designs & Trade Marks. Suggestions and comments are requested from all quarters so that the content can be enriched.

DESIGN ACT 2000
(Under Section 31)
RECTIFICATION OF REGISTER

Eastman Industries Limited, Ludhiana, filed a request on Form-17 on 19/11/2013 through their agent S. S. Mahtta of M/s Mahtta & Co., Ludhiana, for the Rectification of name of the article under sec.31 of the Designs Act, 2000 in the Register of Designs is as follows:-

Design No.	Entered name of the Article	Changed to
247426	CRANK WHEEL FOR BICYCLE	CHAIN WHEEL FOR BICYCLE
247431	CRANK WHEEL FOR BICYCLE	CHAIN WHEEL FOR BICYCLE
247430	CRANK WHEEL FOR BICYCLE	CHAIN WHEEL FOR BICYCLE
247428	WHEEL FOR SIDE-STAND OF BICYCLE	WHEEL FOR SIDE SUPPORT OF BICYCLE
247427	CRANK WHEEL FOR BICYCLE	CHAIN WHEEL FOR BICYCLE

Notice of opposition to the Rectification of Register of Designs may be given as per rule 40 of the Design Rules, 2001 as amended Design (amendment) Rules, 2008.

COPYRIGHT PUBLICATION

SL NO	CASE NUMBERS	RENEWED ON
1.	193173	09.12.2013
2.	193450	06.12.2013
3.	194131	10.12.2013
4.	194456	06.12.2013
5.	194653	06.12.2013
6.	194654	06.12.2013
7.	216985	06.12.2013
8.	240895	11.12.2013
9.	190336	13.12.2013
10.	204975	14.11.2013

CANCELLATION PROCEEDINGS
under Section 19 of the Designs Act, 2000

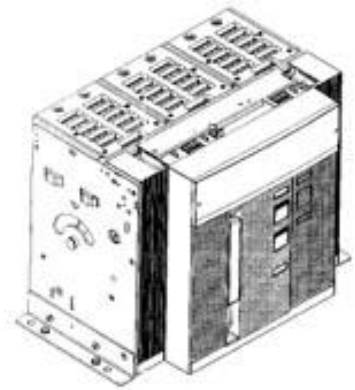
“The Asstt. Controller of Patents & Designs passed an order on 17/12/2013 to dismiss the petition filed by Suresh Kumar Banka, Rajesh Kumar Banka, Dinesh Kumar Banka of 3B, Camac Street, Kolkata – 700016, West Bengal, India and Mrs. Madhu Karoria of 32Q, New Road, Kolkata-700027, West Bengal, India on 28/12/2006 for cancellation of the registration of registered Design No.198589 dated 15/2/2005 under Class 09-07 titled as ‘Sealing Device’ in the name of Murli Bhagwandas Rohro, an Indian national of 23/B, Hira Co-operative Housing Society, Opp: Old Telephone Exchange, Ulhasnagar – 421003, Dist. Thane, Maharashtra, India.”

REGISTRATION OF DESIGNS

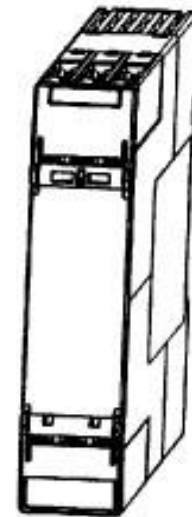
The following designs have been registered. They are now open for public inspection. In the following each entry the Date of Registration is shown. The Priority Number, Priority Date and Priority Country are also shown

DESIGN NUMBER	252185		
CLASS	24-02		
1)KARL STORZ GMBH & CO. KG, A GERMAN COMPANY OF MITTELSTRASSE 8, D-78532 TUTTLINGEN, GERMANY			
DATE OF REGISTRATION	07/03/2013		
TITLE	HANDLE FOR MEDICAL INSTRUMENT		
PRIORITY			
PRIORITY NUMBER	DATE	COUNTRY	
002132084-0003	07/11/2012	OHIM	
DESIGN NUMBER	253634		
CLASS	04-01		
1)SHREE SIMANDHAR INDUSTRIES IS A PROPRIETORSHIP FIRM OF 21, NEW MANU BHUVAN, BHAGAT SINGH ROAD, VILE PARLE (W), MUMBAI-400056, MAHARASHTRA, INDIA.			
DATE OF REGISTRATION	03/05/2013		
TITLE	APPLICATOR BRUSH		
PRIORITY NA			
DESIGN NUMBER	253722		
CLASS	09-03		
1)NAYASA WORLD OF SURVEY NO. 655/1C NEAR SOMNANATH CO.OP.SOCIETY, DABHEL NANI DAMAN, DAMAN-396310, (UNION TERRITORIES) DAMAN, INDIA, INDIAN PARTNERSHIP FIRM, WHOSE PARTNERS ARE RUPA SACHDEV, MANASI SACHDEV & KISHOR MALIK, ALL INDIAN NATIONALS			
DATE OF REGISTRATION	08/05/2013		
TITLE	CONTAINER		
PRIORITY NA			

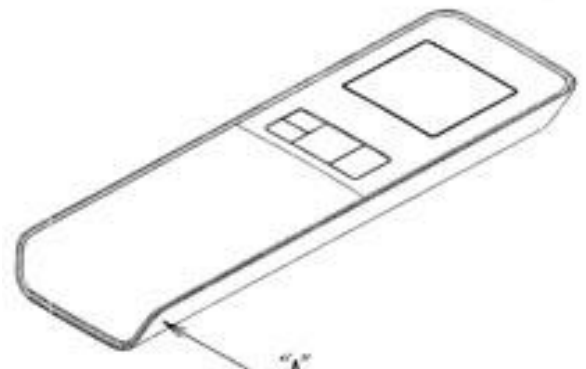
DESIGN NUMBER	253749	
CLASS	13-03	
1)ABB S.P.A., VIA VITTOR PISANI, 16, I-20124 MILANO, ITALY		
DATE OF REGISTRATION	07/05/2013	
TITLE	CIRCUIT BREAKER	
PRIORITY		
PRIORITY NUMBER	DATE	COUNTRY
002133363	09/11/2012	OHIM



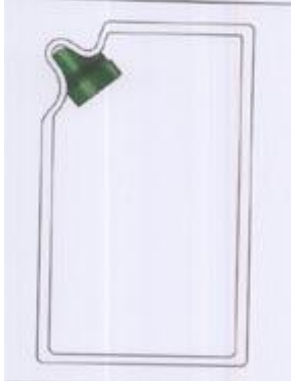


DESIGN NUMBER	251737	
CLASS	13-03	
1)SIEMENS AKTIENGESELLSCHAFT, OF WITTELSBACHERPLATZ 2, 80333 MUNCHEN, GERMANY, A GERMAN COMPANY		
DATE OF REGISTRATION	18/02/2013	
TITLE	SAFETY RELAY	
PRIORITY		
PRIORITY NUMBER	DATE	COUNTRY
001340897	24/08/2012	OHIM

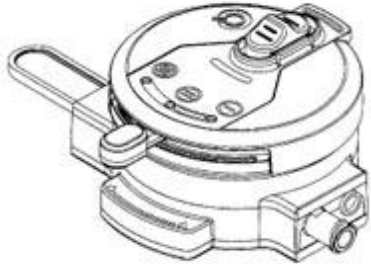




DESIGN NUMBER	254096	
CLASS	14-03	
1)DAIKIN INDUSTRIES LTD. A JAPANESE COMPANY OF THE ADDRESS: UMEDA CENTER BUILDING, 4-12 NAKAZAKI-NISHI 2-CHOME, KITA-KU, OSAKA-SHI, OSAKA-FU, JAPAN		
DATE OF REGISTRATION	27/05/2013	
TITLE	REMOTE CONTROL FOR AIR CONDITIONER	
PRIORITY NA		



DESIGN NUMBER	254191		
CLASS	08-06		
1)AMTUL HASEEN W/O LATE NISAR AHMED AGED ABOUT 58 YEARS R/O 91/73, IFTIKHARABAD KANPUR (U.P.) INDIA, OF ABOVE ADDRESS			
DATE OF REGISTRATION	30/05/2013		
TITLE	HASP		
PRIORITY NA			
DESIGN NUMBER	254221		
CLASS	11-01		
1)RADIUS CORPORATION LTD. WHOSE ADDRESS IS 57-58, VARDHMAN NAGAR, RAJNANDGAON-491441, STATE- CHHATTISGARH, INDIA A REGISTERED COMPANY SITUATED IN INDIA			
DATE OF REGISTRATION	31/05/2013		
TITLE	JEWELLERY CLASP		
PRIORITY NA			
DESIGN NUMBER	250869		
CLASS	09-05		
1)THE PROCTER & GAMBLE COMPANY, A BODY CORPORATE INCORPORATED UNDER THE LAWS OF UNITED STATES OF AMERICA, HAVING ITS REGISTERED OFFICE AT ONE PROCTER & GAMBLE PLAZA, CINCINNATI, OHIO - 45202, UNITED STATES OF AMERICA			
DATE OF REGISTRATION	08/01/2013		
TITLE	POUCH PACKAGE		
PRIORITY			
PRIORITY NUMBER	DATE	COUNTRY	
679865001	10/07/2012	WIPO	

DESIGN NUMBER	250941		
CLASS	26-06		
1) VIGNAL SYSTEMS, A COMPANY INCORPORATED UNDER THE LAWS OF FRANCE, OF 12 RUE EUGÈNE HENAFF, 69200 VENISSIEUX, FRANCE			
DATE OF REGISTRATION	10/01/2013		
TITLE	LIGHTING DEVICE FOR VEHICLES		
PRIORITY			
PRIORITY NUMBER	DATE	COUNTRY	
680195301	11/07/2012	WIPO	
DESIGN NUMBER	249162		
CLASS	10-02		
1) ZD LUXURY WATCHES AND ACCESSORIES LTD, A COMPANY INCORPORATED UNDER THE LAWS OF SWITZERLAND HAVING OFFICE AT STERNENGASSE 18, 4051 BASEL, SWITZERLAND			
DATE OF REGISTRATION	01/11/2012		
TITLE	WATCH CASE		
PRIORITY NA			
DESIGN NUMBER	252230		
CLASS	14-01		
1) APPLE INC., 1 INFINITE LOOP, CUPERTINO, CALIFORNIA 95014, UNITED STATES OF AMERICA, A CORPORATION INCORPORATED IN THE STATE OF CALIFORNIA			
DATE OF REGISTRATION	08/03/2013		
TITLE	EARPHONE		
PRIORITY			
PRIORITY NUMBER	DATE	COUNTRY	
29/431,563	08/09/2012	U.S.A.	

DESIGN NUMBER	252261		
CLASS	24-02		
1)Q-CORE MEDICAL LTD, A COMPANY INCORPORATED UNDER THE LAWS OF ISRAEL, HAVING ITS OFFICE AT 14, HAMIFLASIM ST., PETACH TIKVA 49130, ISRAEL			
DATE OF REGISTRATION	12/03/2013		
TITLE	AIR TRAP DEVICE FOR INTRAVENOUS INFUSION ADMINISTRATION SETS		
PRIORITY			
PRIORITY NUMBER	DATE	COUNTRY	
53224	27/09/2012	ISRAEL	
DESIGN NUMBER	253930		
CLASS	08-08		
1)(1) MEHULBHAI D. CHAVDA (2) SOMESHBHAI S. MALIK AND (3) DHIRENBHAI SHAH ALL INDIAN NATIONAL PARTNER OF DMS ARCHITECTURAL PRODUCTS AN INDIAN PARTNERSHIP FIRM HAVING ITS PRINCIPAL PLACE OF BUSINESS AT ADDRESS: PLOT NO. 6, SURVEY NO. 20, EVEREST INDUSTRIAL AREA, NEAR PERFECT (TATA) SHOWROOM, NATIONAL HIGHWAY NO. 8-B, VAVDI-DIST. RAJKOT-360004, GUJARAT-INDIA			
DATE OF REGISTRATION	17/05/2013		
TITLE	CURTAIN BRACKET		
PRIORITY NA			
DESIGN NUMBER	251342		
CLASS	24-02		
1)SANOFI-AVENTIS DEUTSCHLAND GMBH, A GERMAN COMPANY OF BRUNINGSTRASSE 50, 65929 FRANKFURT AM MAIN, GERMANY			
DATE OF REGISTRATION	31/01/2013		
TITLE	INJECTION DEVICE		
PRIORITY			
PRIORITY NUMBER	DATE	COUNTRY	
002 082 297	01/08/2012	OHIM	

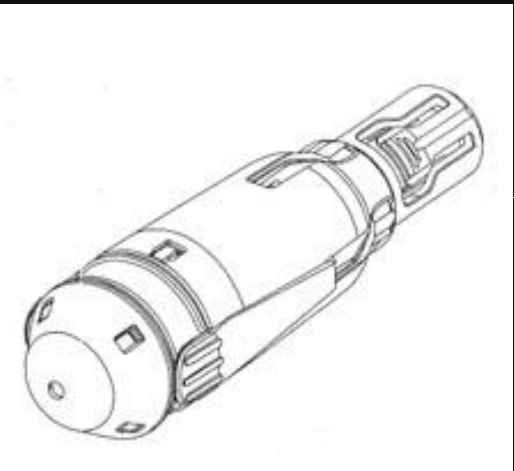
DESIGN NUMBER	254661
CLASS	08-05
1)SUNIL KUMAR JAISWAL, SANTOSH KUMAR JAISWAL AND SANJAY KUMAR JAISWAL, PARTNERS BEING INDIAN CITIZENS, TRADING AS M/S. EASTERN ENGINEERING COMPANY, OF ANCILLARY INDUSTRIAL AREA, TUPUDANA, RANCHI-834003, JHARKHAND, INDIA	
DATE OF REGISTRATION	21/06/2013
TITLE	MANUALLY OPERATED AGRICULTURAL PUMP
PRIORITY NA	



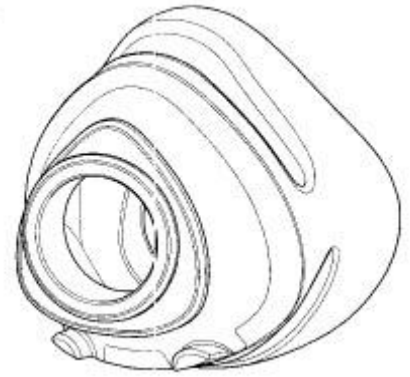
DESIGN NUMBER	254743
CLASS	07-01
1)MA DESIGN INDIA PRIVATE LIMITED, A COMPANY INCORPORATED IN INDIA HAVING ITS PRINCIPAL PLACE OF BUSINESS AT A-41, SECTOR-80, PHASE-II, NOIDA-201305, U.P. INDIA	
DATE OF REGISTRATION	25/06/2013
TITLE	BOWL
PRIORITY NA	



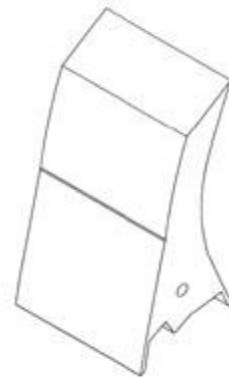
DESIGN NUMBER	251030	
CLASS	24-02	
1)ETHICON ENDO-SURGERY, INC., A CORPORATION OF THE STATE OF OHIO, OF 4545 CREEK ROAD, CINCINNATI, OH 45242, USA		
DATE OF REGISTRATION	18/01/2013	
TITLE	SURGICAL STAPLER CARTRIDGE	
PRIORITY		
PRIORITY NUMBER	DATE	COUNTRY
29/427,598	20/07/2012	U.S.A.



DESIGN NUMBER	252736	
CLASS	24-02	
1)KONINKLIJKE PHILIPS ELECTRONICS N.V., A COMPANY ORGANIZED AND EXISTING UNDER THE LAWS OF THE KINGDOM OF THE NETHERLANDS, RESIDING AT EINDHOVEN, WHOSE POST-OFFICE ADDRESS IS HIGH TECH CAMPUS 5, 5656 AE EINDHOVEN, THE NETHERLANDS		
DATE OF REGISTRATION	01/04/2013	
TITLE	CUSHION FOR A PATIENT INTERFACE ASSEMBLY	
PRIORITY		
PRIORITY NUMBER	DATE	COUNTRY
002112755-0005	03/10/2012	OHIM



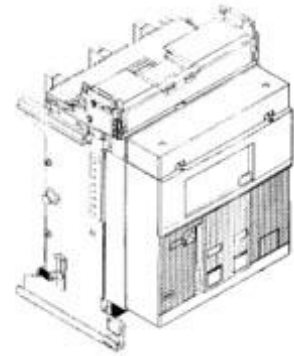
DESIGN NUMBER	251543	
CLASS	12-05	
1)MARTIN ENGINEERING COMPANY, A CORPORATION OF THE STATE OF ILLINOIS, OF ONE MARTIN PLACE, NEPONSET, IL 61345, UNITED STATES OF AMERICA		
DATE OF REGISTRATION	08/02/2013	
TITLE	CONVEYOR SCRAPER BLADE TIP	
PRIORITY		
PRIORITY NUMBER	DATE	COUNTRY
29/429,331	09/08/2012	U.S.A.



DESIGN NUMBER	254324	
CLASS	26-06	
1)RENAULT TRUCKS, A COMPANY ORGANIZED UNDER THE LAWS OF FRANCE, OF 99 ROUTE DE LYON, 69800 SAINT PRIEST, FRANCE		
DATE OF REGISTRATION	06/06/2013	
TITLE	HEADLIGHTS FOR VEHICLES	
PRIORITY NA		



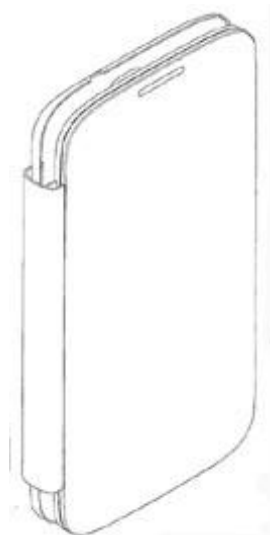
DESIGN NUMBER	253746	
CLASS	13-03	
1)ABB S.P.A., VIA VITTOR PISANI, 16, I-20124 MILANO, ITALY		
DATE OF REGISTRATION	07/05/2013	
TITLE	CIRCUIT BREAKER	
PRIORITY		
PRIORITY NUMBER	DATE	COUNTRY
002133363	09/11/2012	OHIM



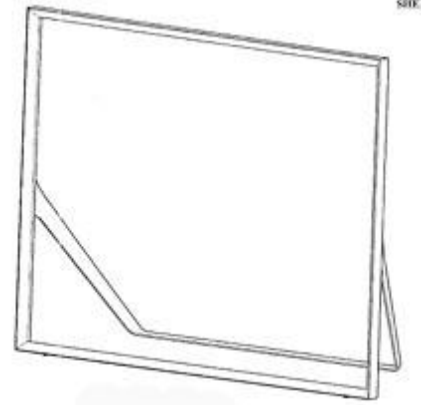
DESIGN NUMBER	251723	
CLASS	10-05	
1)OBO BETTERMANN GMBH & CO. KG, A GERMAN COMPANY OF HUINGSER RING 52, 58710 MENDEN, DEUTSCHLAND, GERMANY		
DATE OF REGISTRATION	18/02/2013	
TITLE	LIGHTNING PROTECTION APPARATUS	
PRIORITY		
PRIORITY NUMBER	DATE	COUNTRY
002095240	31/08/2012	OHIM



DESIGN NUMBER	254203	
CLASS	14-99	
1)SAMSUNG ELECTRONICS CO., LTD. 129, SAMSUNG-RO, YEONGTONG-GU, SUWON-SI, GYEONGGI-DO, 443-742, REPUBLIC OF KOREA, A COMPANY OF REPUBLIC OF KOREA		
DATE OF REGISTRATION	30/05/2013	
TITLE	CASE FOR ELECTRONIC DEVICE	
PRIORITY		
PRIORITY NUMBER	DATE	COUNTRY
30-2013-0012855	13/03/2013	REPUBLIC OF KOREA



DESIGN NUMBER	254264	
CLASS	14-99	
1)SAMSUNG ELECTRONICS CO., LTD. 129, SAMSUNG-RO, YEONGTONG-GU, SUWON-SI, GYEONGGI-DO, 443-742, REPUBLIC OF KOREA, A COMPANY OF REPUBLIC OF KOREA		
DATE OF REGISTRATION	04/06/2013	
TITLE	TELEVISION RECEIVER FRAME	
PRIORITY		
PRIORITY NUMBER	DATE	COUNTRY
30-2012-0060018	12/12/2012	REPUBLIC OF KOREA



DESIGN NUMBER	249126	
CLASS	26-05	
1)FLOS S.P.A., AN ITALIAN COMPANY, VIA A. FAINI, 2, I-25073 BOVEZZO, BRESCIA, ITALY		
DATE OF REGISTRATION	31/10/2012	
TITLE	FLOOR LAMP	
PRIORITY		
PRIORITY NUMBER	DATE	COUNTRY
BS2012O000025	14/09/2012	ITALY



DESIGN NUMBER	252422	
CLASS	06-01	
1)STEELCASE INC., OF CORPORATION OF THE STATE OF MICHIGAN USA, HAVING A PLACE OF BUSINESS AT 901-44TH STREET, S.E., GRAND RAPIDS, MICHIGAN 49508 USA, NATIONALITY: USA		
DATE OF REGISTRATION	19/03/2013	
TITLE	CHAIR	
PRIORITY		
PRIORITY NUMBER	DATE	COUNTRY
29/432,822	20/09/2012	U.S.A.



DESIGN NUMBER	251339	
CLASS	14-99	
1)SAMSUNG ELECTRONICS CO., LTD., A KOREAN COMPANY, OF 129, SAMSUNG-RO, YEONGTONG-GU, SUWON-SI, GYEONGGI-DO, 443-742, REPUBLIC OF KOREA		
DATE OF REGISTRATION	31/01/2013	
TITLE	STYLUS	
PRIORITY		
PRIORITY NUMBER	DATE	COUNTRY
30-2012-0047739	08/10/2012	REPUBLIC OF KOREA



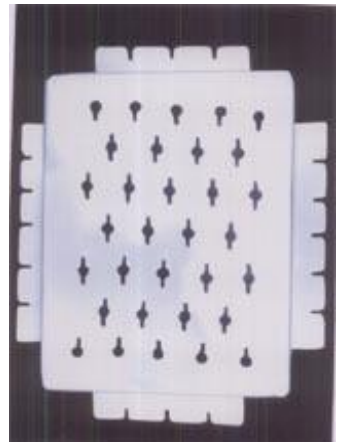
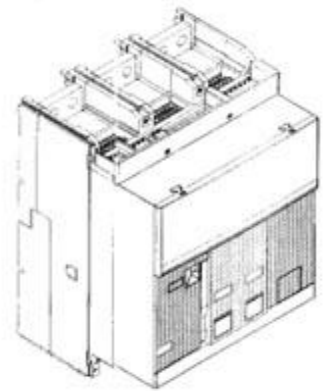
DESIGN NUMBER	251460	
CLASS	23-01	
1)DART INDUSTRIES INC., A CORPORATION FOUNDED UNDER THE LAWS OF DELAWARE, U.S.A. OF 14901 SOUTH ORANGE BLOSSOM TRAIL, ORLANDO, FLORIDA 32837, USA		
DATE OF REGISTRATION	06/02/2013	
TITLE	STACKING WATER FILTER DISPENSER	
PRIORITY		
PRIORITY NUMBER	DATE	COUNTRY
29/430,394	24/08/2012	U.S.A.



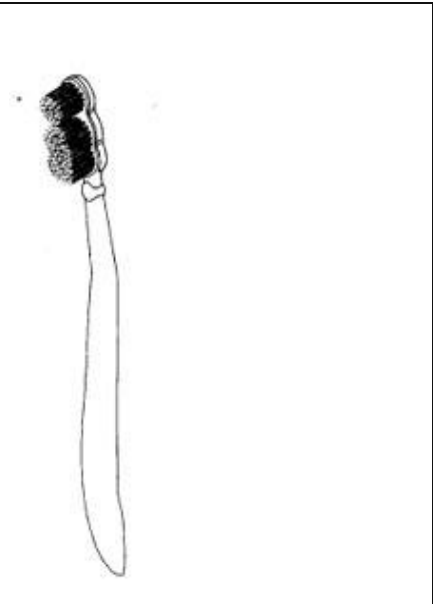
DESIGN NUMBER	254430	
CLASS	06-01	
1)ME N MOMS PVT. LTD., 2, AMAR CHS., 8TH ROAD, TPS 111, BEHIND TELEPHONE EXCHANGE, KHAR (W), MUMBAI-400052. STATE OF MAHARASHTRA INDIA,/ A PRIVATE LIMITED COMPANY INCORPORATED UNDER INDIAN COMPANIES ACT., OF ABOVE ADDRESS		
DATE OF REGISTRATION	11/06/2013	
TITLE	KIDS DINING CHAIR	
PRIORITY NA		




DESIGN NUMBER	254481	
CLASS	02-04	
1)M/S VEEKESY ELASTOMERS PVT LTD, AN INDIAN COMPANY REGISTERED UNDER COMPANIES ACT, 1956, HAVING ITS REGISTERED OFFICE AT DOOR NO. VII/330, NH-17, KOLATHARA P.O, KOZHIKODE, PIN-673655, KERALA, INDIA		
DATE OF REGISTRATION	13/06/2013	
TITLE	SOLE OF FOOTWEAR	
PRIORITY NA		
DESIGN NUMBER	253745	
CLASS	13-03	
1)ABB S.P.A., VIA VITTOR PISANI, 16, I-20124 MILANO, ITALY		
DATE OF REGISTRATION	07/05/2013	
TITLE	CIRCUIT BREAKER	
PRIORITY		
PRIORITY NUMBER	DATE	COUNTRY
00213363	09/11/2012	OHIM
DESIGN NUMBER	253773	
CLASS	24-01	
1)EKNATH T. MORE AN INDIVIDUAL-INDIAN RESIDENT OF, ROOM NO. 705, RATNSHINDU, G.D. AMBEKAR MARG, KALEWADI, PARAL, MUMBAI-400033 MAHARASHTRA, INDIA		
DATE OF REGISTRATION	09/05/2013	
TITLE	HANDHOLDER USED IN SURGERY	
PRIORITY NA		



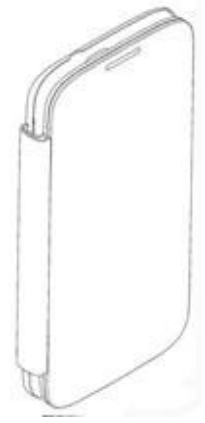
DESIGN NUMBER	251908	
CLASS	04-02	
1)GLAXOSMITHKLINE CONSUMER HEALTHCARE GMBH & CO. KG OF THE ADDRESS BUSSMATTEN 1, D-77815 BUEHL(BADEN), GERMANY		
DATE OF REGISTRATION	27/02/2013	
TITLE	TOOTHBRUSH	
PRIORITY		
PRIORITY NUMBER	DATE	COUNTRY
GB 4026126	29/08/2012	U.K.



DESIGN NUMBER	254186	
CLASS	24-99	
1)J. MITRA & CO. PVT. LTD., AN INDIAN COMPANY REGISTERED UNDER THE INDIAN COMPANIES ACT 1956, A-180, OKHLA INDUSTRIAL AREA, PHASE-1, NEW DELHI, INDIA		
DATE OF REGISTRATION	30/05/2013	
TITLE	DIAGNOSTIC DEVICE FOR DENGUE ANTIGEN	
PRIORITY NA		



DESIGN NUMBER	254202	
CLASS	14-99	
1)SAMSUNG ELECTRONICS CO., LTD. 129, SAMSUNG-RO, YEONGTONG-GU, SUWON-SI, GYEONGGI-DO, 443-742, REPUBLIC OF KOREA, A COMPANY OF REPUBLIC OF KOREA		
DATE OF REGISTRATION	30/05/2013	
TITLE	CASE FOR ELECTRONIC DEVICE	
PRIORITY		
PRIORITY NUMBER	DATE	COUNTRY
30-2013-0012854	13/03/2013	REPUBLIC OF KOREA

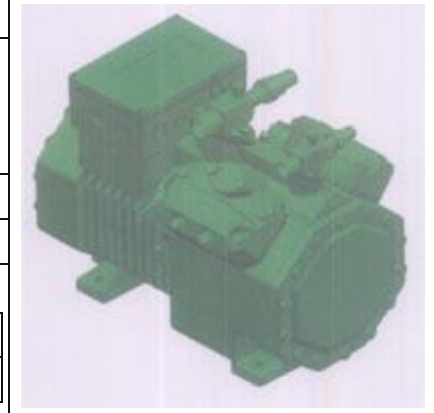


DESIGN NUMBER	254263		
CLASS	14-03		
1)SAMSUNG ELECTRONICS CO., LTD. 129, SAMSUNG-RO, YEONGTONG-GU, SUWON-SI, GYEONGGI-DO, 443-742, REPUBLIC OF KOREA, A COMPANY OF REPUBLIC OF KOREA			
DATE OF REGISTRATION	04/06/2013		
TITLE	TELEVISION RECEIVER		
PRIORITY			
PRIORITY NUMBER	DATE	COUNTRY	
30-2012-0060015	12/12/2012	REPUBLIC OF KOREA	
DESIGN NUMBER	250995		
CLASS	13-01		
1)HONDA MOTOR CO., LTD., A JAPANESE CORPORATION, OF 1-1, MINAMIAOYAMA 2-CHOME, MINATO-KU, TOKYO, JAPAN			
DATE OF REGISTRATION	16/01/2013		
TITLE	ENGINE GENERATOR		
PRIORITY			
PRIORITY NUMBER	DATE	COUNTRY	
2012-017121	19/07/2012	JAPAN	
DESIGN NUMBER	252578		
CLASS	15-02		
1)BITZER KUEHLMASCHINENBAU GMBH, A LIMITED LIABILITY COMPANY INCORPORATED UNDER THE LAWS OF GERMANY, OF THE ADDRESS ESCHENBRUENNLESTRASSE 15, 71065 SINDELFINGEN, GERMANY			
DATE OF REGISTRATION	21/03/2013		
TITLE	COMPRESSOR		
PRIORITY			
PRIORITY NUMBER	DATE	COUNTRY	
002198689-0002	08/03/2013	EUROPEAN UNION	

DESIGN NUMBER	250791	
CLASS	21-01	
1)MAN TRUCK & BUS AG, A GERMAN COMPANY OF DACHAUER STR. 667, 80995 MUNICH, GERMANY		
DATE OF REGISTRATION	04/01/2013	
TITLE	DRIVER'S CAB OF A TOY UTILITY VEHICLE	
PRIORITY		
PRIORITY NUMBER	DATE	COUNTRY
001335236	04/07/2012	OHIM

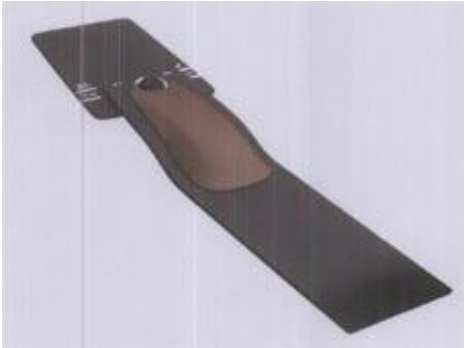



DESIGN NUMBER	252243	
CLASS	15-02	
1)BITZER KUEHLMASCHINENBAU GMBH, A LIMITED LIABILITY COMPANY INCORPORATED UNDER THE LAWS OF GERMANY, OF THE ADDRESS ESCHENBRUENNLESTRASSE 15, 71065 SINDELFINGEN, GERMANY		
DATE OF REGISTRATION	11/03/2013	
TITLE	COMPRESSOR	
PRIORITY		
PRIORITY NUMBER	DATE	COUNTRY
002156752	20/12/2012	EUROPEAN UNION



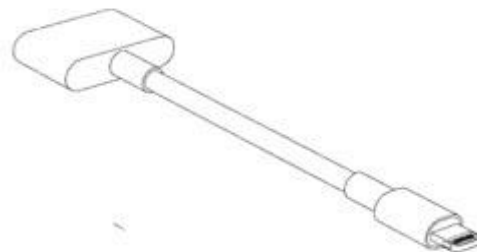
DESIGN NUMBER	252421	
CLASS	06-01	
1)STEELCASE INC., 901-44TH STREET, S.E., GRAND RAPIDS, MICHIGAN 49508 USA, NATIONALITY: USA		
DATE OF REGISTRATION	19/03/2013	
TITLE	CHAIR	
PRIORITY		
PRIORITY NUMBER	DATE	COUNTRY
29/432,764	20/09/2012	U.S.A.



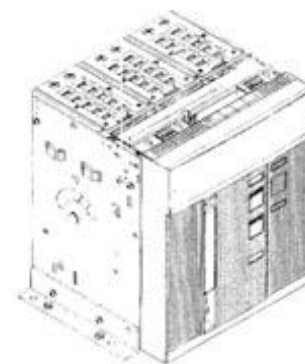
DESIGN NUMBER	253997		
CLASS	05-05		
1)PARRY MURRAY & CO. LTD., COMPANY REGISTERED UNDER THE LAWS OF ENGLAND AND WALES, HAVING ITS PRINCIPAL PLACE OF BUSINESS AT 3RD FLOOR, SIMPSON HOUSE, 6 CHERRY ORCHARD ROAD, CROYDON, CRO 6BA, UNITED KINGDOM			
DATE OF REGISTRATION	21/05/2013		
TITLE	TEXTILE FABRIC		
PRIORITY NA			
DESIGN NUMBER	251263		
CLASS	12-16		
1)DR. ING. H.C.F. PORSCHE AKTIENGESELLSCHAFT, A GERMAN COMPANY OF PORSCHEPLATZ 1, 70435 STUTTGART, GERMANY			
DATE OF REGISTRATION	29/01/2013		
TITLE	CENTRE CONSOLES FOR VEHICLES		
PRIORITY			
PRIORITY NUMBER	DATE	COUNTRY	
DE402012100636.3	09/08/2012	GERMANY	
DESIGN NUMBER	251604		
CLASS	07-99		
1)KOKUYO S&T CO., LTD., NATIONALITY: JAPAN ADDRESS AT 1-1, OIMAZATO-MINAMI 6-CHOME, HIGASHINARI-KU, OSAKA-SHI, OSAKA, JAPAN			
DATE OF REGISTRATION	13/02/2013		
TITLE	TUBE SQUEEZER		
PRIORITY			
PRIORITY NUMBER	DATE	COUNTRY	
2012-020556	28/08/2012	JAPAN	

DESIGN NUMBER	253488		
CLASS	15-05		
1)KONINKLIJKE PHILIPS ELECTRONICS N.V., A COMPANY ORGANIZED AND EXISTING UNDER THE LAWS OF THE KINGDOM OF THE NETHERLANDS, RESIDING AT EINDHOVEN, WHOSE POST-OFFICE ADDRESS IS HIGH TECH CAMPUS 5, 5656 AE EINDHOVEN, THE NETHERLANDS			
DATE OF REGISTRATION	29/04/2013		
TITLE	VACUUM CLEANER		
PRIORITY			
PRIORITY NUMBER	DATE	COUNTRY	
002128934-0001	31/10/2012	OHIM	
PRIORITY NA			
PRIORITY NA			
DESIGN NUMBER	254429		
CLASS	12-15		
1)METRO TYRES LIMITED, A COMPANY INCORPORATED UNDER THE INDIAN COMPANIES ACT, 1956, NATIONALITY- INDIAN COMPANY, ADDRESS: B-3 & B-4, SECTOR-58, NOIDA-201301, U.P.			
DATE OF REGISTRATION	11/06/2013		
TITLE	TYRE		
PRIORITY NA			
PRIORITY NA			
DESIGN NUMBER	250149		
CLASS	09-01		
1)PIRAMAL ENTERPRISES LIMITED, 6TH FLOOR, PIRAMAL DESIGN STUDIO, PIRAMAL TOWER ANNEXE, PENINSULA CORPORATE PARK, G.K. MARG, LOWER PAREL (WEST), MUMBAI, MAHARASHTRA 400013, INDIA, AN INDIAN COMPANY			
DATE OF REGISTRATION	13/12/2012		
TITLE	JAR		
PRIORITY NA			
PRIORITY NA			

DESIGN NUMBER	251975	
CLASS	14-02	
1)APPLE INC., 1 INFINITE LOOP, CUPERTINO, CALIFORNIA 95014, UNITED STATES OF AMERICA, A CORPORATION INCORPORATED IN THE STATE OF CALIFORNIA		
DATE OF REGISTRATION	01/03/2013	
TITLE	ADAPTER FOR ELECTRONIC DEVICE	
PRIORITY		
PRIORITY NUMBER	DATE	COUNTRY
29/431,556	07/09/2012	U.S.A.

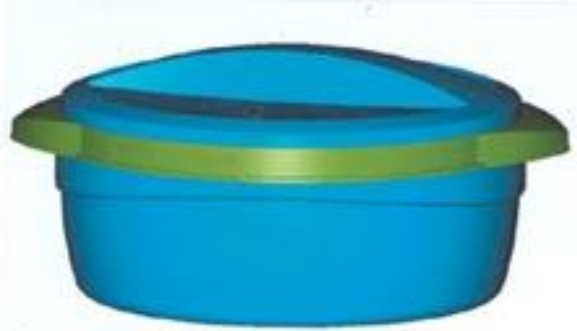



DESIGN NUMBER	253747	
CLASS	13-03	
1)ABB S.P.A., VIA VITTOR PISANI, 16, I-20124 MILANO, ITALY		
DATE OF REGISTRATION	07/05/2013	
TITLE	CIRCUIT BREAKER	
PRIORITY		
PRIORITY NUMBER	DATE	COUNTRY
002133363	09/11/2012	OHIM




DESIGN NUMBER	251724	
CLASS	10-05	
1)OBO BETTERMANN GMBH & CO. KG, A GERMAN COMPANY OF HUINGSER RING 52, 58710 MENDEN, DEUTSCHLAND, GERMANY		
DATE OF REGISTRATION	18/02/2013	
TITLE	LIGHTNING PROTECTION APPARATUS	
PRIORITY		
PRIORITY NUMBER	DATE	COUNTRY
002095240	31/08/2012	OHIM



DESIGN NUMBER	254092	
CLASS	07-02	
1)RISHABH PLAST INDUSTRIES AN INDIAN NATIONAL HAVING HIS ADDRESS AT '302, 3RD FLOOR, RAGHUVIR, OPP. PRABODHANKAR THAKARE HALL, CHASMUNDA CIRCLE, BORIVALI (W), MUMBAI, MAHARASHTRA (INDIA), PIN-400092		
DATE OF REGISTRATION	27/05/2013	
TITLE	CASSEROLE	
PRIORITY NA		

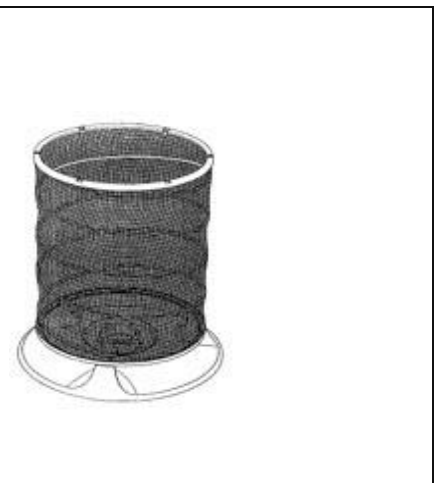
DESIGN NUMBER	254218	
CLASS	11-01	
1)RADIUS CORPORATION LTD. WHOSE ADDRESS IS 57-58, VARDHMAN NAGAR, RAJNANDGAON-491441, STATE-CHHATTISGARH, INDIA A REGISTERED COMPANY SITUATED IN INDIA		
DATE OF REGISTRATION	31/05/2013	
TITLE	JEWELLERY CLASP	
PRIORITY NA		

DESIGN NUMBER	254266	
CLASS	12-16	
1)HONDA MOTOR CO., LTD., A JAPANESE CORPORATION, OF 1-1, MINAMI-AOYAMA 2-CHOME, MINATO-KU, TOKYO, JAPAN		
DATE OF REGISTRATION	05/06/2013	
TITLE	SIDE COVER FOR MOTORCYCLE	
PRIORITY		
PRIORITY NUMBER	DATE	COUNTRY
2012-030200	10/12/2012	JAPAN

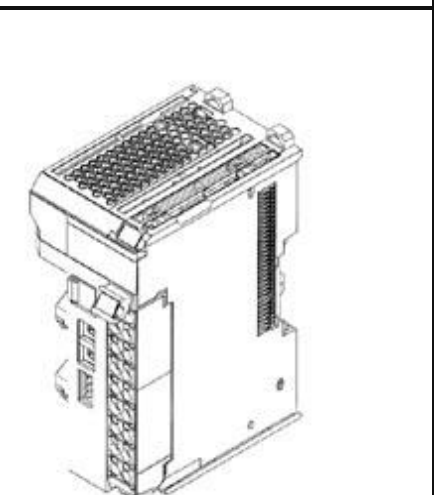
DESIGN NUMBER	252587		
CLASS	19-02		
1)KANIN INDIA, B-XXX-6754, FOCAL POINT, LUDHIANA-141010, PUNJAB, INDIA, AN INDIAN PARTNERSHIP FIRM, WHOSE PARTNERS ARE ARIHANT JAIN, VISHWA JAIN, MS. NEELAM JAIN, MR. AMBRISH JAIN, MR. GAUTAM JAIN, AND MR. AMIT JAIN (ALL INDIAN NATIONALS) HAVING THEIR ADDRESS OF			
B-XXX-6754, FOCAL POINT, LUDHIANA-141010, PUNJAB INDIA			
DATE OF REGISTRATION	21/03/2013		
TITLE	STAPLER		
PRIORITY			
PRIORITY NUMBER	DATE	COUNTRY	
002183210	13/02/2013	OHIM	
DESIGN NUMBER	251340		
CLASS	24-02		
1)SANOFI-AVENTIS DEUTSCHLAND GMBH, A GERMAN COMPANY OF BRUNINGSTRASSE 50, 65929 FRANKFURT AM MAIN, GERMANY			
DATE OF REGISTRATION	31/01/2013		
TITLE	INJECTION DEVICE		
PRIORITY			
PRIORITY NUMBER	DATE	COUNTRY	
002 082 297	01/08/2012	OHIM	
DESIGN NUMBER	251461		
CLASS	23-01		
1)DART INDUSTRIES INC., A CORPORATION FOUNDED UNDER THE LAWS OF DELAWARE, U.S.A. OF			
14901 SOUTH ORANGE BLOSSOM TRAIL, ORLANDO, FLORIDA 32837, USA			
DATE OF REGISTRATION	06/02/2013		
TITLE	COVER FOR A STACKING WATER FILTER DISPENSER		
PRIORITY			
PRIORITY NUMBER	DATE	COUNTRY	
29/430,394	24/08/2012	U.S.A.	

DESIGN NUMBER	254741		
CLASS	07-06		
1)MA DESIGN INDIA PRIVATE LIMITED, A COMPANY INCORPORATED IN INDIA HAVING ITS PRINCIPAL PLACE OF BUSINESS AT A-41, SECTOR-80, PHASE-II, NOIDA-201305, U.P. INDIA			
DATE OF REGISTRATION	25/06/2013		
TITLE	CONDIMENT SET		
PRIORITY NA			
DESIGN NUMBER	251131		
CLASS	07-02		
1)DART INDUSTRIES INC., A CORPORATION FOUNDED UNDER THE LAWS OF DELAWARE, U.S.A. OF 14901 SOUTH ORANGE BLOSSOM TRAIL, ORLANDO, FLORIDA 32837, USA			
DATE OF REGISTRATION	23/01/2013		
TITLE	CONTAINER FOR FOOD		
PRIORITY			
PRIORITY NUMBER	DATE	COUNTRY	
29/421,569	16/08/2012	U.S.A.	
DESIGN NUMBER	251139		
CLASS	07-02		
1)DART INDUSTRIES INC., A CORPORATION FOUNDED UNDER THE LAWS OF DELAWARE, U.S.A. OF 14901 SOUTH ORANGE BLOSSOM TRAIL, ORLANDO, FLORIDA 32837, USA			
DATE OF REGISTRATION	23/01/2013		
TITLE	COVER FOR A FOOD CONTAINER		
PRIORITY			
PRIORITY NUMBER	DATE	COUNTRY	
29/421,567	16/08/2012	U.S.A.	

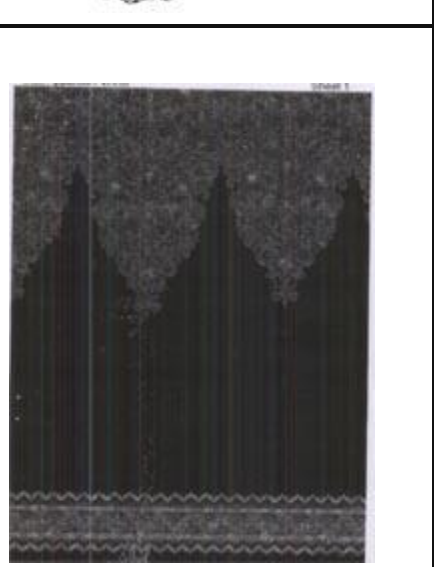
DESIGN NUMBER	251168	
CLASS	23-04	
1)S.C. JOHNSON & SON, INC., A CORPORATION ORGANIZED AND EXISTING UNDER THE LAWS OF THE STATE OF WISCONSIN, UNITED STATES OF AMERICA WHO ARE AMERICAN BY NATIONALITY AND WHOSE ADDRESS IS 1525 HOWE STREET, RACINE, WISCONSIN 53403-2236, UNITED STATES OF AMERICA		
DATE OF REGISTRATION	23/01/2013	
TITLE	AIR TREATMENT DISPENSING DEVICE	
PRIORITY		
PRIORITY NUMBER	DATE	COUNTRY
29/427,993	24/07/2012	U.S.A.



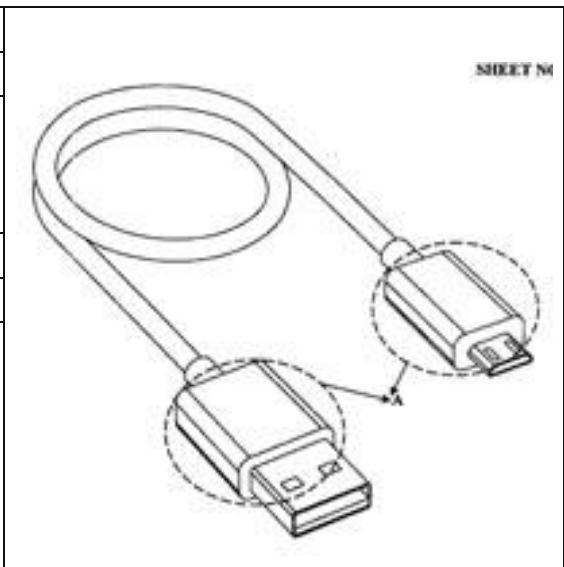
DESIGN NUMBER	252929	
CLASS	10-05	
1)OMRON CORPORATION, A CORPORATION ORGANIZED AND EXISTING UNDER THE LAWS OF JAPAN, OF 801, MINAMIFUDODO-CHO, HORIKAWAHIGASHIRU, SHIOKOJI-DORI, SHIMOGYO-KU, KYOTO-SHI, KYOTO 600-8530, JAPAN		
DATE OF REGISTRATION	05/04/2013	
TITLE	CONTROL UNIT FOR A PROGRAMMABLE CONTROLLER SYSTEM	
PRIORITY		
PRIORITY NUMBER	DATE	COUNTRY
2012-24671	10/10/2012	JAPAN



DESIGN NUMBER	253090	
CLASS	05-05	
1)M/S. BIBA APPARELS PRIVATE LIMITED, AN INDIAN PRIVATE LIMITED COMPANY INCORPORATED UNDER THE PROVISION OF THE COMPANIES ACT, 1956, AND HAVING ITS'S REGISTERED OFFICE AT RELIABLE HOUSE, SITUATED AT HANUMAN SILK MILL COMPOUND, KANJURMARG (WEST), OPP. HUMA MALL, MUMBAI-400078 MAHARASHTRA, INDIA		
DATE OF REGISTRATION	11/04/2013	
TITLE	TEXTILE FABRIC	
PRIORITY NA		

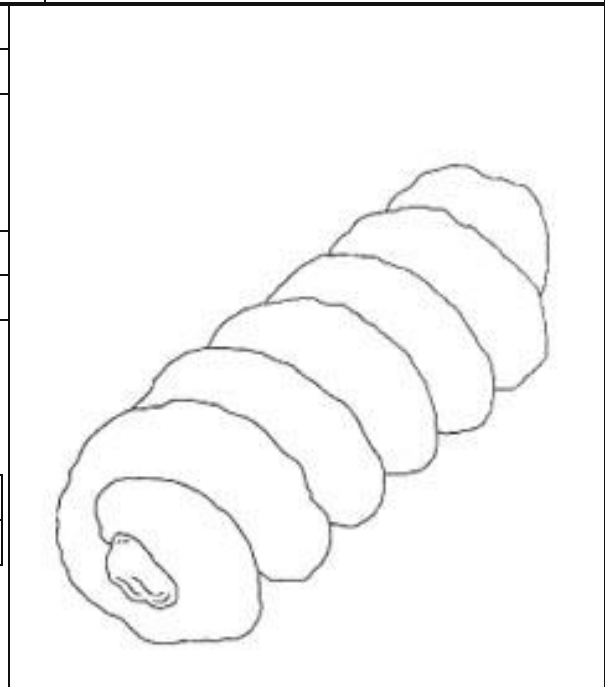


DESIGN NUMBER	251695	
CLASS	14-99	
1)AMAZON TECHNOLOGIES, INC A COMPANY ORGANIZED AND EXISTING UNDER THE LAWS OF UNITED STATES OF AMERICA, HAVING ITS OFFICE AT RENO, NEVADA 89507, PO BOX 8102, UNITED STATES OF AMERICA		
DATE OF REGISTRATION	15/02/2013	
TITLE	ELECTRONIC DEVICE CABLE	
PRIORITY		
PRIORITY NUMBER	DATE	COUNTRY
29/430,010	20/08/2012	U.S.A.

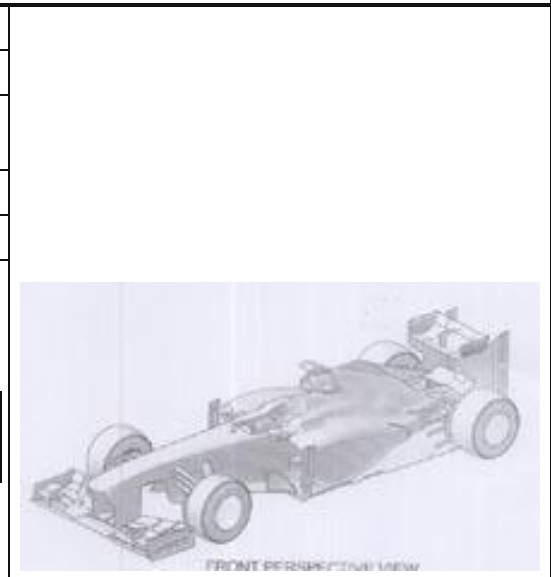


SHEET N°

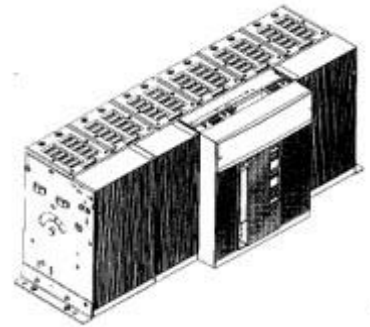
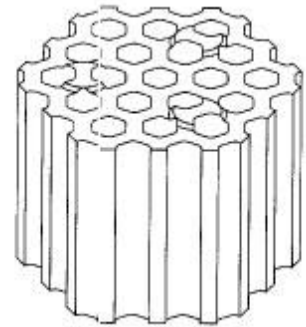
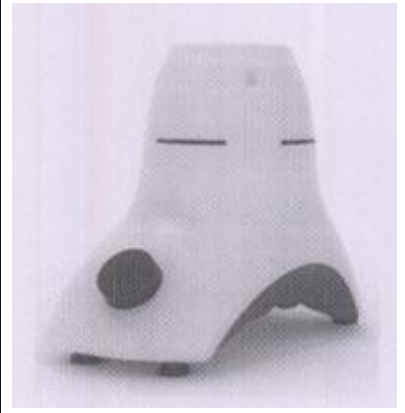
DESIGN NUMBER	253410	
CLASS	01-01	
1)FRIO-LAY NORTH AMERICA, INC., INCORPORATED IN THE STATE OF DELAWARE OF 7701 LEGACY DRIVE, PLANO, TEXAS 75024-4099, UNITED STATES OF AMERICA		
DATE OF REGISTRATION	25/04/2013	
TITLE	SNACK FOOD PRODUCT	
PRIORITY		
PRIORITY NUMBER	DATE	COUNTRY
29/435,817	29/10/2012	U.S.A.



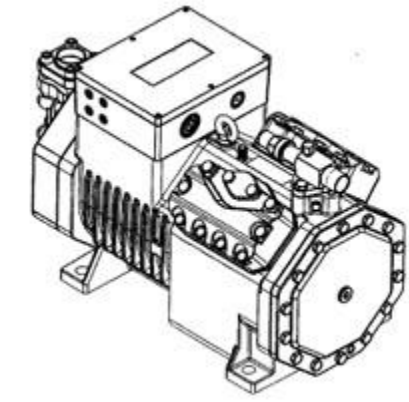
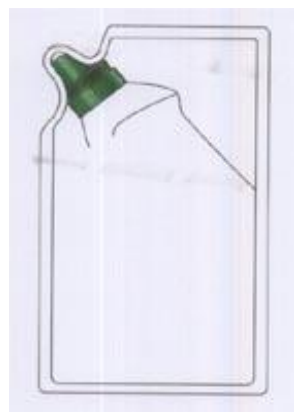
DESIGN NUMBER	254431	
CLASS	12-08	
1)FERRARI S.P.A., AN ITALIAN JOINT STOCK COMPANY OF VIA EMILIA EST 1163 I-41100 MODENA (ITALY)		
DATE OF REGISTRATION	11/06/2013	
TITLE	CAR	
PRIORITY		
PRIORITY NUMBER	DATE	COUNTRY
002174904	30/01/2013	EUROPEAN UNION






DESIGN NUMBER	254535	
CLASS	31-00	
1)ORIENT PAPER & INDUSTRIES LIMITED, OF UNIT - VIII, PLOT NO. 7, BHOINAGAR, BHUBANESHWAR-751012 (ORISSA),, INDIA, AN INDIAN COMPANY		
DATE OF REGISTRATION	17/06/2013	
TITLE	MIXER GRINDER	
PRIORITY NA		
DESIGN NUMBER	252186	
CLASS	23-03	
1)KROSAKI HARIMA CORPORATION, A JAPANESE CORPORATION OF 1-1, HIGASHIHAMAMACHI, YAHATANISHI-KU, KITAKYUSHU-SHI, FUKUOKA, 806-8586, JAPAN		
DATE OF REGISTRATION	07/03/2013	
TITLE	THERMAL STORAGE BRICK FOR AIR- HEATING FURNACE	
PRIORITY		
PRIORITY NUMBER	DATE	COUNTRY
2012-021854	10/09/2012	JAPAN
DESIGN NUMBER	253751	
CLASS	13-03	
1)ABB S.P.A., VIA VITTOR PISANI, 16, I-20124 MILANO, ITALY		
DATE OF REGISTRATION	07/05/2013	
TITLE	CIRCUIT BREAKER	
PRIORITY		
PRIORITY NUMBER	DATE	COUNTRY
002133363	09/11/2012	OHIM

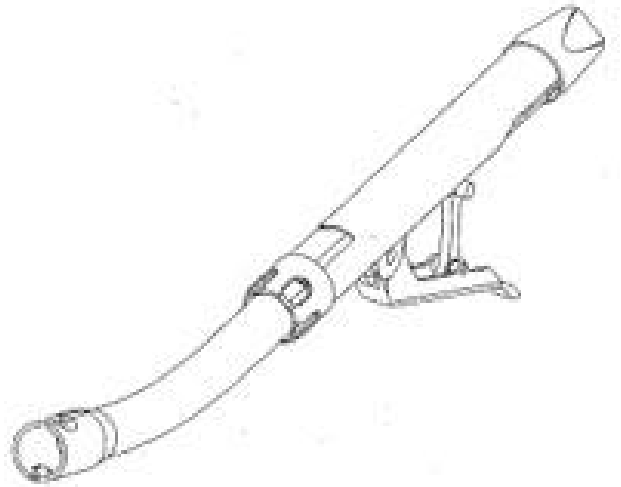


DESIGN NUMBER	254222	
CLASS	11-01	
1)RADIUS CORPORATION LTD. WHOSE ADDRESS IS 57-58, VARDHMAN NAGAR, RAJNANDGAON-491441, STATE-CHHATTISGARH, INDIA A REGISTERED COMPANY SITUATED IN INDIA		
DATE OF REGISTRATION	31/05/2013	
TITLE	JEWELLERY CLASP	
PRIORITY NA		
DESIGN NUMBER	250870	
CLASS	09-05	
1)THE PROCTER & GAMBLE COMPANY, A BODY CORPORATE INCORPORATED UNDER THE LAWS OF UNITED STATES OF AMERICA, HAVING ITS REGISTERED OFFICE AT ONE PROCTER & GAMBLE PLAZA, CINCINNATI, OHIO - 45202, UNITED STATES OF AMERICA		
DATE OF REGISTRATION	08/01/2013	
TITLE	POUCH PACKAGE	
PRIORITY		
PRIORITY NUMBER	DATE	COUNTRY
679865001	10/07/2012	WIPO
DESIGN NUMBER	252240	
CLASS	15-02	
1)BITZER KUEHLMASCHINENBAU GMBH, A LIMITED LIABILITY COMPANY INCORPORATED UNDER THE LAWS OF GERMANY, OF THE ADDRESS ESCHENBRUENNLESTRASSE 15, 71065 SINDELFINGEN, GERMANY		
DATE OF REGISTRATION	11/03/2013	
TITLE	COMPRESSOR	
PRIORITY		
PRIORITY NUMBER	DATE	COUNTRY
002156752	20/12/2012	OHIM

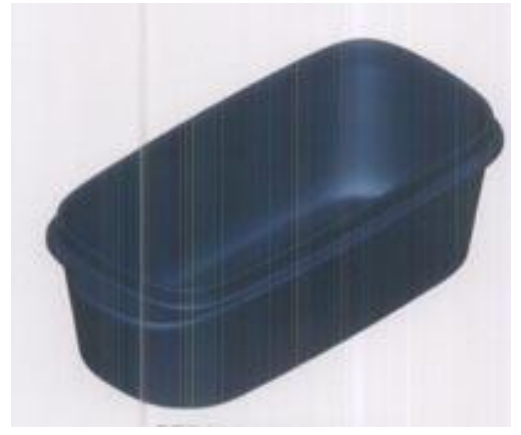


DESIGN NUMBER	251333		
CLASS	14-03		
1)SAMSUNG ELECTRONICS CO., LTD., A KOREAN COMPANY, OF 129, SAMSUNG-RO, YEONGTONG-GU, SUWON-SI, GYEONGGI-DO, 443-742, REPUBLIC OF KOREA			
DATE OF REGISTRATION	31/01/2013		
TITLE	MOBILE PHONE		
PRIORITY			
PRIORITY NUMBER	DATE	COUNTRY	
30-2012-0041300	28/08/2012	REPUBLIC OF KOREA	
DESIGN NUMBER	251343		
CLASS	24-02		
1)SANOFI-AVENTIS DEUTSCHLAND GMBH, A GERMAN COMPANY OF BRUNINGSTRASSE 50, 65929 FRANKFURT AM MAIN, GERMANY			
DATE OF REGISTRATION	31/01/2013		
TITLE	INJECTION DEVICE		
PRIORITY			
PRIORITY NUMBER	DATE	COUNTRY	
002 082 297	01/08/2012	OHIM	
DESIGN NUMBER	254744		
CLASS	07-01		
1)MA DESIGN INDIA PRIVATE LIMITED, A COMPANY INCORPORATED IN INDIA HAVING ITS PRINCIPAL PLACE OF BUSINESS AT A-41, SECTOR-80, PHASE-II, NOIDA-201305, U.P. INDIA			
DATE OF REGISTRATION	25/06/2013		
TITLE	PLATTER		
PRIORITY NA			

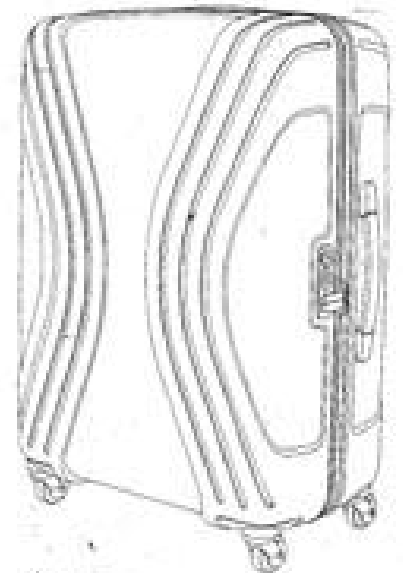
DESIGN NUMBER	251031	
CLASS	24-02	
1)ETHICON ENDO-SURGERY, INC., A CORPORATION OF THE STATE OF OHIO, OF 4545 CREEK ROAD, CINCINNATI, OH 45242, USA		
DATE OF REGISTRATION	18/01/2013	
TITLE	SURGICAL STAPLER HANDLE	
PRIORITY		
PRIORITY NUMBER	DATE	COUNTRY
29/427,603	20/07/2012	U.S.A.



DESIGN NUMBER	251134	
CLASS	07-02	
1)DART INDUSTRIES INC., A CORPORATION FOUNDED UNDER THE LAWS OF DELAWARE, U.S.A. OF 14901 SOUTH ORANGE BLOSSOM TRAIL, ORLANDO, FLORIDA 32837, USA		
DATE OF REGISTRATION	23/01/2013	
TITLE	CONTAINER FOR FOOD	
PRIORITY		
PRIORITY NUMBER	DATE	COUNTRY
29/421,566	16/08/2012	U.S.A.



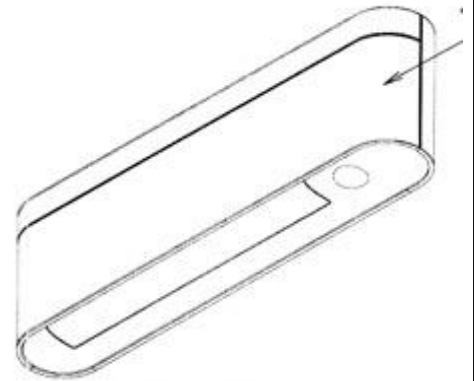
DESIGN NUMBER	253472	
CLASS	03-01	
1)SAMSONITE IP HOLDING S.A.R.L., 13-15 AVENUE DE LA LIBERTE, L-1931 LUXEMBOURG, LUXEMBOURG		
DATE OF REGISTRATION	29/04/2013	
TITLE	LUGGAGE	
PRIORITY		
PRIORITY NUMBER	DATE	COUNTRY
201230527913.0	01/11/2012	CHINA



DESIGN NUMBER	248962	
CLASS	12-16	
1)SAMJUNG INVERTER CO., LTD., A COMPANY EXISTING UNDER THE LAWS OF REPUBLIC OF KOREA, AT 9-37, YEOKCHON-DONG, EUNPYEONG-GU, SEOUL, KOREA		
DATE OF REGISTRATION	23/10/2012	
TITLE	REAR VIEW MIRROR FOR PASSENGER IN REAR SEAT	
PRIORITY		
PRIORITY NUMBER	DATE	COUNTRY
30-2012-0035278	20/07/2012	REPUBLIC OF KOREA

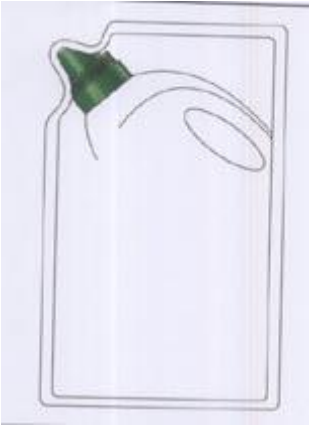
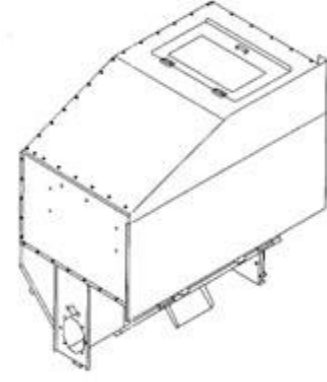
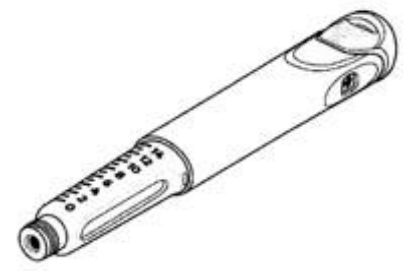


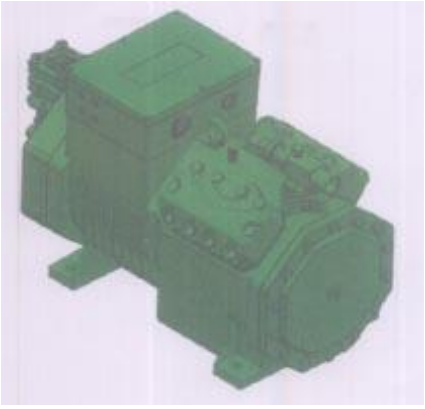
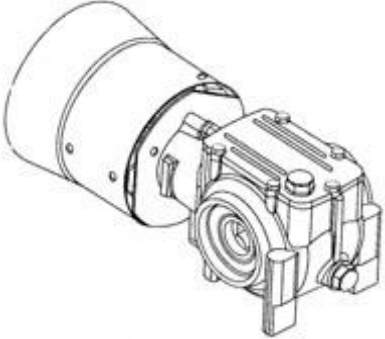

DESIGN NUMBER	254098	
CLASS	23-04	
1)DAIKIN INDUSTRIES LTD. A JAPANESE COMPANY OF THE ADDRESS: UMEDA CENTER BUILDING, 4-12 NAKAZAKI-NISHI 2-CHOME, KITA-KU, OSAKA-SHI, OSAKA-FU, JAPAN		
DATE OF REGISTRATION	27/05/2013	
TITLE	AIR CONDITIONER	
PRIORITY NA		

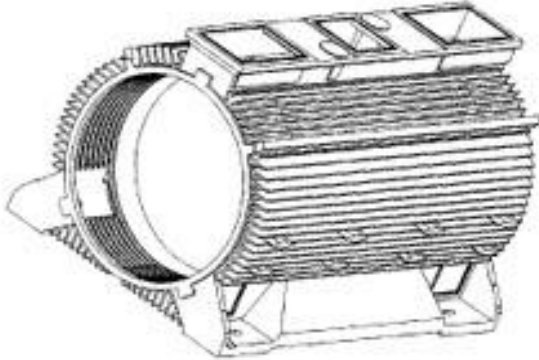


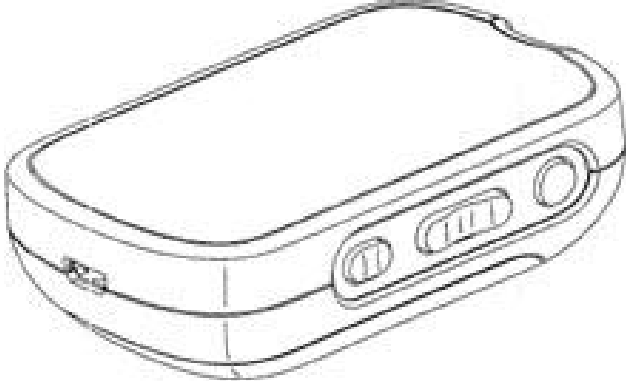
DESIGN NUMBER	254145	
CLASS	15-06	
1)(1) UMESH JAYANTILAL PANCHAL (2) BHARGAVIBEN MEHULKUMAR PANCHAL (3) TARALBEN JIGNESHKUMAR PANCHAL, INDIVIDUALS, ADULT, AN INDIAN NATIONALS, PARTNERS OF GABBAR ENGINEERING CO., A PARTNERSHIP FIRM, NATIONALITY-INDIAN, HAVING ITS OFFICE AT PLOT NO.-1903, PHASE-III, OPP.-KALUPUR COMM. BANK, F-ROAD, G.I.D.C. INDUSTRIAL ESTATE, VATVA, AHMEDABAD-382445, GUJARAT, INDIA		
DATE OF REGISTRATION	29/05/2013	
TITLE	SEWING MACHINE	
PRIORITY NA		




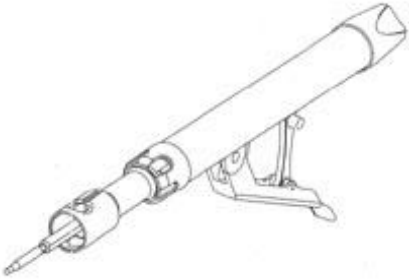
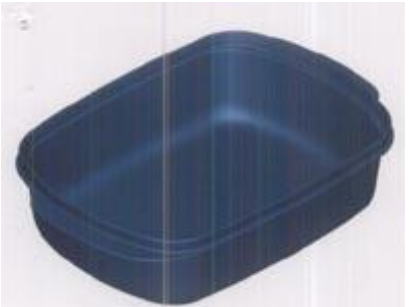
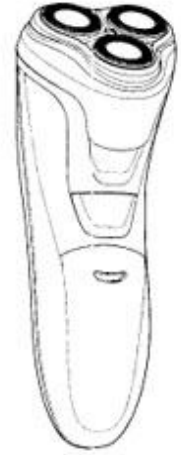
DESIGN NUMBER	250871		
CLASS	09-05		
1)THE PROCTER & GAMBLE COMPANY, A BODY CORPORATE INCORPORATED UNDER THE LAWS OF UNITED STATES OF AMERICA, HAVING ITS REGISTERED OFFICE AT ONE PROCTER & GAMBLE PLAZA, CINCINNATI, OHIO - 45202, UNITED STATES OF AMERICA			
DATE OF REGISTRATION	08/01/2013		
TITLE	POUCH PACKAGE		
PRIORITY			
PRIORITY NUMBER	DATE	COUNTRY	
679865001	10/07/2012	WIPO	
DESIGN NUMBER	250970		
CLASS	15-03		
1)KUBOTA CORPORATION, A JAPANESE CORPORATION OF 2-47, SHIKITSUHIGASHI 1-CHOME, NANIWA-KU, OSAKA-SHI, OSAKA 556-8601, JAPAN			
DATE OF REGISTRATION	14/01/2013		
TITLE	GRAIN STORAGE TANK FOR HARVESTER-THRESHER COMBINE		
PRIORITY			
PRIORITY NUMBER	DATE	COUNTRY	
2012-023746	28/09/2012	JAPAN	
DESIGN NUMBER	250740		
CLASS	24-02		
1)SANOFI-AVENTIS DEUTSCHLAND GMBH, A GERMAN COMPANY OF BRÜNINGSTRASSE 50, 65929 FRANKFURT, GERMANY			
DATE OF REGISTRATION	04/01/2013		
TITLE	INJECTION DEVICE		
PRIORITY			
PRIORITY NUMBER	DATE	COUNTRY	
002 068 791	05/07/2012	OHIM	

DESIGN NUMBER	252241		
CLASS	15-02		
1)BITZER KUEHLMASCHINENBAU GMBH, A LIMITED LIABILITY COMPANY INCORPORATED UNDER THE LAWS OF GERMANY, OF THE ADDRESS ESCHENBRUENNLESTRASSE 15, 71065 SINDELFINGEN, GERMANY			
DATE OF REGISTRATION	11/03/2013		
TITLE	COMPRESSOR		
PRIORITY			
PRIORITY NUMBER	DATE	COUNTRY	
002156752	20/12/2012	EUROPEAN UNION	
DESIGN NUMBER	252373		
CLASS	15-01		
1)HMT LIMITED, TRACTOR DIVISION, PINJORE-134101, DISTT: PANCHKULA (HARYANA) INDIA			
DATE OF REGISTRATION	18/03/2013		
TITLE	GEAR BOX		
PRIORITY NA			
DESIGN NUMBER	254016		
CLASS	08-02		
1)SAURABH BHANDARI (DIRECTOR), NATIONALITY INDIAN TRADING AS GB TOOLS & FORGINGS LTD (LTD COMPANY) WHOES ADDRESS IS 11TH MILE STONE, VPO MAND, KAPURTHALA ROAD, JALANDHAR-144013, PUNJAB			
DATE OF REGISTRATION	22/05/2013		
TITLE	HAND TOOL		
PRIORITY NA			

DESIGN NUMBER	254056	
CLASS	13-01	
1)ABB TECHNOLOGY AG, A SWISS COMPANY OF AFFOLTERNSTRASSE 44, 8050 ZÜRICH, SWITZERLAND		
DATE OF REGISTRATION	23/05/2013	
TITLE	FRAME FOR ELECTRIC MOTOR	
PRIORITY NA		

DESIGN NUMBER	251260	
CLASS	24-02	
1)LIFESCAN SCOTLAND LIMITED, A COMPANY ORGANIZED UNDER THE LAWS OF THE UNITED KINGDOM, OF BEECHWOOD PARK NORTH, INVERNESS, INVERNESS-SHIRE, IV2 3ED, UNITED KINGDOM		
DATE OF REGISTRATION	29/01/2013	
TITLE	ANALYTE TEST METER	
PRIORITY		
PRIORITY NUMBER	DATE	COUNTRY
29/428,385	30/07/2012	U.S.A.

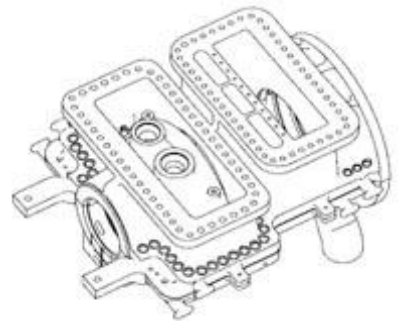
DESIGN NUMBER	254571	
CLASS	11-01	
1)H. K JEWELS PVT. LTD. A COMPANY REGISTERED UNDER COMPANY ACT 1956 OF 1701-A, 17TH FLOOR, THE CAPITAL BUILDING, B-WING, OPP ICICI BANK, BANDRA KURLA COMPLEX, BANDRA (E), MUMBAI-400051, INDIA		
DATE OF REGISTRATION	19/06/2013	
TITLE	NOSE PIN	
PRIORITY NA		

DESIGN NUMBER	251032		
CLASS	24-02		
1)ETHICON ENDO-SURGERY, INC., A CORPORATION OF THE STATE OF OHIO, OF 4545 CREEK ROAD, CINCINNATI, OH 45242, USA			
DATE OF REGISTRATION	18/01/2013		
TITLE	SURGICAL STAPLER HANDLE		
PRIORITY			
PRIORITY NUMBER	DATE	COUNTRY	
29/427,601	20/07/2012	U.S.A.	
DESIGN NUMBER	251127		
CLASS	07-02		
1)DART INDUSTRIES INC., A CORPORATION FOUNDED UNDER THE LAWS OF DELAWARE, U.S.A. OF 14901 SOUTH ORANGE BLOSSOM TRAIL, ORLANDO, FLORIDA 32837, USA			
DATE OF REGISTRATION	23/01/2013		
TITLE	CONTAINER FOR FOOD		
PRIORITY			
PRIORITY NUMBER	DATE	COUNTRY	
29/421,561	16/08/2012	U.S.A.	
DESIGN NUMBER	253485		
CLASS	28-03		
1)KONINKLIJKE PHILIPS ELECTRONICS N.V., A COMPANY ORGANIZED AND EXISTING UNDER THE LAWS OF THE KINGDOM OF THE NETHERLANDS, RESIDING AT EINDHOVEN, WHOSE POST-OFFICE ADDRESS IS HIGH TECH CAMPUS 5, 5656 AE EINDHOVEN, THE NETHERLANDS			
DATE OF REGISTRATION	29/04/2013		
TITLE	THREE HEAD SHAVER		
PRIORITY			
PRIORITY NUMBER	DATE	COUNTRY	
002126607-0001	29/10/2012	OHIM	

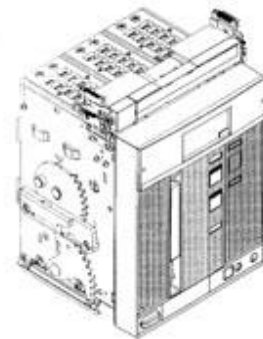
DESIGN NUMBER	254398	
CLASS	12-11	
1)HONDA MOTOR CO., LTD., A JAPANESE CORPORATION, OF 1-1, MINAMI-AOYAMA 2-CHOME, MINATO-KU, TOKYO, JAPAN		
DATE OF REGISTRATION	10/06/2013	
TITLE	MOTOR SCOOTER	
PRIORITY		
PRIORITY NUMBER	DATE	COUNTRY
2012-030698	17/12/2012	JAPAN






DESIGN NUMBER	254522	
CLASS	15-01	
1)TRIVENI TURBINE LIMITED, AN INDIAN COMPANY HAVING ITS PLACE OF BUSINESS AT 12A, PEENYA INDUSTRIAL AREA, BANGLORE-560058		
DATE OF REGISTRATION	14/06/2013	
TITLE	DOUBLE CASING OF A STEAM TURBINE	
PRIORITY NA		

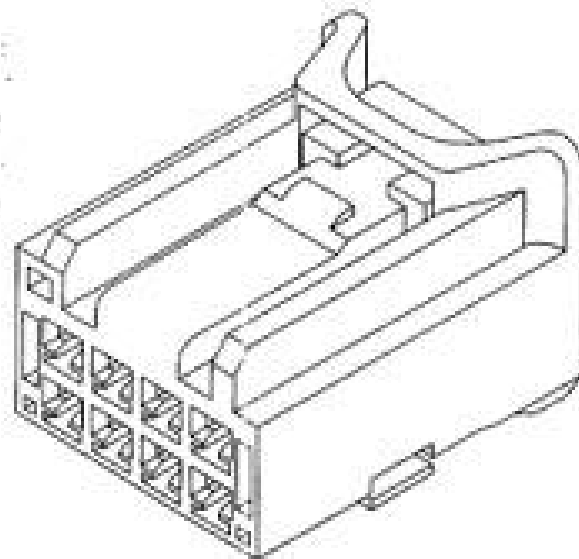


DESIGN NUMBER	253748	
CLASS	13-03	
1)ABB S.P.A., VIA VITTOR PISANI, 16, I-20124 MILANO, ITALY		
DATE OF REGISTRATION	07/05/2013	
TITLE	CIRCUIT BREAKER	
PRIORITY		
PRIORITY NUMBER	DATE	COUNTRY
002133363	09/11/2012	OHIM



DESIGN NUMBER	254220		
CLASS	11-01		
1)RADIUS CORPORATION LTD. WHOSE ADDRESS IS 57-58, VARDHMAN NAGAR, RAJNANDGAON-491441, STATE-CHHATTISGARH, INDIA A REGISTERED COMPANY SITUATED IN INDIA			
DATE OF REGISTRATION	31/05/2013		
TITLE	JEWELLERY CLASP		
PRIORITY NA			
DESIGN NUMBER	250940		
CLASS	26-06		
1)VIGNAL SYSTEMS, A COMPANY INCORPORATED UNDER THE LAWS OF FRANCE, OF 12 RUE EUGÈNE HENAFF, 69200 VENISSIEUX, FRANCE			
DATE OF REGISTRATION	10/01/2013		
TITLE	LIGHTING DEVICE FOR VEHICLES		
PRIORITY			
PRIORITY NUMBER	DATE	COUNTRY	
680195301	11/07/2012	WIPO	
DESIGN NUMBER	252589		
CLASS	19-02		
1)KANIN INDIA, B-XXX-6754, FOCAL POINT, LUDHIANA-141010, PUNJAB, INDIA, AN INDIAN PARTNERSHIP FIRM, WHOSE PARTNERS ARE ARIHANT JAIN, VISHWA JAIN, MS. NEELAM JAIN, MR. AMBRISH JAIN, MR. GAUTAM JAIN, AND MR. AMIT JAIN (ALL INDIAN NATIONALS) HAVING THEIR ADDRESS OF B-XXX-6754, FOCAL POINT, LUDHIANA-141010, PUNJAB INDIA			
DATE OF REGISTRATION	21/03/2013		
TITLE	STAPLER		
PRIORITY			
PRIORITY NUMBER	DATE	COUNTRY	
002183228	13/02/2013	OHIM	

DESIGN NUMBER	252257	
CLASS	13-03	
1)YAZAKI CORPORATION, A JAPANESE CORPORATION OF 4-28, MITA 1-CHOME, MINATO-KU, TOKYO, JAPAN		
DATE OF REGISTRATION	11/03/2013	
TITLE	HOUSING FOR ELECTRIC CONNECTOR	
PRIORITY		
PRIORITY NUMBER	DATE	COUNTRY
2012-022196	13/09/2012	JAPAN





DESIGN NUMBER	252348	
CLASS	31-00	
1)GUANGDONG XINBAO ELECTRICAL APPLIANCES HOLDINGS CO., LTD; A CHINESE COMPANY, OF ZHENGHENAN ROAD, LELIU TOWN, SHUNDE DISTRICT, FOSHAN CITY, GUANGDONG PROVINCE 528322, CHINA		
DATE OF REGISTRATION	15/03/2013	
TITLE	BREAD MAKER	
PRIORITY		
PRIORITY NUMBER	DATE	COUNTRY
201230442941.2	17/09/2012	CHINA

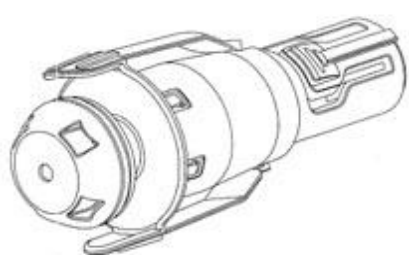


DESIGN NUMBER	251341	
CLASS	24-02	
1)SANOFI-AVENTIS DEUTSCHLAND GMBH, A GERMAN COMPANY OF BRUNINGSTRASSE 50, 65929 FRANKFURT AM MAIN, GERMANY		
DATE OF REGISTRATION	31/01/2013	
TITLE	INJECTION DEVICE	
PRIORITY		
PRIORITY NUMBER	DATE	COUNTRY
002 082 297	01/08/2012	OHIM


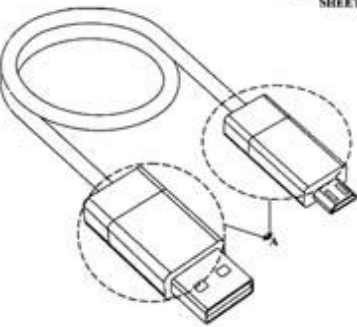
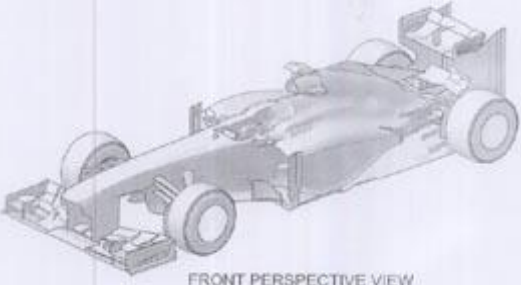


DESIGN NUMBER	254717	
CLASS	19-02	
1)MA DESIGN INDIA PRIVATE LIMITED, A COMPANY INCORPORATED IN INDIA HAVING ITS PRINCIPAL PLACE OF BUSINESS AT A-41, SECTOR-80, PHASE-II, NOIDA-201305, U.P. INDIA		
DATE OF REGISTRATION	25/06/2013	
TITLE	PAPER KNIFE	
PRIORITY NA		

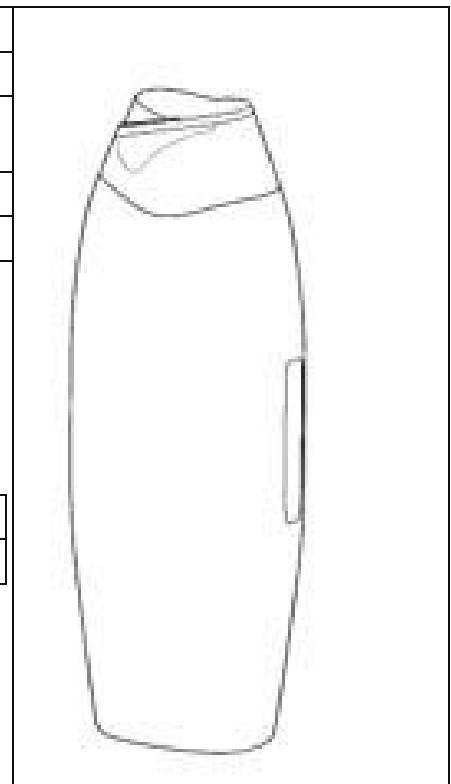
DESIGN NUMBER	252735		
CLASS	24-02		
1)KONINKLIJKE PHILIPS ELECTRONICS N.V., A COMPANY ORGANIZED AND EXISTING UNDER THE LAWS OF THE KINGDOM OF THE NETHERLANDS, RESIDING AT EINDHOVEN, WHOSE POST-OFFICE ADDRESS IS HIGH TECH CAMPUS 5, 5656 AE EINDHOVEN, THE NETHERLANDS			
DATE OF REGISTRATION	01/04/2013		
TITLE	HEADGEAR CLIP FOR PATIENT INTERFACE ASSEMBLY		
PRIORITY			
PRIORITY NUMBER	DATE	COUNTRY	
002112755-0006	30/10/2012	OHIM	

DESIGN NUMBER	251029		
CLASS	24-02		
1)ETHICON ENDO-SURGERY, INC., A CORPORATION OF THE STATE OF OHIO, OF 4545 CREEK ROAD, CINCINNATI, OH 45242, USA			
DATE OF REGISTRATION	18/01/2013		
TITLE	SURGICAL STAPLER CARTRIDGE		
PRIORITY			
PRIORITY NUMBER	DATE	COUNTRY	
29/427,602	20/07/2012	U.S.A.	

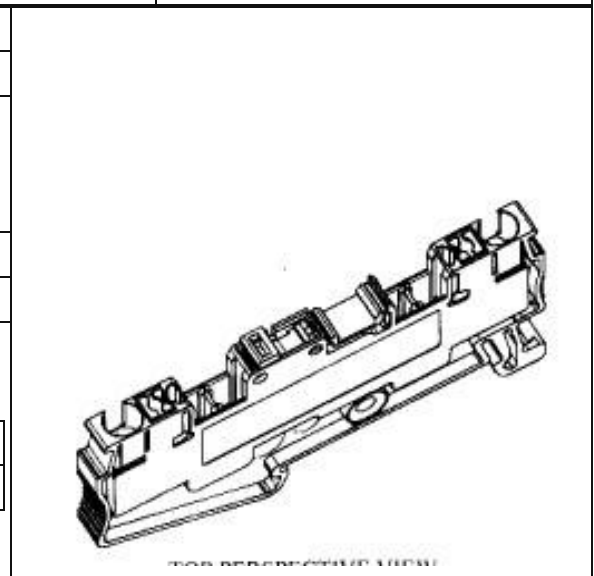
DESIGN NUMBER	251132		
CLASS	07-02		
1)DART INDUSTRIES INC., A CORPORATION FOUNDED UNDER THE LAWS OF DELAWARE, U.S.A. OF 14901 SOUTH ORANGE BLOSSOM TRAIL, ORLANDO, FLORIDA 32837, USA			
DATE OF REGISTRATION	23/01/2013		
TITLE	CONTAINER FOR FOOD		
PRIORITY			
PRIORITY NUMBER	DATE	COUNTRY	
29/421,569	16/08/2012	U.S.A.	
DESIGN NUMBER	251140		
CLASS	07-02		
1)DART INDUSTRIES INC., A CORPORATION FOUNDED UNDER THE LAWS OF DELAWARE, U.S.A. OF 14901 SOUTH ORANGE BLOSSOM TRAIL, ORLANDO, FLORIDA 32837, USA			
DATE OF REGISTRATION	23/01/2013		
TITLE	CONTAINER FOR FOOD		
PRIORITY			
PRIORITY NUMBER	DATE	COUNTRY	
29/421,570	16/08/2012	U.S.A.	
DESIGN NUMBER	251187		
CLASS	12-08		
1)TOYOTA JIDOSHA KABUSHIKI KAISHA, A JAPANESE CO., OF 1, TOYOTA-CHO, TOYOTA-SHI, AICHI-KEN, 471-8571, JAPAN			
DATE OF REGISTRATION	24/01/2013		
TITLE	CAR		
PRIORITY			
PRIORITY NUMBER	DATE	COUNTRY	
2012-017853	27/07/2012	JAPAN	

DESIGN NUMBER	251539		
CLASS	15-03		
1)PUBERT HENRI SAS., OF ROUTE DE POUZAUGES-ZI DE PIERRE BRUNE, 85110 CHANTONNAY, FRANCE; NATIONALITY: FRENCH			
DATE OF REGISTRATION	08/02/2013		
TITLE	MOTOR HOE		
PRIORITY			
PRIORITY NUMBER	DATE	COUNTRY	
002091454-0002	23/08/2012	OHIM	
DESIGN NUMBER	251696		
CLASS	14-99		
1)AMAZON TECHNOLOGIES, INC, A COMPANY ORGANIZED AND EXISTING UNDER THE LAWS OF UNITED STATES OF AMERICA, HAVING ITS OFFICE AT RENO, NEVADA 89507, PO BOX 8102, UNITED STATES OF AMERICA			
DATE OF REGISTRATION	15/02/2013		
TITLE	ELECTRONIC DEVICE CABLE		
PRIORITY			
PRIORITY NUMBER	DATE	COUNTRY	
29/430,010	20/08/2012	U.S.A.	
DESIGN NUMBER	254432		
CLASS	21-01		
1)FERRARI S.P.A., AN ITALIAN JOINT STOCK COMPANY OF VIA EMILIA EST 1163 I-41100 MODENA (ITALY)			
DATE OF REGISTRATION	11/06/2013		
TITLE	TOY-CAR		
PRIORITY			
PRIORITY NUMBER	DATE	COUNTRY	
002174920	30/01/2013	EUROPEAN UNION	

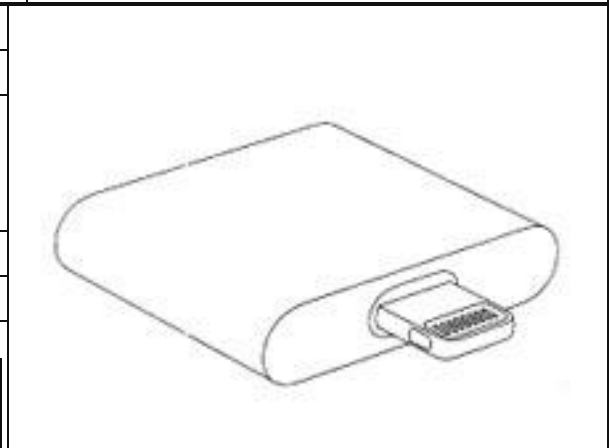
DESIGN NUMBER	248971	
CLASS	09-03	
1)COLGATE-PALMOLIVE COMPANY, A DELAWARE CORPORATION, 300 PARK AVENUE, NEW YORK, NEW YORK 10022, USA		
DATE OF REGISTRATION	23/10/2012	
TITLE	CONTAINER	
PRIORITY		
PRIORITY NUMBER	DATE	COUNTRY
29/423,998	07/06/2012	U.S.A.



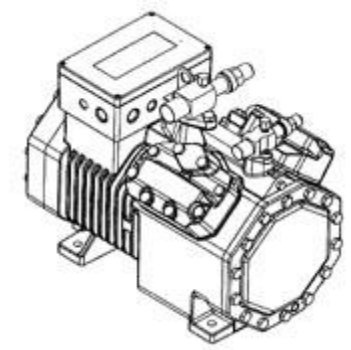


DESIGN NUMBER	249617	
CLASS	13-03	
1)PHOENIX CONTACT GMBH & CO. KG; A GERMAN COMPANY OF BRUNO MUTH; FLACHSMARKTSTR. 8, D-32825 BLOMBERG, GERMANY		
DATE OF REGISTRATION	21/11/2012	
TITLE	ELECTRICAL CONNECTOR	
PRIORITY		
PRIORITY NUMBER	DATE	COUNTRY
002056028-0001	12/06/2012	OHIM

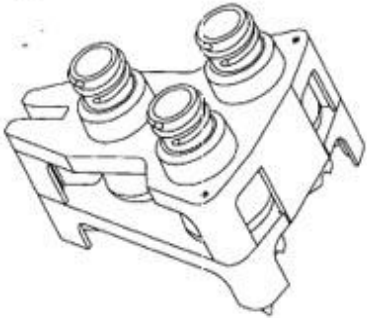
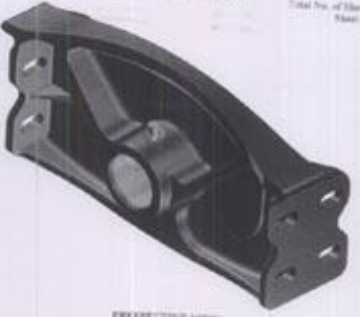



DESIGN NUMBER	251973	
CLASS	14-02	
1)APPLE INC., 1 INFINITE LOOP, CUPERTINO, CALIFORNIA 95014, UNITED STATES OF AMERICA, A CORPORATION INCORPORATED IN THE STATE OF CALIFORNIA		
DATE OF REGISTRATION	01/03/2013	
TITLE	ADAPTER FOR ELECTRONIC DEVICE	
PRIORITY		
PRIORITY NUMBER	DATE	COUNTRY
29/431,556	07/09/2012	U.S.A.



DESIGN NUMBER	254146		
CLASS	15-06		
1)(1) UMESH JAYANTILAL PANCHAL (2) BHARGAVIBEN MEHULKUMAR PANCHAL (3) TARALBEN JIGNESHKUMAR PANCHAL, INDIVIDUALS, ADULT, AN INDIAN NATIONALS, PARTNERS OF GABBAR ENGINEERING CO., A PARTNERSHIP FIRM, NATIONALITY-INDIAN, HAVING ITS OFFICE AT PLOT NO.-1903, PHASE-III, OPP.-KALUPUR COMM. BANK, F-ROAD, G.I.D.C. INDUSTRIAL ESTATE, VATVA, AHMEDABAD-382445, GUJARAT, INDIA			
DATE OF REGISTRATION	29/05/2013		
TITLE	SEWING MACHINE		
PRIORITY NA			
DESIGN NUMBER	254201		
CLASS	14-99		
1)SAMSUNG ELECTRONICS CO., LTD. 129, SAMSUNG-RO, YEONGTONG-GU, SUWON-SI, GYEONGGI-DO, 443-742, REPUBLIC OF KOREA, A COMPANY OF REPUBLIC OF KOREA			
DATE OF REGISTRATION	30/05/2013		
TITLE	CASE FOR ELECTRONIC DEVICE		
PRIORITY			
PRIORITY NUMBER	DATE	COUNTRY	
30-2013-0012853	13/03/2013	REPUBLIC OF KOREA	
PRIORITY NA			
DESIGN NUMBER	254225		
CLASS	02-04		
1)DELHI PLASTIC, T-1/118, MANGOLPURI INDUSTRIAL AREA, PHASE-1, DELHI-110083, INDIA. (AN INDIAN PROPRIETORSHIP FIRM WHOSE PROPRIETOR IS :-SH. ANIL BANSAL. AN INDIAN NATIONAL OF THE ABOVE ADDRESS			
DATE OF REGISTRATION	31/05/2013		
TITLE	SHOE		
PRIORITY NA			

DESIGN NUMBER	252242		
CLASS	15-02		
1)BITZER KUEHLMASCHINENBAU GMBH, A LIMITED LIABILITY COMPANY INCORPORATED UNDER THE LAWS OF GERMANY, OF THE ADDRESS ESCHENBRUENNLESTRASSE 15, 71065 SINDELFINGEN, GERMANY			
DATE OF REGISTRATION	11/03/2013		
TITLE	COMPRESSOR		
PRIORITY			
PRIORITY NUMBER	DATE	COUNTRY	
002156752	20/12/2012	EUROPEAN UNION	
DESIGN NUMBER	251447		
CLASS	24-01		
1)LOTEX ENGINEERING WORKS, RAIKOT ROAD, NEAR PNB BANK, SANGHERA, BARNALA-147001 (PUNJAB) INDIA AN INDIAN PROPRIETORSHIP FIRM WHOSE PROPRIETOR IS :- BALWINDER SINGH BEING INDIAN NATIONALS OF THE ABOVE ADDRESS			
DATE OF REGISTRATION	06/02/2013		
TITLE	BLOOD CIRCULATION MACHINE		
PRIORITY NA			
DESIGN NUMBER	254588		
CLASS	19-06		
1)SHAH & SHAH, AN INDIAN PROPRIETORSHIP FIRM WHOSE PROPRIETOR IS KESHU BHAI SHAH, AN INDIAN NATIONAL OF 70, CANNING STREET, 1ST FLOOR, KOLKATA 700001, STATE OF WEST BENGAL, INDIA			
DATE OF REGISTRATION	19/06/2013		
TITLE	PEN		
PRIORITY NA			

DESIGN NUMBER	250438		
CLASS	24-01		
1)KYOWA MEDEX CO., LTD., A COMPANY ORGANIZED AND EXISTING UNDER THE LAWS OF JAPAN, OF 1-8-10, HARUMI, CHUO-KU, TOKYO 104-6004, JAPAN			
DATE OF REGISTRATION	24/12/2012		
TITLE	REAGENT CASSETTE		
PRIORITY			
PRIORITY NUMBER	DATE	COUNTRY	
2012-014949	25/06/2012	JAPAN	
DESIGN NUMBER	252709		
CLASS	12-16		
1)HYVA HOLDING B.V. OF THE ADDRESS ONDERNEMINGSWEG 1, NL-2404 HM ALPHEN AAN DEN RIJN, THE NETHERLANDS			
DATE OF REGISTRATION	28/03/2013		
TITLE	CHASSIS BRACKET		
PRIORITY			
PRIORITY NUMBER	DATE	COUNTRY	
002209940	27/03/2013	OHIM	
DESIGN NUMBER	252740		
CLASS	06-01		
1)FORMWAY FURNITURE LIMITED, 43B SEAVIEW ROAD, LOWER HUTT, WELLINGTON 5010, NEW ZEALAND, A NEW ZEALAND COMPANY			
DATE OF REGISTRATION	01/04/2013		
TITLE	CHAIR		
PRIORITY			
PRIORITY NUMBER	DATE	COUNTRY	
29/433,784	04/10/2012	U.S.A.	

DESIGN NUMBER	253381	
CLASS	13-02	
1)SU-KAM POWER SYSTEMS LTD. OF PLOT NO. WZ-1401/2, NANGAL RAYA, NEW DELHI-110046, INDIA, AN INDIAN COMPANY		
DATE OF REGISTRATION	23/04/2013	
TITLE	POWER PROTECTION SYSTEM	
PRIORITY NA		
DESIGN NUMBER	254399	
CLASS	12-16	
1)HONDA MOTOR CO., LTD., A JAPANESE CORPORATION, OF 1-1, MINAMI-AOYAMA 2-CHOME, MINATO-KU, TOKYO, JAPAN		
DATE OF REGISTRATION	10/06/2013	
TITLE	FRONT COVER FOR MOTOR SCOOTER	
PRIORITY		
PRIORITY NUMBER	DATE	COUNTRY
2012-030699	17/12/2012	JAPAN

